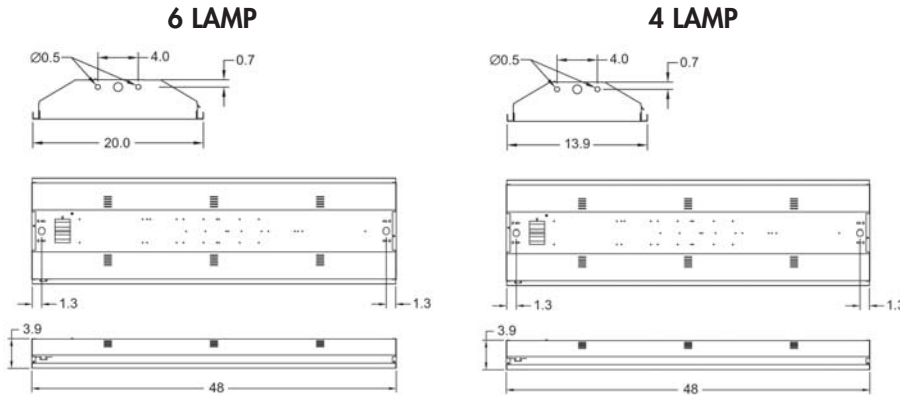


FBE FLUORESCENT HIGH BAY

The FBE Fluorescent High Bay Luminaire utilizes 95% reflective specular aluminum reflectors for an efficient alternative in industrial lighting applications.

DIMENSIONS



Note: Emergency ballasts and multi-level switching require cords, cords & plugs or flex with four or more conductors.

SAMPLE CATALOG NUMBER: FBE632-UNV-2/3-EBH

FAMILY	LAMP TYPE/WATTAGE	VOLTAGE	OPTIONS	BALLAST
FBE	32 - 32WT8 (48") 54HO - 54WT5HO (46")	UNV (108-305V) HRV (347-480)* 120 277 347 480*	GLR# - Fusing, fast blow (# = number of ballasts) WC3 - Wired 3' Cord WP3 - Wired 3' Cord and Plug Assembly (must specify voltage) PAF - Painted after fabrication WT - Optional White Reflector E7 - DEB-7 emerg. ballast, T8 lamps, 600 - 700 lumens E5 - DEB-5 emerg. ballast, T8 lamps, 1100 - 1400 lumens E7LP - DEB-7LP emerg. ballast, T5/T5HO/T8 lamps, 430 - 700 lumens E6LP - DEB-6LP emerg. ballast, T5/T5HO/T8 lamps, 750 - 1325 lumens LPT841 - Installed T8/T5/T5HO lamps, 80+ CRI, 4100K (See page 189 for additional lamps)	1/4-EB - One 4 lamp Electronic Ballast (54WT5HO Only) 1/4-EB-2LS - One 4 lamp Electronic Ballast with 2 level switching (54WT5HO Only) 1/4-EBH - One 4 lamp Electronic Ballast, High Ballast Factor (32wT8 Only) 2/2-EB - Two 2 lamp Electronic Ballasts (54WT5HO Only) 2/2-EBH - Two 2 lamp Electronic Ballasts-High Ballast Factor (32wT8 Only) 2/3-EBH - Two 3 lamp Electronic Ballasts-High Ballast Factor (32wT8 Only) 3/2-EBH - Three 2 lamp Electronic Ballasts-High Ballast Factor (32wT8 Only) 1/42-EBH - One 4 lamp and one 2 lamp Electronic Ballast-High Ballast Factor (32W T8 Only) 1/42-EB - One 4 lamp and one 2 lamp Electronic Ballast (54WT54HO Only)
	LAMP QUANTITY			
	4 6			
		*54HO: 1/4-EB, 2/2-EB, 3/2-EB and 1/42-EB only. 32T8: 2/3-EBH and 2/2-EBH only.		

Features

- Steel housing is multi-stage phosphate treated for maximum corrosion resistance and finish coat is high reflectance baked white enamel.
- Contoured reflectors are fabricated from 95% reflective specular aluminum to maximize luminaire efficiency and control light distribution.
- Optional heavy duty mounting chains and hangers (ordered separately).
- Rotating ring, locking type lampholders for T5 HO lamps and locking type for T8 lamps.
- Optional cord and plug assembly for easy electrical disconnect.
- UL 1598 listed for use in 40°C ambient and damp location applications.



General Notes:

All options are factory installed.
All accessories are field installed.
Data subject to change without notice

Accessories (order separately)

- FBF/FBE Chain Kit** - Chain Kit
- MD180** - Motion Detector with linear coverage (e.g. aisles)
 - MD360** - Motion Detector with circular coverage (e.g. open areas)
 - MD360-480** - Motion Detector (480)
 - WG-FBE4** - 4 Lamp Wire Guard
 - WG-FBE6** - 6 Lamp Wire Guard
 - TSMTG** - Mounting Plate with Chains & Hooks
 - TSNLENS** - Drop Lens with End Caps, 4 lamp
 - TSWLENS** - Drop Lens with End Caps, 6 lamp

See page 665 for additional options and accessories

For more information concerning the FBE Fluorescent High Bay Luminaire, consult specification sheet number **HB-10036** in your Day-Brite HID binder, or go to www.dcolighting.com

FBE

FBE FLUORESCENT HIGH BAY

Day-Brite® Lighting