

NITE BRITES

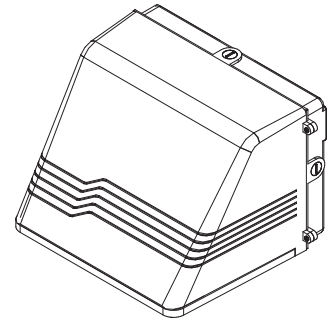
JOB NAME _____

TYPE _____

WCM-MEDIUM CUTOFF WALL PACK

50-175 watt Metal Halide
50-150 watt High Pressure Sodium
26-42 watt Compact Fluorescent

The WCM Medium Cutoff Wall Pack offers a sleek design and cutoff performance with a wide range of uses. It delivers the lighting needed for the exteriors of retail buildings, businesses, walkways, underpasses or entrance doors.



ORDERING MATRIX

SAMPLE CATALOG NUMBER: WCM175MMT-LP

WCM	□	□	□	-	□
FAMILY WCM		LAMP SOURCE			OPTIONS (add as suffix)
		C - Compact Fluorescent Single Lamp			LP - Lamp with fixture
		D - Compact Fluorescent Dual Lamp			WDF - Wired Double Fuse ⁴⁵
		M - Metal Halide			WSF - Wired Single Fuse ⁴⁶
		S - High Pressure Sodium			
	WATTAGE		VOLTAGE		
	26C - 26CFL ⁷²		12 - 120		
	32C - 32CFL ⁷²		20 - 208		
	42C - 42CFL ⁷²		24 - 240		
	050 - 50 ⁵		27 - 277		
	070 - 70		MT - 120/208		
	100 - 100		240/277		
	150 - 150		U - Universal		
	175 - 175 ¹		108-305 volts		
			50Hz or 60Hz ⁷²		

Footnotes:

- ¹Metal Halide only.
- ²DT only.
- ⁴⁵Use with 208, 240, and 480 volt.
- ⁴⁶Use with 120, 277, and 347 volt.
- ⁷²Compact fluorescent only

General Notes:

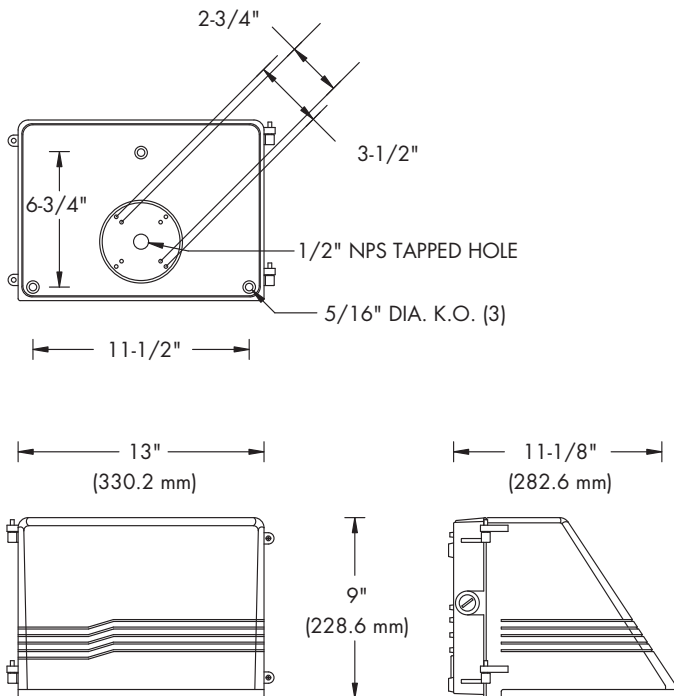
- All options are factory installed.
- Medium Base lamp only.
- GX24q lamp base for compact fluorescent
- All accessories are field installed.

Warning: Refer to and follow the lamp manufacturer's warnings and instructions.

ACCESSORIES (order separately)

- WGWCM - Wire Guard
 - RDA-WCM - Replacement Door Assembly
 - PEC-MT - Photo Control multi-volt
 - PEC-48 - Photo Control 480 volt
- (For additional descriptions of Wall Light accessories refer to sheet number OA-50030.)

DIMENSIONS



ENERGY DATA

HIGH PRESSURE SODIUM

HX-HPF BALLAST INPUT WATTS
50 watt-66 watts
70 watt-91 watts
100 watt-130 watts
150 watt-188 watts

METAL HALIDE

HX-HPF BALLAST INPUT WATTS
50 watt-72 watts
70 watt-90 watts
100 watt-129 watts
150 watt-189 watts

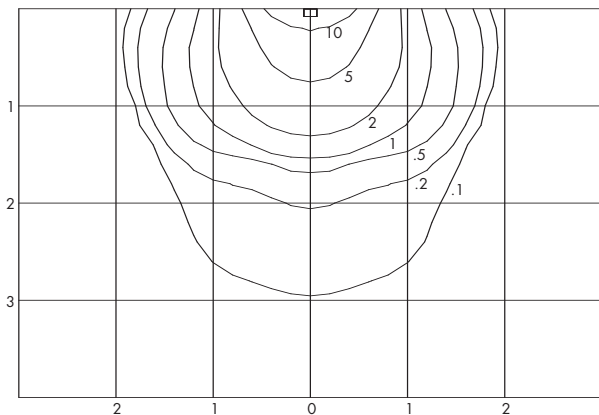
CWA BALLAST INPUT WATTS
175 watt-210 watts

COMPACT FLUORESCENT

26 watt-29 watts
32 watt-36 watts
42 watt-48 watts

WEIGHT = 23 lbs. (max.)

PHOTOMETRICS



UNITS SHOWN IN TERMS OF MOUNTING HEIGHT
INITIAL FOOTCANDLES SHOWN

CATALOG NUMBER: WCM175M
 TEST NUMBER: 248662
 LAMP: METAL HALIDE
 WATTAGE: 175
 LUMENS: 14,400
 TILT ANGLE: 0°
 MOUNTING HEIGHT: 15 FEET

LIGHT LEVEL MULTIPLYING FACTORS	
MOUNTING HEIGHT	MULTIPLIER
25'	0.36
20'	0.56
15'	1.00
12'	1.56
10'	2.25
8'	3.52

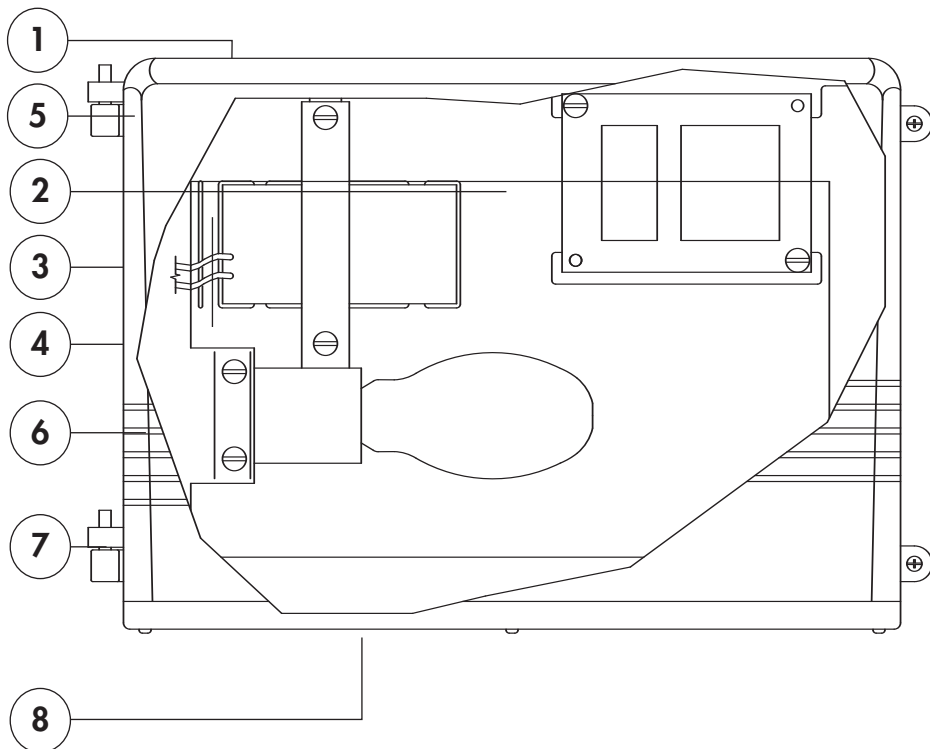
ADDITIONAL TEST NUMBERS

DESCRIPTION/CATALOG NUMBER	TEST NUMBER
WCM035S	24862
WCM050S	24862P
WCM070S	248622
WCM100S	24864P
WCM150S	24864
WCM050M	24865
WCM070M	24865P
WCM100M	24866
WCM150M	24866P

PRODUCT FEATURES

UL 1598 Listed wet location, 25°C ambient, and feed-through wiring for all lamp wattages listed.

1. Heavy duty two piece, die cast aluminum housing.
2. Aluminum reflector.
3. Silicone gasketing provides protection against moisture.
4. Mounts directly to 3-1/2" octagon or 4" square outlet box.
5. 1/2" NPS tapped holes provided in three locations for surface conduit entry or optional photo control.
6. Dark bronze polyester powder finish for impact, corrosion and UV resistance.
7. Integral cast-in aluminum hinges.
8. Clear tempered glass lens is thermal and shock resistant.



Visit our web site at www.daybritelighting.com

776 South Green Street Tupelo, MS 38804 Phone: 662-842-7212 Fax: 662-841-5501

189 Bullock Drive Markham, Ontario Canada L3P 1W4 Phone: 905-294-9570 Fax: 905-294-8911
 Day-Brite Lighting reserves the right to make changes without notice. ©October 2007. DL.5M1007

WL-43170.1

Day-Brite® Lighting
 a Genlyte company