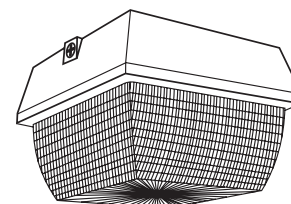


Morlite Vandal/Security

**VSS Series Surface Mount
Square Luminaire**

50-150 Watt Metal Halide
35-150 Watt High Pressure Sodium
26W & 42W Double Compact
Fluorescent



Specifier's Reference

Project
Type
Model No.
Comments

application

- Recommended for exterior applications prone to vandalism and abuse. Designed for areas where safety and security are critical.

construction and finish

- Heavy duty die cast housing is finished in dark bronze.
- Lens is clear prismatic polycarbonate and UV stabilized, nominal thickness .125".
- One piece silicone gasket seals perimeter to prevent moisture and contaminants from entering luminaire.
- Three 1/2" threaded plugs for conduit entry.
- Stainless steel TORX® T15 pin-in-head tamperproof screws.

electrical

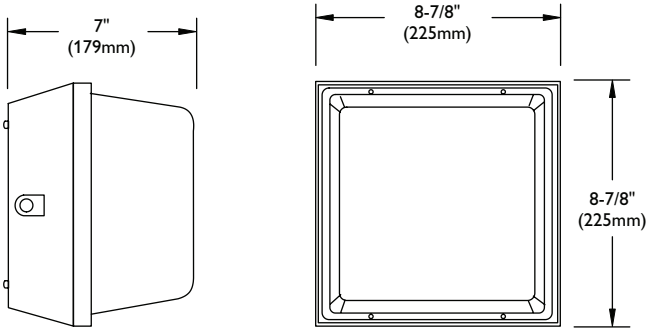
- UL 1598 Listed for wet location when wall mounted or in covered ceiling applications.

Green Choice:

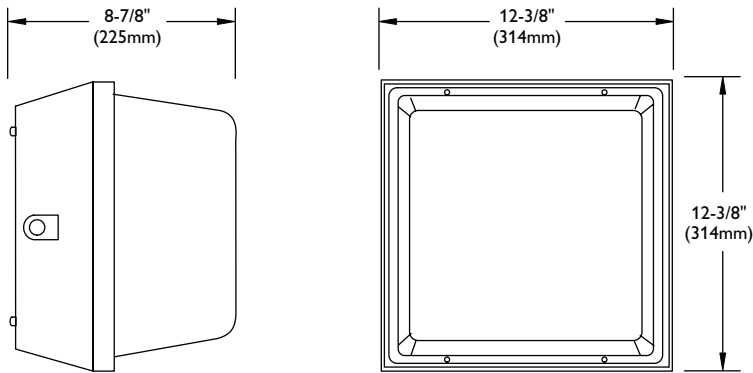
Catalog No.	Family	Housing Size	No. Lamps/ Lamp Source	Voltage	Lamp Included
VSS426CDMT	Square	8x8	(2) 26W Compact Fluorescent	Multi-Tap	Yes
VSS4035S12	Square	8x8	(1) 35 Watt HPS	120 volt	Yes
VSS4050S12	Square	8x8	(1) 50 Watt HPS	120 volt	Yes
VSS4070S12	Square	8x8	(1) 70 Watt HPS	120 volt	Yes
VSS4100S12	Square	8x8	(1) 100 Watt HPS	120 volt	Yes
VSS4050MMT	Square	8x8	(1) 50 Watt MH	Multi-Tap	Yes
VSS4070MMT	Square	8x8	(1) 70 Watt MH	Multi-Tap	Yes
VSS542CDMT	Square	12x12	(2) 42 Watt Compact Fluorescent	Multi-Tap	Yes
VSS5050S12	Square	12x12	(1) 50 Watt HPS	120 volt	Yes
VSS5070S12	Square	12x12	(1) 70 Watt HPS	120 volt	Yes
VSS5100S12	Square	12x12	(1) 100 Watt HPS	120 volt	Yes
VSS5150S12	Square	12x12	(1) 150 Watt HPS	120 volt	Yes
VSS5050MMT	Square	12x12	(1) 50 Watt MH	Multi-Tap	Yes
VSS5070MMT	Square	12x12	(1) 70 Watt MH	Multi-Tap	Yes
VSS5100MMT	Square	12x12	(1) 100 Watt MH	Multi-Tap	Yes
VSS5150MMT	Square	12x12	(1) 150 Watt MH	Multi-Tap	Yes

dimensions

VSS4 - 8x8 Housing



VSS5 - 12x12 Housing



©2011 Philips Day-Brite
All rights reserved.

776 South Green Street • Tupelo, MS 38804
p. 800.234.1890 • f. 662.841.5501 • www.daybrite.com
Canadian Division
189 Bullock Drive • Markham, Ontario L3P 1W4
p. 905.294.9570 • f. 905.294.9811

Contact Factory for Additional Configurations.
Specifications are subject to change without notice.
Consult website for latest version of this spec sheet.

Some luminaires use fluorescent or high intensity discharge (HID) lamps that contain small amounts of mercury. Such lamps are labeled, "Contain Mercury" and/or the symbol "HG". Lamps that contain mercury must be disposed of in accordance with local requirements. Information regarding lamp recycling and disposal can be found at www.lamprecycle.org

