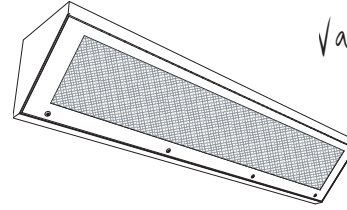


JOB NAME _____

TYPE _____



Vandal Resistant
by Day-Brite Lighting



MAX CL SERIES CORNER MOUNT LINEAR FLUORESCENT

MEDIUM AND MAXIMUM SECURITY WITH HINGED DOOR

STANDARDS

- ETL (US/Canada) listing, Wet location listing.

CONSTRUCTION/FINISH

- Cold rolled steel one-piece die-formed welded housing. Optional stainless steel housing available.
- One piece die-formed cold rolled steel door in gauge to match housing. Available in brushed stainless steel as an option.
- Steel 1/4" diameter knuckle, continuous piano hinge with welded pin ends. Hinge welded to housing and door.
- Fully recessed, captive center pin reject Allen head fasteners standard. Contact factory for optional fasteners.
- Standard baked white polyester powder coat paint finish.

LENS

- Clear polycarbonate lens is standard. Optional lenses are available.
- Lens retention is accomplished by vertically adjustable "Z" shaped retaining angles secured by through studs and die cast locknuts in gauge to match housing.

ELECTRICAL

- Standard Class P, sound rated A electronic ballasts.
- Optional self-contained emergency ballasts can be incorporated.

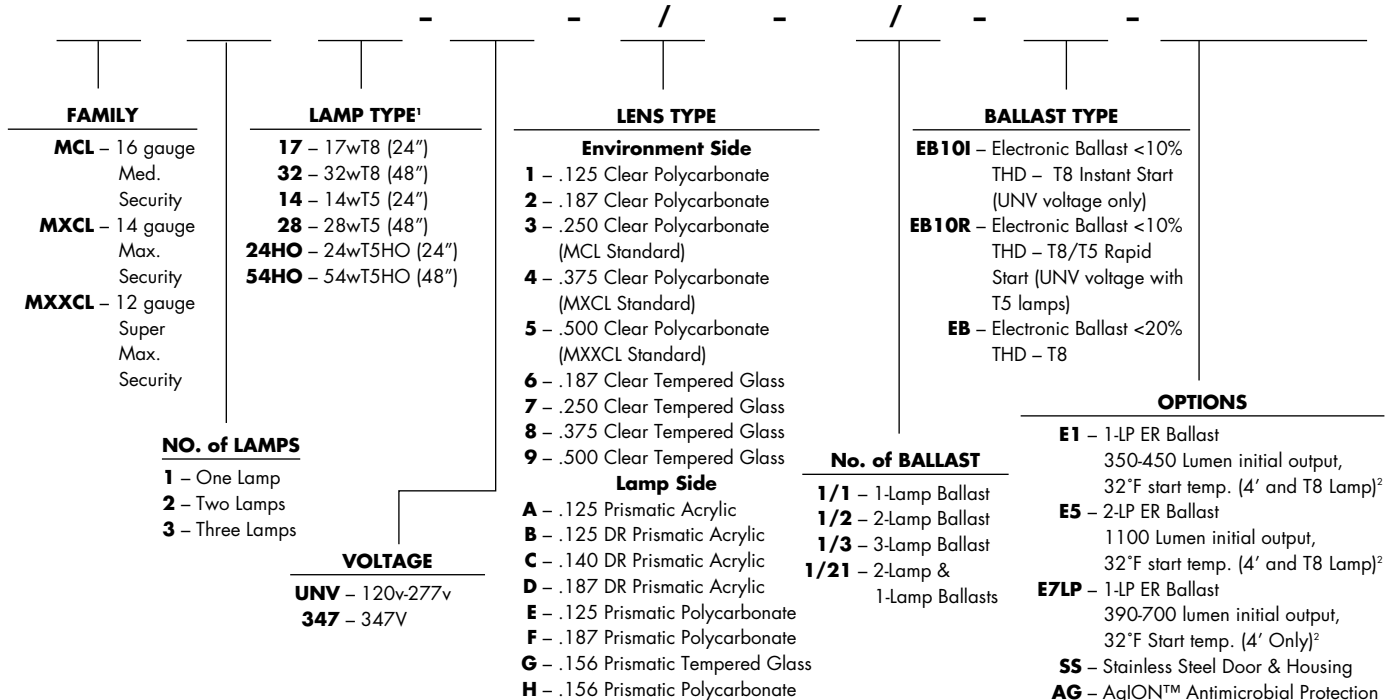
INSTALLATION

Embossed mounting holes in back plate to provide direct contact with mounting surface.

OPTIONS

Agion™ Antimicrobial protection using silver technology inhibits bacterial colonization on metal interior and exterior surfaces. Agion™ antimicrobial FDA recognized and EPA registered, meeting all applicable EPA standards

CATALOG NUMBER (example: MXCL232-UNV-4/A-1/2-EB)



Footnotes

- ¹Lamps supplied by others.
²ER Ballast for DRY locations only.

Note:
 Consult factory for additional configurations.

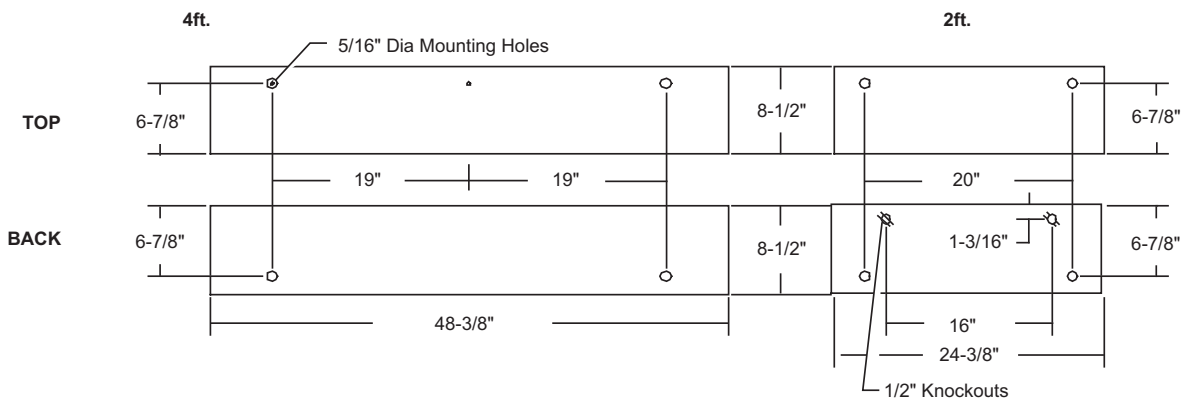
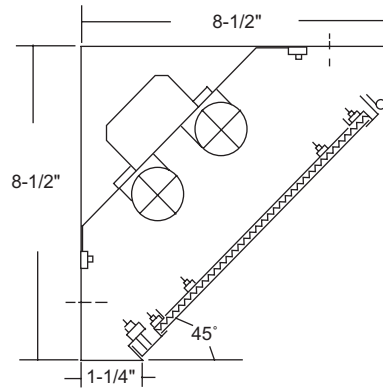
VFM 5050

MAX CL SERIES CORNER MOUNT LINEAR FLUORESCENT

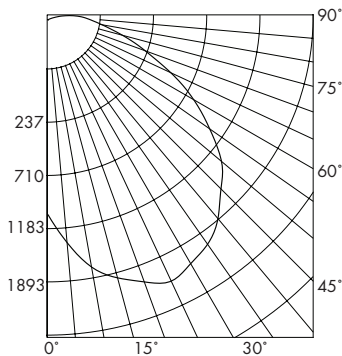
DIMENSIONS



Vandal Resistant
by Day-Brite Lighting



PHOTOMETRIC DATA



Zonal Cavity Coefficient of Utilization ITL
Photopia Test No. 2.0.0.17
Product Catalog Number: MXCL232
Lamps: Two 32WT8, each rated 2850 lumens.

COEFFICIENT OF UTILIZATION												
pfc pcc pw RCR	80			20			50			70		
	70	50	30	10	70	50	30	10	50	30	10	
0	82	82	82	82	79	79	79	79	74	74	74	
1	72	68	64	61	70	66	62	59	62	59	56	
2	65	58	52	47	62	56	51	46	53	48	44	
3	58	50	43	38	56	48	42	37	45	40	36	
4	53	44	37	31	51	42	36	31	40	34	30	
5	48	39	32	27	46	37	31	26	35	30	25	
6	44	34	28	23	43	33	27	22	32	26	22	
7	41	31	24	20	39	30	24	20	29	23	19	
8	38	28	22	17	37	27	21	17	26	21	17	
9	35	26	20	15	34	25	19	15	24	19	15	
10	33	23	18	14	32	23	17	14	22	17	13	

Average Luminance in Footlamberts

Vertical Angles	Average Brightness	
	Norm	Para
45°	4607	1566
55°	4231	1216
65°	3511	1008
75°	2710	724
85°	1883	318

Lumin. Eff.	Spacing Cross	Maint. Factor
70.0%	2.63	85%

vrm5050

DAY-BRITE LIGHTING • www.daybritelighting.com
776 South Green Street • Tupelo, Mississippi 38804 • PH: (662) 842-7212 • FAX: (662) 841-5501
CANADIAN DIVISION
189 Bullock Drive • Markham, Ontario L3P 1W4 • PH: (905) 294-9570 • FAX: (905) 294-9811
©JULY 2008 DAY-BRITE LIGHTING DAY-BRITE RESERVES THE RIGHT TO MAKE CHANGES WITHOUT NOTICE.

PHILIPS