

Architectural Downlight

S4HA19

4" Horizontal A-Lamp Reflector Downlights



application

- A small aperture shallow housing open reflector downlight for use with economical A type incandescent lamps. The lamp mounted horizontally provides a broad, uniform light distribution with high efficiency. Excellent for use in shallow plenum spaces and for areas such as lobbies, corridors, reception areas, restaurants and offices.

construction

- Mounting pan - Precision die-stamped 20 gauge galvanized steel mounting pan and yoke assembly. Accommodates ceiling materials up to 3/4" thick.
- Installation - Mounting pan has pre-installed universal mounting brackets with vertical adjustment. Junction box and mounting brackets are accessible from below ceiling. For 30" C-channel hanger bars, specify Q1030 accessory, ordered separately. For 27" flat bar hangers, specify Q1031 accessory, ordered separately.
- Reflectors - Precision spun .051 aluminum reflector, self flanged with clear specular Alzak® finish. Reflector is screw mounted for positive attachment to socket assembly. Standard flat flange is painted white. Optional polished flange matching reflector finish available, add FF to catalog number.
- Socket - Medium base 250V porcelain socket with nickel-plated copper screw shell and 200°C wire positions lamp at optical focal plane of reflector for maximum performance.
- Junction box - Large 32-cubic inch 16 gauge galvanized steel with snap-on covers. Approved for through wiring with up to 8 #12 AWG conductors.
- Thermal protection - A thermal protection device which meets all U.L. and NEC requirements is standard.

listings & warranty

- U.L. Listed - For use in damp locations and approved for Through Branch Circuit Wiring. I.B.E.W. union made.
- Canadian Specifications may vary from those shown, consult Canadian Division.
- 3 year Warranty

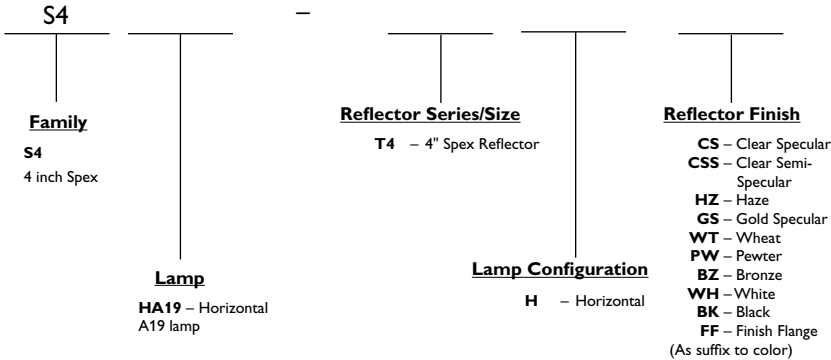
Specifier's Reference

Project
Type
Model No.
Comments

Sample Catalog Number: S4H100A19-T4HCS

HOUSING

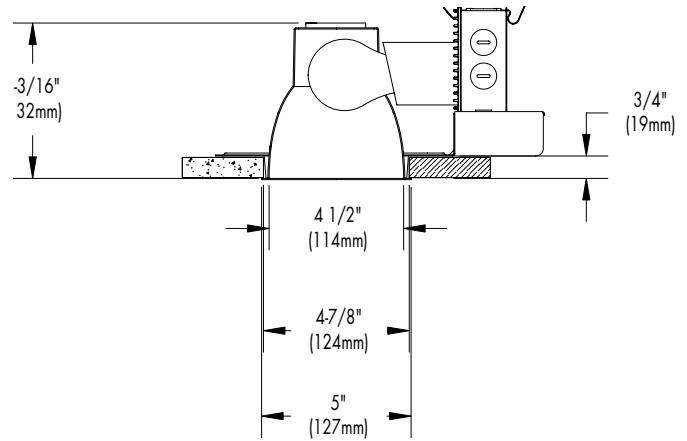
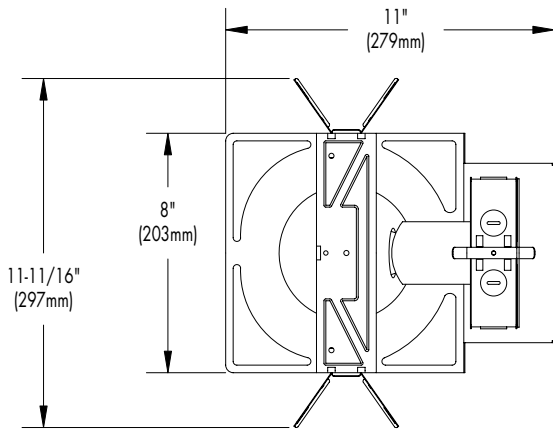
REFLECTOR



General Notes

Consult factory for other reflector finishes.
UL Listed for A19 lamps up to 100 watts.

dimensions



photometrics

S4H100A19-CS

Clear Specular Reflector
Report Number: 24735
Lamp: 100W A19 SOFT WHITE
Total Lumens: 1750
Fixture Efficiency: = 67.6%
IES File: 24735.IES
S/MH Ratio = 1.2, 1.3
Beam Angle: 82.51

Candela

Degrees	At 0°	At 90°	Foot-lamberts
90	0	0	
85	0	0	0
75	1	1	139
65	2	2	170
55	19	14	1036
45	160	183	8731
35	344	392	
25	511	486	
15	571	508	
5	520	489	
0	495	495	

Lighting Performance Data

Ceiling Height	Initial Footcandles	Beam Diameter
8	16.4	9 - 8
10	8.8	13 - 2
12	5.5	16 - 8
14	3.7	20 - 2
16	2.7	23 - 8

Coefficients of Utilization

pcc	80		70		50	
	pw	RCR	pw	RCR	pw	RCR
0	56	56	56	56	54	54
1	53	51	50	48	52	50
2	50	46	45	42	48	46
3	46	42	40	38	46	42
4	44	40	36	34	42	39
5	40	36	34	30	40	35
6	39	34	30	28	38	33
7	35	30	28	26	35	30
8	34	28	26	23	34	28
9	32	27	23	22	32	27
10	29	25	22	20	29	25



©2011 Philips Omega
 All rights reserved.

776 South Green Street • Tupelo, MS 38804
 p. 800.234.1890 • f. 662.841.5501
 www.omegalighting.com
 Canadian Division
 189 Bullock Drive • Markham, Ontario L3P 1W4
 p. 905.294.9570 • f. 905.294.9811

Contact Factory for Additional Configurations.
 Specifications are subject to change without notice.



Some luminaires use fluorescent or high intensity discharge (HID) lamps that contain small amounts of mercury. Such lamps are labeled, "Contain Mercury" and/or the symbol "HG". Lamps that contain mercury must be disposed of in accordance with local requirements. Information regarding lamp recycling and disposal can be found at www.lamprecycle.org