

IC826/32/42

8" IC/AirSeal™ Rated Downlight

SPEX

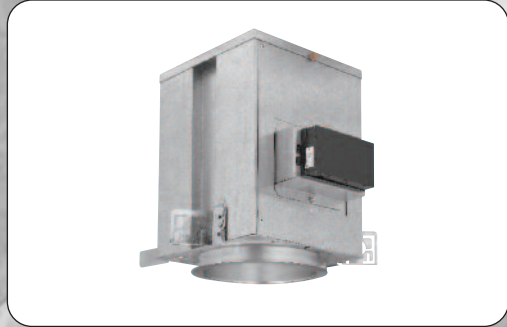
SXI-37.1

REV. 5/09

CAT. NO:

TYPE:

PROJECT:



PRODUCT INFORMATION

Applications

Specification grade recessed downlight UL Listed for direct contact with ceiling insulation. Ideal for applications requiring a balance of efficiency, performance and even illumination.

Specifications

- Ballast** - Type I Class P, high power factor universal voltage electronic compact fluorescent ballast. Offers 1 lamp operation for 120 through 277 volt input voltage.
- Housing** - Fully enclosed corrosion resistant 20 gauge galvanized steel. Fixture is AirSeal™ rated meeting ASTM E283 and Washington State Energy Code and International Energy Conservation Code requirements.
- Glide Engineering™** - allows the socket assembly to move vertically using constant force springs. Provides easy installation and simple adjustment for ceiling up to 3" thick. Consult factory for ceilings thicker than 3".
- Installation** - Housing has pre-installed universal mounting brackets with vertical adjustment. Junction box and mounting brackets are accessible from below ceiling. For 24" C-channel bar hanger pair; specify Q1032 accessory, ordered separately. For 27" flat bar hanger pair; specify Q1031 accessory, ordered separately. For 24" adjustable bar hanger pair; for T-grid or wood joist applications, specify Q1033 accessory, ordered separately.
- Reflector** - Precision spun .051 aluminum, self flanged with clear specular Alzak low iridescent finish. Reflector is screw mounted for positive attachment to socket assembly. Standard flat flange is painted white. Optional polished flange matching reflector finish available, add FF to catalog number.
- Socket** - CFM42W/GX24q, CFM32W/GX24q, CFM26W/GX24q, CFM18W/GX24q, CFQ26W/G24q, CFQ18W/G24q, CFQ13W/G24q
- Junction box** - Extra large 43.75-cubic inch 16 gauge galvanized steel with snap-on covers. Approved for through wiring with up to 8 #12 AWG conductors.
- Optional Emergency System** - Emergency system includes battery, electronic circuitry, charger and test/monitor plate with test switch and charging indicator light. Test/monitor plate may be installed in the ceiling near fixture or other remote location. Operates appropriate lamp wattage for a minimum of 90 minutes following power failure. Battery is recharged automatically following restoration of power. Emergency system complies with NFPA life safety code, OSHA and NEC. Suitable for dry locations.
- UL Listed** - For use in damp locations and approved for Through Branch Circuit Wiring. I.B.E.V. union made.

Canadian Specifications may vary from these shown, consult Canadian Division.

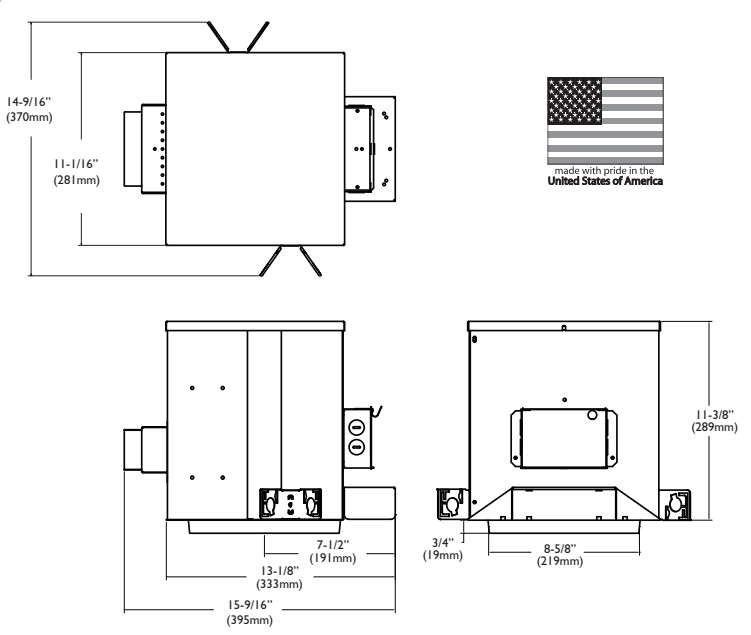
GLIDE

ENGINEERING

airseal

IC

8



CATALOG SYSTEM AND OPTIONS

EXAMPLE OF COMPLETE CATALOG NUMBER: IC826/32/42PLTU-T8CS

HOUSING				TRIMS				
OMEGA Aprt.	Lamp (by others)	Supply Voltage	Options	Reflector/Lamp Configuration	Reflector Type	Reflector Finish	Lens Option	
IC8 8" IC/Airseal	26/32/42 PLT - Triple Tube CFL 18 PLT - Triple Tube CFL 26 QPL- Quad CFL 18 QPL - Quad CFL 13 QPL - Quad CFL	U 120/277 347 ⚡	EM Emergency*	T8 8 Inch	Blank SPL CSSPL BBSPL BKSPL WWW BB WB	Open Splay Clear Specular Splay Black Baffle Splay Splay Lens Black Wall Wash Black Baffle White Baffle	CS Clear Specular CSS Clear Semi-Specular HZ Haze GS Gold Specular WT Wheat PW Pewter BK Black BZ Bronze WH White FF Finish Flange (as suffix to color)	FL Fresnel Lens PL Prismatic Lens CL Clear Lens POLY Polycarbonate Lens

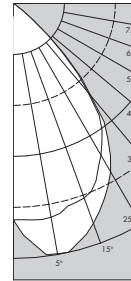
Footnotes:
* EM option requires top access for servicing.



**Clear Specular Reflector
IC826/32/42PLTU-T8CS**

Report Number: 2704
 Lamp: (1) CFT32W
 Total Lumens: 2400
 Fixture Efficiency: = 65.0%
 IES File: EY5186.IES
 S/MH Ratio = 1.3, 1.2
 Beam Angle: 82.15

LIGHTING PERFORMANCE DATA		
CEILING HEIGHT* (FT.)	INITIAL FOOTCANDLES	BEAM DIAMETER (FT.-IN.)
8	32.7	9 - 7
10	17.6	13 - 1
12	10.9	16 - 7
14	7.5	20 - 1
16	5.4	23 - 6



**Wall Washer with Clear Reflector
IC826/32/42PLTU-T8WWCS**

Source: Compact Fluorescent
 Lamp: CFT32W
 Reflectances: 80% ceiling, 50% walls, 20% floor
 Maintenance Factor: 1.0
 IES File: F20947.IES

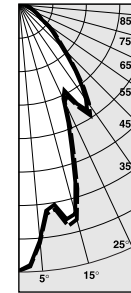
Distance from ceiling (ft)	2'6" from wall, 2'6" on center	
	Below Fixtures	Between Fixtures
1	9.2	8.1
2	11.5	9.6
3	14.6	13.9
4	17.6	18.5
5	18.0	19.4
6	17.6	18.4
7	16.8	17.1
8	16.0	16.2
9	15.1	15.3



**Fresnel Lens with White Regressed Splay
IC826/32/42PLTU-T8SPLFL**

Report Number: 20669
 Lamp: CFT42W
 Total Lumens: 3200
 Fixture Efficiency: = 49.6%
 IES File: F20669.IES
 S/MH Ratio = 0.7, 0.7
 Beam Angle: 44.73

LIGHTING PERFORMANCE DATA		
CEILING HEIGHT* (FT.)	INITIAL FOOTCANDLES	BEAM DIAMETER (FT.-IN.)
8	46.9	4-6
10	25.2	6-2
12	15.7	7-10
14	10.7	9-6
16	7.8	11-1



Black Baffle

8

Additional photometric test files are available @ omegalighting.com