

IC626/32

6" IC/AirSeal™ Rated Downlight



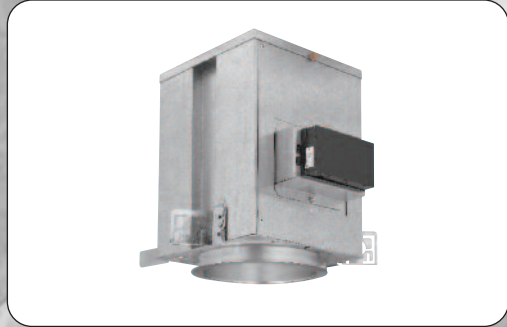
SXI-18.6

REV. 5/09

CAT. NO:

TYPE:

PROJECT:



PRODUCT INFORMATION

Applications

Specification grade recessed downlight UL Listed for direct contact with ceiling insulation. Ideal for applications requiring a balance of efficiency, performance and even illumination.

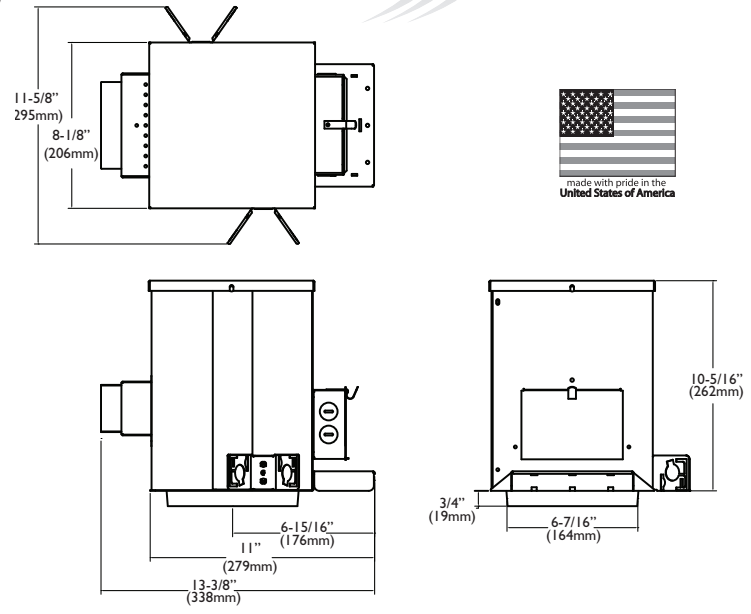
Specifications

- Ballast** - Type I Class P, high power factor, universal voltage, electronic compact fluorescent ballast. Offers 1 lamp operation for 120 through 277 volt input voltage.
- Housing** - Fully enclosed corrosion resistant 20 gauge galvanized steel. Fixture is AirSeal™ rated meeting ASTM E283 and Washington State Energy Code and International Energy Conservation Code requirements.
- Glide Engineering™** - allows the socket assembly to move vertically using constant force springs. Provides easy installation and simple adjustment for ceiling up to 3" thick. Consult factory for ceilings thicker than 3".
- Installation** - Housing has pre-installed universal mounting brackets with vertical adjustment. Junction box and mounting brackets are accessible from below ceiling. For 24" C-channel bar hanger pair, specify Q1032 accessory, ordered separately. For 27" flat bar hanger pair, specify Q1031 accessory, ordered separately. For 24" adjustable bar hanger pair, for T-grid or wood joist applications, specify Q1033 accessory, ordered separately.
- Reflector** - Precision spun .051 aluminum, self flanged with clear specular Alzak low iridescent finish. Reflector is screw mounted for positive attachment to socket assembly. Separate kicker reflector standard in semi-specular clear finish. Reflector rotates 360° for proper horizontal alignment. Standard flat flange is painted white. Optional polished flange matching reflector finish available, add FF to catalog number.
- Socket** - CFM32W/GX24q, CFM26W/GX24q, CFM18W/GX24q, CFQ13W/G24q
- Junction box** - Extra large 43.75-cubic inch 16 gauge galvanized steel with snap-on covers. Approved for through wiring with up to 8 #12 AWG conductors.
- Optional Emergency System** - Emergency system includes battery, electronic circuitry, charger and test/monitor plate with test switch and charging indicator light. Test/monitor plate may be installed in the ceiling near fixture or other remote location. Operates appropriate lamp wattage for a minimum of 90 minutes following power failure. Battery is recharged automatically following restoration of power. Emergency system complies with NFPA life safety code, OSHA and NEC. Suitable for dry locations.
- UL Listed** - For use in damp locations and approved for Through Branch Circuit Wiring. I.B.E.W. union made.

☛ Canadian Specifications may vary from these shown, consult Canadian Division.



6



CATALOG SYSTEM AND OPTIONS

HOUSING

OMEGA Aprtr.	Lamp (by others)	Supply Voltage	Options
IC6	26/32 PLT - Triple Tube CFL	U	EM Emergency*
6"	18 PLT - Triple Tube CFL	120/277	
IC/Airseal	26 QPL - Quad CFL	347 ☛	
	18 QPL - Quad CFL		
	13 QPL - Quad CFL		

Footnotes:

* EM option requires top access for servicing.

EXAMPLE OF COMPLETE CATALOG NUMBER: IC626/32PLTU-T6WWCS

TRIMS

Reflector/Lamp Configuration	Reflector Type	Reflector Finish	Lens Option
T6	Blank	Open	CS Clear Specular
	SPL	Splay	CSS Clear Semi-Specular
	CSSPL	Clear Specular Splay	HZ Haze
	BBSPL	Black Baffle Splay	GS Gold Specular
	BKSPL	Splay Lens Black	WT Wheat
	WW	Wall Wash	PW Pewter
	BB	Black Baffle	BK Black
	WB	White Baffle	BZ Bronze
			WH White
			FF Finish Flange
			(as suffix to color)
			FL Fresnel Lens
			PL Prismatic Lens
			CL Clear Lens
			POLY Polycarbonate Lens

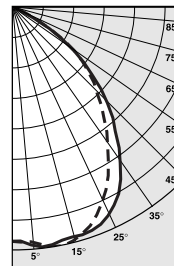
6



**Clear Specular Reflector
IC626/32PLTU-T6CS**

Report Number: F22416
 Lamp: (1) CFM32W
 Total Lumens: 2400
 Fixture Efficiency: = 58.4%
 IES File: 22416.IES
 S/MH Ratio = 1.1, 1.0
 Beam Angle: 75.13

LIGHTING PERFORMANCE DATA		
CEILING HEIGHT* (FT.)	INITIAL FOOTCANDLES	BEAM DIAMETER (FT.-IN.)
8	36.4	8-6
10	19.6	11-6
12	12.2	14-7
14	8.3	17-8
16	6.0	20-9



**Wall Washer with Clear Reflector
IC626/32PLTU-T6WWCS**

Source: Compact Fluorescent
 Lamp: (1) CFM32W
 Reflectances: 80% ceiling, 50% walls, 20% floor
 Maintenance Factor: 1.0
 IES File: 20232.IES

Distance from ceiling (ft)	2'6" from wall, 2'6" on center	
	Below Fixtures	Between Fixtures
1	16.1	15.1
2	23.0	21.6
3	27.6	27.7
4	26.7	26.5
5	23.0	22.9
6	19.0	18.9
7	13.8	13.7
8	13.4	13.4
9	11.5	11.6



**Fresnel Lens with White Regressed Splay
IC626QPLU-T6SPLFL**

Report Number: 20711
 Lamp: (1)CFQ26W
 Total Lumens: 1800
 Fixture Efficiency: = 38.0%
 IES File: 20711.IES
 S/MH Ratio = 1.2, 1.2
 Beam Angle: 84.47

LIGHTING PERFORMANCE DATA		
CEILING HEIGHT* (FT.)	INITIAL FOOTCANDLES	BEAM DIAMETER (FT.-IN.)
8	11.2	9-12
10	6.0	13-7
12	3.8	17-3
14	2.6	20-11
16	1.9	24-6

