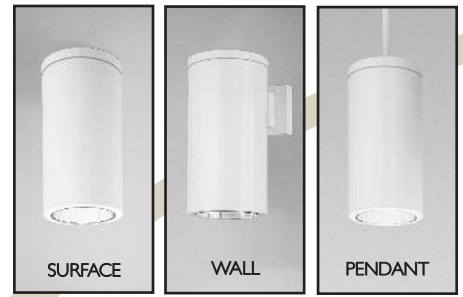


OM63 I5T9CMH

6" T9 CMH Open Cylinder

CAT. NO:

TYPE: PROJECT:



PRODUCT INFORMATION

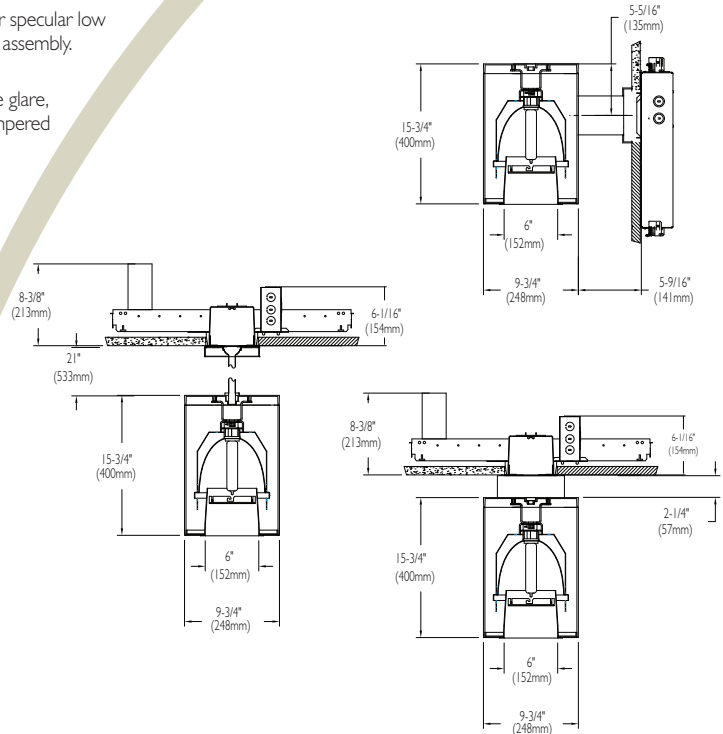
Applications

A metal halide cylinder suitable for medium to high ceiling heights requiring smooth, even distribution and high efficiency. Provides general lighting in auditoriums, schools, churches, restaurants, hotels, banks, offices or retail applications.

Specifications

- Housing** - Aluminum cylinder with cast aluminum top and bottom ring on pendant and wall units. Standard color is white; optional finishes available.
- Installation** - Recessed ballast housing includes pre-installed c-channels with vertical and horizontal adjustment. Cylinder mounts directly to recessed housing.
- Reflectors** - Precision spun .050 aluminum one piece reflector; self flanged with clear specular low iridescent finish. The reflector is screw mounted for positive attachment to the socket assembly. Polished flange matches reflector finish.
- Baffle** - Precision machined .051 aluminum with deep grooves to eliminate aperture glare, anodized matte black or matte white finish. Baffle includes a lamp shatter guard of tempered safety glass. Standard flange is painted black.
- Ballast** - Electronic high power factor pulse start ballast. 200-277 Volt, 0-10V dimming, 50-100% standard.
- Shatter Guard** - Protective lamp shatter guard of 1/8" thick tempered borosilicate glass provided.
- Lamp (included)** - 90+ CRI, 20,000 hour life. Available in 3000K or 4200K. Rated for use in open or enclosed fixtures.
- Aligning Canopy** - Die cast aluminum free moving and self aligning swivel. Attaches to recessed housing. Allows for up to 45° adjustability for use with sloped ceilings or seismic requirements. Add AC2 for two aligning canopies - one mounted to recessed housing, and one mounted to fixture.
- UL Listed** - For use in damp locations and approved for Through Branch Circuit Wiring. I.B.E.W. union made.

Canadian Specifications may vary from these shown, consult Canadian Division.



6

CATALOG SYSTEM AND OPTIONS

EXAMPLE OF COMPLETE CATALOG NUMBER: OM63 I5T9CMHPSC-CSFFLP930277

OMEGA Aptr	Lamp (included)	Open Trim	Product Family	Reflector Finish	Housing Finish	Lamp (required)	Frame Option	Supply Voltage
OM6 6" aperture	315 T9 CMH 210 T9 CMH	P Protected Lamp	SC Surface Cylinder WC Wall Cylinder PC Pendant Cylinder*	CSFF Clear Specular Finish Flange CSSFF Clear Semi-Specular Finish Flange HZFF Haze Finish Flange GSFF Gold Specular Finish Flange PWFF Pewter Finish Flange BB Black Baffle	BK Black BZ Bronze ALA Aluminum	LP930 3000K LP942 4200K	AC2 2 Aligning Canopies	208 208 volts 240 240 volts 277 277 volts
		BLANK Enclosed Rated Lamp						



FIVE YEAR
Warranty

FOOTNOTES:
0-10 volt dimming standard.
Open and enclosed rated lamps available.
Stem length is 22". Consult factory for other lengths.

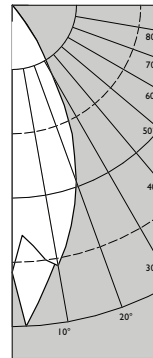
OM63 I5T9CMHSC-CSFF-LP930277

Clear Specular Reflector

Report number: 28706-1P
 Lamp: (1)315WMH
 Fixture Efficiency: 63.1%
 S/MH Ratio (0 degree plane): 0.8
 (90 degree plane): 0.8
 Total Fixture Lumens: 23806
 IES file: 28706PIES
 Beam Angle: 50.27

LIGHTING PERFORMANCE DATA		
CEILING HEIGHT* (FT.)	INITIAL FOOTCANDLES	BEAM DIAMETER (FT.-IN.)
20	121	16-5
22	97.5	18-3
24	80.2	20-2
26	67.1	22-0
28	57.0	23-11

DISTRIBUTION CURVE



DEGREES	CANDELA		FOOT LAMBERTS
	AT 0°	AT 90°	
90	3	1	
85	2	4	551
75	8	14	680
65	30	37	1268
55	66	93	2218
45	227	241	5295
35	5981	5894	
25	19716	17900	
15	31658	31022	
5	33508	41460	
0	37074	37074	

COEFFICIENTS OF UTILIZATION ZONAL CAVITY METHOD

Effective Floor Cavity Reflectance 0.20						
RC	80		70		50	
	50	30	50	30	50	30
RW						
0	75	75	75	75	72	72
1	71	69	68	68	69	68
2	68	66	64	61	67	65
3	66	61	58	56	65	60
4	63	58	55	53	61	57
5	59	55	52	50	58	55
6	57	53	48	46	56	52
7	55	50	46	44	54	48
8	53	46	44	41	52	46
9	51	45	41	40	50	45
10	48	42	40	38	47	42

6

Additional photometric test files are available @ omegalighting.com



PHILIPS OMEGA
 776 South Green St, Tupelo, MS 38804
 Phone 662.842.7212 FAX 662.841.5501

PHILIPS DAY-BRITE CANADA
 189 Bullock Drive, Markham, Ontario, Canada L3P 1W4
 Phone 905.294.9570 FAX 800.268.0003