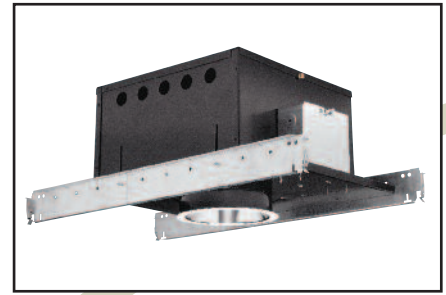


# OM6 I 50T6CMHRADJ45

## 6" T6 CMH Adjustable Downlight

CAT. NO: \_\_\_\_\_

TYPE: \_\_\_\_\_ PROJECT: \_\_\_\_\_



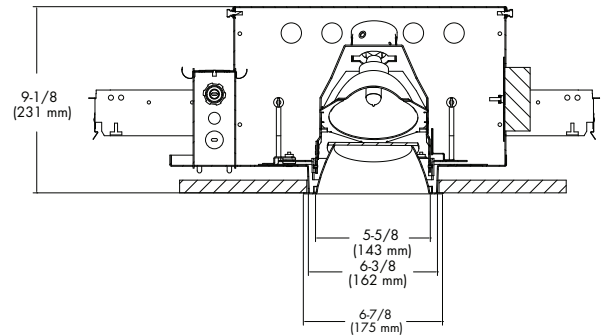
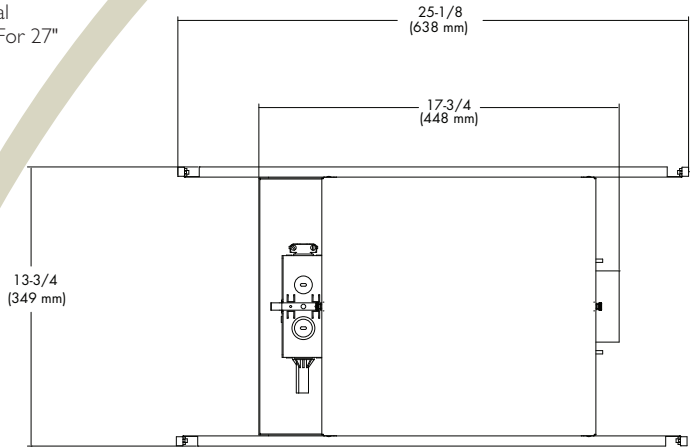
### PRODUCT INFORMATION

#### Applications

Recessed 45° adjustable downlight well suited for general or accent lighting and sloped ceiling applications, auditoriums, schools, churches, restaurants, hotels, and offices. Full horizontal rotation makes this fixture ideal for highlighting store displays, sculpture or vertical surfaces. Low brightness reflector matches all other 6 inch aperture downlights from Omega.

#### Specifications

- Housing** - 20 gauge steel housing with matte black powder coat finish. Accommodates ceilings up to 1-3/8" thick.
- Ballast** - Electronic high power factor; with <15% THD. Includes internal ignitor; and thermal protection. Ballast requires a minimum starting temperature of 5°F.
- Installation** - Housing features, pre-installed c-channels with vertical and horizontal adjustments. Ballast, junction box and c-channels are accessible from below ceiling. For 27" flat bar hanger pair; specify Q1031 accessory, ordered separately.
- Optics** - 2-piece precision formed aluminum upper and lower reflector. Upper reflector is faceted and anodized for optimum performance. Lower reflector has proprietary Alzak finish for a soft appearance and excellent color. Standard flange finish is white paint. For optional polished flange matching interior reflector finish add "FF" suffix. A protective shatter guard is included for lamp containment.
- Aiming** - Die-cast aluminum gearing provides simple tilt adjustment. Full rotation of 362° prevents dead spots in aiming. Positive tilt and rotation locking for stability during relamping and over the life of the product.
- Socket** - Porcelain G12 bi-pin base.
- Top Relamping** - Lamp and ballast are serviceable from above or below the ceiling.
- Lamp** - Lamps included.
- U.L. Listed** - For use in damp locations and approved for through branch circuit Wiring. I.B.E.W. union made.



6

Canadian Specifications may vary from these shown, consult Canadian Division.

### CATALOG SYSTEM AND OPTIONS

EXAMPLE OF COMPLETE CATALOG NUMBER: OM6 I 50T6CMHMADRADJ45-CS-LP942-EU

OMEGA Aprtr.	Lamp (included)	Lamp Type	Distribution	Product Family	Reflector Finish	Lamp (required)	Supply Voltage	Options
OM6	150 T6 70 T6 39 T6	CMH Ceramic Metal Halide	ND Narrow MD Medium WD Wide	RADJ45 Recessed Adjustable (45° tilt)	CS Clear Specular CSS Clear Semi-Specular HZ Haze GS Gold Specular WT Wheat PW Pewter BZ Bronze BK Black WH White FF Finish Flange (As suffix to color)	LP830 LP842 <sup>1</sup> LP9302 LP942	EU Electronic 120/277	FZ120 Fusing FZ277 Fusing

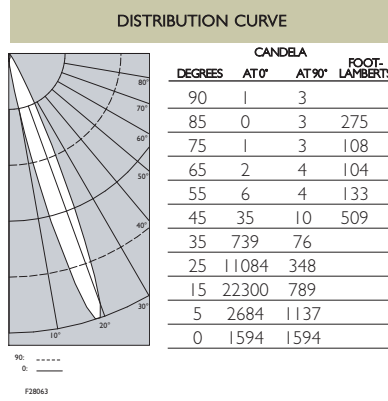
FOOTNOTES:  
1. 39 watt only.  
2. 39 watt - 70 watt only.  
Philips Mastercolor Elite lamps standard for LP930.



**FIVE YEAR**  
**Warranty**

**OM670T6MHND-RADJ45-CS-EU**

Report number: 28063  
 Lamp: (1) 70WMH  
 Total Fixture Lumens: 2328  
 IES file: 28063.IES  
 Beam Angle: 43.58



**COEFFICIENTS OF UTILIZATION ZONAL CAVITY METHOD**

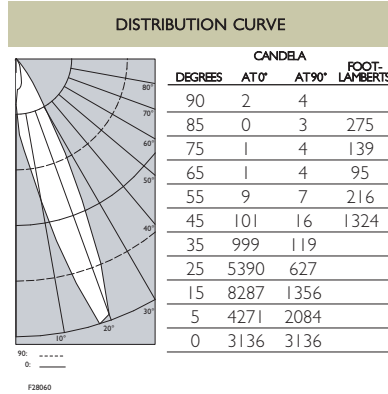
Effective Floor Cavity Reflectance 0.20

RC	80			70			50		
	RW	50	30	50	30	50	30	50	30
0	38	38		38	38		36	36	
1	35	35		34	34		35	34	
2	34	33		32	30		34	33	
3	33	32		29	28		33	30	
4	32	29		28	27		30	29	
5	30	28		27	25		29	28	
6	28	27		25	23		28	27	
7	28	25		23	23		28	25	
8	27	23		23	20		27	23	
9	26	23		20	20		25	23	
10	25	22		20	19		23	22	

6

**OM670T6MHMD-RADJ45-CS-EU**

Report number: 28060  
 Lamp: (1) 70WMH  
 Total Fixture Lumens: 1881  
 IES file: 28060.IES  
 Beam Angle: 40.65



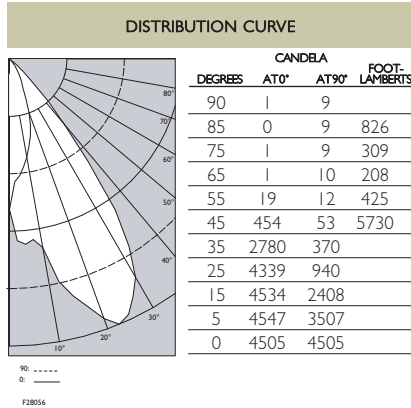
**COEFFICIENTS OF UTILIZATION ZONAL CAVITY METHOD**

Effective Floor Cavity Reflectance 0.20

RC	80			70			50		
	RW	50	30	50	30	50	30	50	30
0	30	30		30	30		29	29	
1	28	28		28	28		28	28	
2	28	27		26	25		28	27	
3	27	26		23	23		27	25	
4	26	23		23	22		25	23	
5	25	23		22	20		23	23	
6	23	22		20	20		23	22	
7	23	20		19	17		23	20	
8	22	20		17	17		22	20	
9	20	19		17	17		20	19	
10	20	17		17	16		20	17	

**OM670T6MHWD-RADJ45-CS-EU**

Report number: 28056  
 Lamp: (1) 70WMH  
 Total Fixture Lumens: 3550  
 IES file: 28056.ies  
 Beam Angle: 51.75



**COEFFICIENTS OF UTILIZATION ZONAL CAVITY METHOD**

Effective Floor Cavity Reflectance 0.20

RC	80			70			50		
	RW	50	30	50	30	50	30	50	30
0	57	57		57	57		56	56	
1	55	54		53	52		54	53	
2	53	50		48	46		52	50	
3	50	46		45	42		48	46	
4	47	44		41	40		46	44	
5	46	41		39	36		45	40	
6	42	39		36	34		42	39	
7	40	36		34	32		40	36	
8	40	34		32	29		39	34	
9	38	33		29	28		36	33	
10	35	32		28	27		35	30	