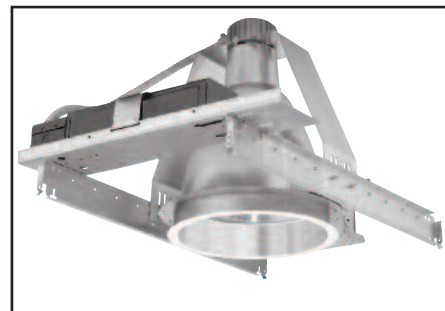


OM10200E28MHPS

10" Metal Halide Reflector Downlights

CAT. NO:

TYPE: PROJECT:



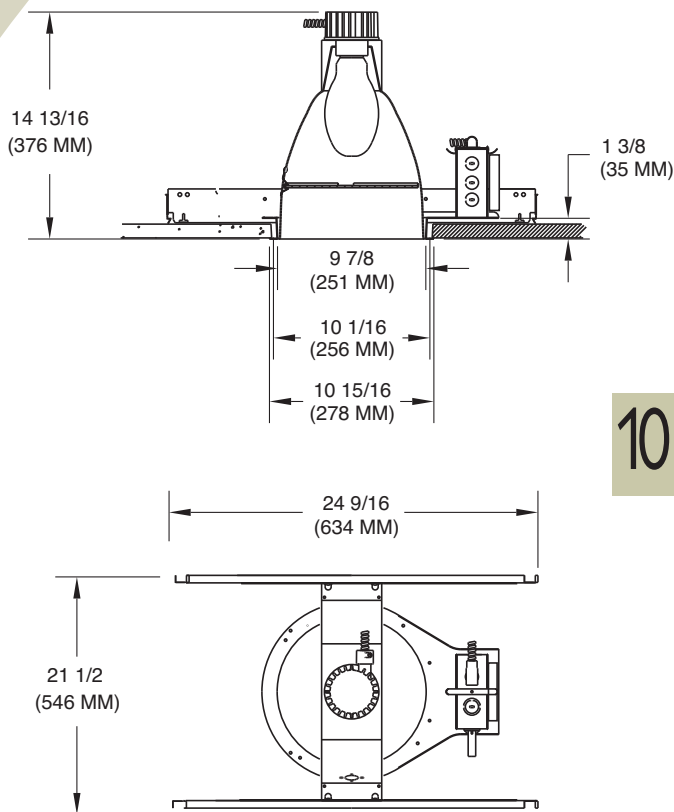
PRODUCT INFORMATION

Applications

A low brightness reflector downlight for use with efficient metal halide lamps. Provides broad, uniform light distribution for general illumination of areas such as lobbies, reception areas, schools, transportation terminals, banks, malls and offices.

Specifications

- Mounting pan** - Precision die-formed 16 gauge bonderized steel mounting pan, yoke assembly and ballast tray.
- Installation** - Mounting pan has pre-installed C-channel with vertical and horizontal adjustments. Ballast, junction box and mounting brackets are accessible from below ceiling. For 27" flat bar hanger pair, specify FB accessory, ordered separately.
- Reflectors** - Precision spun .051 aluminum, self flanged with clear specular Alzak finish. Reflector is screw mounted for positive attachment to socket assembly. Standard flat flange is painted white. Optional polished flange matching reflector finish available, add FF to catalog number.
- Ballast** - Electronic high power factor pulse start ballast.
- Socket enclosure** - Die cast aluminum heat sink, mogul base 600V porcelain socket with nickel-plated copper screw shell and 200°C wire positions lamp at optical focal plane of reflector for maximum performance.
- Shatter guard** - Protective lamp shatter shield of tempered safety glass provided with reflector.
- Junction box** - Extra large 43.75-cubic inch 16 gauge galvanized steel with snap-on covers. Approved for through wiring with up to 8 #12 AWG conductors.
- Thermal protection** - A thermal protection device which meets all U.L. and NEC requirements is standard.
- U.L. Listed** - For use in damp locations and approved for Through Branch Circuit Wiring, I.B.E.W. union made. Marked spacings required for 400W.



10

Canadian Specifications may vary from these shown, consult Canadian Division.

CATALOG SYSTEM AND OPTIONS

EXAMPLE OF COMPLETE CATALOG NUMBER: OM10200E28MHPS-CS-EU

OMEGA Apr.	Lamp (by others)	Lamp Type	Reflector Finish	Frame Options	Supply Voltage
OM10	250 E28 200 E28 175 E28	MHPS Pulse Start Metal Halide	CS Clear Specular CSS Clear Semi-Specular BB Black Baffle HZ Haze GS Champagne Gold Specular WT Wheat PW Pewter BZ Bronze WH White BK Black FF Finish Flange	FZ120 Fusing FZ277 Fusing FZ347 Fusing QEM Emergency QR Quartz Restrike FB Flat Bar Hangers	EU Electronic 120/277V 347 347V *

(As suffix to color)

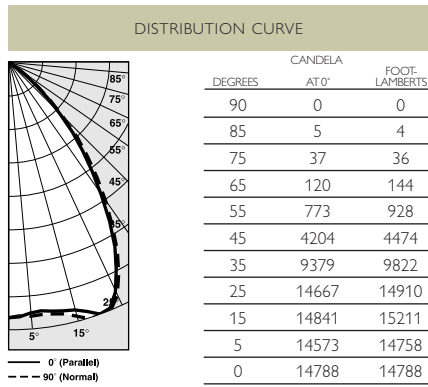


FIVE YEAR
Warranty

OM10400E28MH-CS Photometric Data

Clear Specular Reflector
Report Number: 22408
Lamp: 400W MH E28 Coated
Total Lumens: 35,000
Fixture Efficiency: = 65.6%
IES File: F22408.IES
S/MH Ratio = 1.2, 1.2
Beam Angle: 78.08

LIGHTING PERFORMANCE DATA		
CEILING HEIGHT* (FT.)	INITIAL FOOTCANDLES	BEAM DIAMETER (FT.-IN.)
8	488.9	8-11
10	262.9	12-2
12	163.9	15-5
14	111.8	18-8
16	81.1	21-11



COEFFICIENTS OF UTILIZATION ZONAL CAVITY METHOD

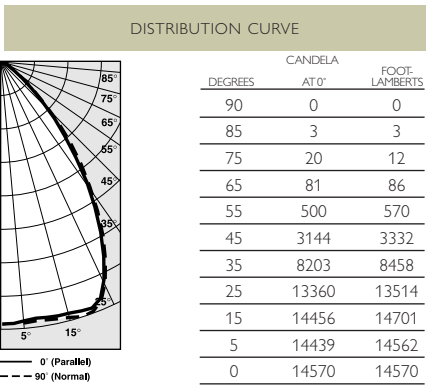
Effective Floor Cavity Reflectance 0.20

RC	80			70			50		
	50	30	50	30	50	30	50	30	
RW	50	30	50	30	50	30	50	30	
0	78	78	76	76	73	73			
1	72	70	71	69	68	67			
2	66	63	65	62	63	60			
3	61	57	60	56	58	55			
4	56	52	55	51	54	50			
5	52	47	51	47	50	46			
6	48	43	47	43	46	42			
7	44	40	44	39	43	39			
8	41	37	41	36	40	36			
9	38	34	38	34	37	33			
10	36	31	35	31	3	31			

OM10400E28MHBB-CS Photometric Data

Clear Specular Reflector with Black Baffle
Report Number: 22409
Lamp: 400W MH E28 Coated
Total Lumens: 35,000
Fixture Efficiency: = 57.4%
IES File: F22409.IES
S/MH Ratio = 1.1, 1.1
Beam Angle: 73.94

LIGHTING PERFORMANCE DATA		
CEILING HEIGHT* (FT.)	INITIAL FOOTCANDLES	BEAM DIAMETER (FT.-IN.)
8	481.7	8-3
10	259.0	11-3
12	161.4	14-4
14	110.2	17-4
16	79.9	20-4



COEFFICIENTS OF UTILIZATION ZONAL CAVITY METHOD

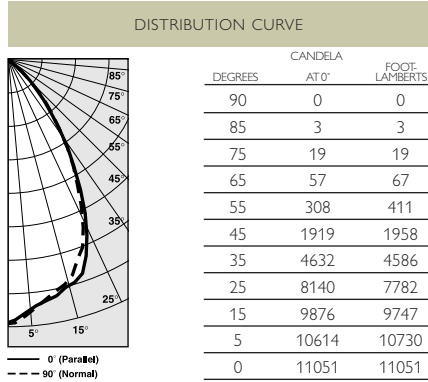
Effective Floor Cavity Reflectance 0.20

RC	80			70			50		
	50	30	50	30	50	30	50	30	
RW	50	30	50	30	50	30	50	30	
0	68	68	67	67	64	64			
1	63	62	62	61	60	58			
2	58	56	57	55	55	53			
3	54	51	53	50	51	49			
4	50	46	49	46	48	45			
5	46	42	45	42	44	41			
6	43	39	42	39	41	38			
7	40	36	39	36	38	35			
8	37	33	37	33	36	33			
9	34	31	34	31	34	30			
10	32	29	32	28	32	28			

OM10250E28MH-CS Photometric Data

Clear Specular Reflector
Report Number: 22411
Lamp: 250W MH E28 Coated
Total Lumens: 21,500
Fixture Efficiency: = 56.3%
IES File: F22411.IES
S/MH Ratio = 1.0, 1.0
Beam Angle: 64.02

LIGHTING PERFORMANCE DATA		
CEILING HEIGHT* (FT.)	INITIAL FOOTCANDLES	BEAM DIAMETER (FT.-IN.)
8	365.3	6-11
10	196.5	9-5
12	122.4	11-11
14	83.6	14-5
16	60.6	16-11



COEFFICIENTS OF UTILIZATION ZONAL CAVITY METHOD

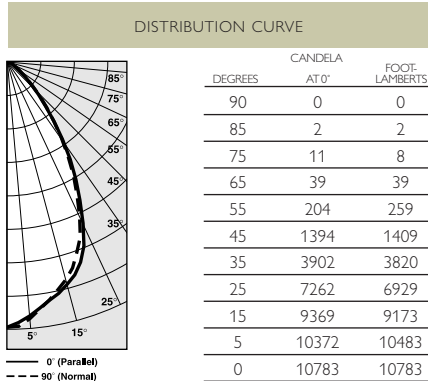
Effective Floor Cavity Reflectance 0.20

RC	80			70			50		
	50	30	50	30	50	30	50	30	
RW	50	30	50	30	50	30	50	30	
0	67	67	66	66	63	63			
1	62	60	61	59	58	57			
2	57	55	56	54	54	53			
3	53	50	52	49	51	48			
4	49	46	48	45	47	44			
5	45	42	45	41	44	41			
6	42	39	42	38	41	38			
7	39	36	39	35	38	35			
8	37	33	36	33	36	33			
9	34	31	34	31	34	30			
10	32	29	32	29	32	28			

OM10250E28MHBB-CS Photometric Data

Clear Specular Reflector with Black Baffle
Report Number: 22410
Lamp: 250W MH E28 Coated
Total Lumens: 21,500
Fixture Efficiency: = 48.9%
IES File: F22410.IES
S/MH Ratio = 0.9, 0.9
Beam Angle: 60.32

LIGHTING PERFORMANCE DATA		
CEILING HEIGHT* (FT.)	INITIAL FOOTCANDLES	BEAM DIAMETER (FT.-IN.)
8	356.5	6-5
10	191.7	8-9
12	119.5	11-0
14	81.5	13-4
16	59.2	15-8



COEFFICIENTS OF UTILIZATION ZONAL CAVITY METHOD

Effective Floor Cavity Reflectance 0.20

RC	80			70			50		
	50	30	50	30	50	30	50	30	
RW	50	30	50	30	50	30	50	30	
0	58	58	57	57	54	54			
1	54	53	53	52	51	50			
2	50	48	49	47	47	46			
3	46	44	46	43	44	42			
4	43	40	42	40	41	39			
5	40	37	40	37	39	36			
6	37	34	37	34	36	34			
7	35	32	35	32	34	31			
8	33	30	32	29	32	29			
9	31	28	30	28	30	27			
10	29	26	29	26	28	26			

*Readings at working plane, 2'6" above floor. Beam Angle and Diameter Cutoff at 50% of max.
Candlepower Coefficients used at effective reflectances of: 70% Ceiling, 50% Walls, 20% Floor
Additional photometric test files are available @ omegalighting.com

To convert values for optional reflector colors, multiply by:
Gold .90 Bronze .82 Pewter .87