

OM4250T4QTZTRMD

4" Quartz Downlight

CAT. NO:

TYPE:

PROJECT:



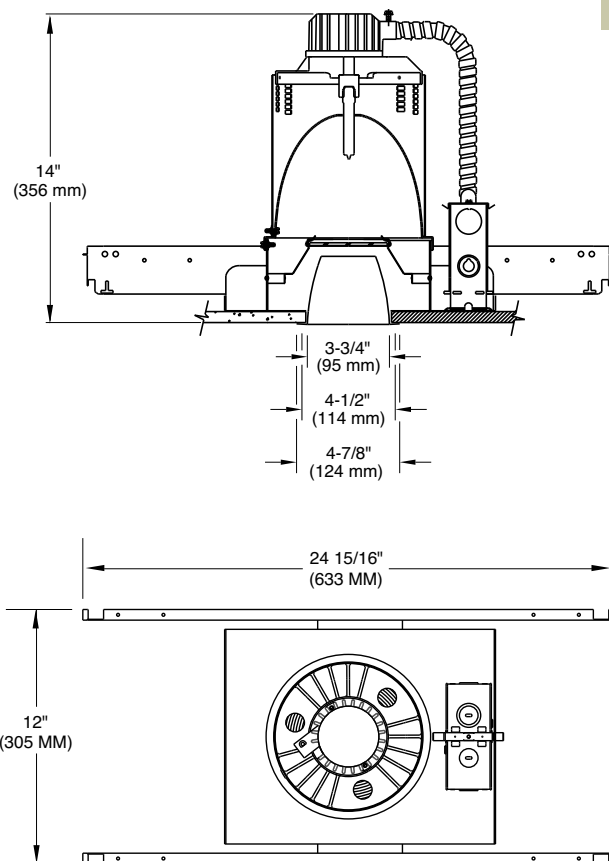
PRODUCT INFORMATION

Applications

Small aperture quartz downlight suitable for medium ceiling heights requiring smooth, even distribution. Provides general lighting in auditoriums, schools, churches, restaurants, hotels, banks, offices or retail applications.

Specifications

- Mounting pan** - Precision die-formed 20 gauge galvanized steel mounting pan.
- Housing** - 20 gauge bonderized steel housing, baked-on matte black finish. Internal upper clear specular Alzak® reflector engineered for precise optical control of beam distribution to ensure maximum performance. Three (3) trim retainer clips riveted to housing at 120° secure reflector to fixture.
- Installation** - Mounting pan has pre-installed C-channel with vertical and horizontal adjustments. Ballast, junction box and mounting brackets are accessible from below ceiling. For 27" flat bar hanger pair, specify FB accessory, ordered separately.
- Trim** - Precision spun .051 aluminum, self flanged with clear specular Alzak finish. Trim includes a lamp shatter guard of tempered safety glass. Standard is flat flange painted white. Optional polished flange matching finish available, add FF to catalog number.
- Shatter guard** - Protective lamp shatter guard of 1/8" thick tempered Borosilicate glass provided.
- Socket enclosure** - Die cast aluminum heat sink, mini-can screw base porcelain socket with nickel-plated copper screw shell and 250°C Teflon® wire.
- Junction box** - Large 28-cubic inch 14 gauge galvanized steel with snap-on covers. Approved for through wiring with up to 8 #12 AWG conductors.
- Relamping** - Top and bottom relampable.
- Thermal protection** - A thermal protection device which meets all U.L. and NEC requirements is standard.
- U.L. Listed** - For use in damp locations and approved for Through Branch Circuit Wiring. I.B.E.W. union made.



4

* Canadian Specifications may vary from these shown, consult Canadian Division.

CATALOG SYSTEM AND OPTIONS

EXAMPLE OF COMPLETE CATALOG NUMBER: **OM4250T4QTZTRMD-CS**

OMEGA Aprtr.	Lamp (by others)	Top Relamping	Distribution	Reflector Finish*	Frame Options
OM4	250 T4QTZ 150 T4QTZ	TR	MD Medium Distribution ND Narrow Distribution	CS Clear Specular CSS Clear Semi-Specular HZ Haze GS Champagne Gold Specular WT Wheat PW Pewter BZ Bronze WH White BK Black FF Finish Flange (As suffix to color)	FB Flat Bar Hangers



FIVE YEAR
Warranty

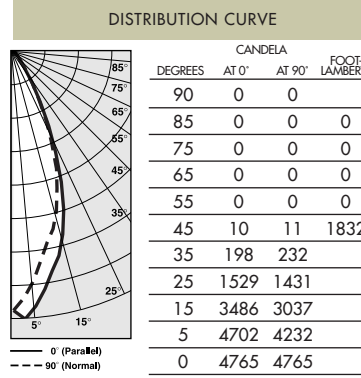
*Consult factory for other reflector finishes.

OM4250T4QTZMD-CS Photometric Data

Clear Specular Reflector

Report Number: F22450
 Lamp: 250W QTZ
 Total Lumens: 4850
 Fixture Efficiency: = 43.3%
 IES File: F22450.IES
 S/MH Ratio = 0.7, 0.6
 Beam Angle: 40.21

LIGHTING PERFORMANCE DATA		
CEILING HEIGHT* (FT.)	INITIAL FOOTCANDLES	BEAM DIAMETER (FT.-IN.)
8	157.5	4-0
10	84.7	5-6
12	52.8	6-11
14	36.0	8-5
16	26.1	9-11



COEFFICIENTS OF UTILIZATION ZONAL CAVITY METHOD

Effective Floor Cavity Reflectance 0.20

RC	80		70		50	
	50	30	50	30	50	30
0	52	52	50	50	48	48
1	49	48	48	47	46	45
2	46	44	45	44	44	43
3	43	42	43	41	42	40
4	41	39	41	39	40	38
5	39	37	39	37	38	37
6	38	35	37	35	37	35
7	36	34	36	34	35	33
8	34	32	34	32	34	32
9	33	31	33	31	32	31
10	32	30	31	29	31	29

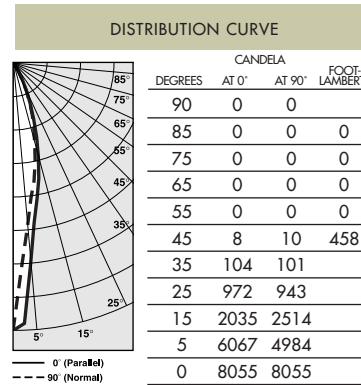
4

OM4250T4QTZND-CS Photometric Data

Clear Specular Reflector

Report Number: F22448
 Lamp: 250W QTZ
 Total Lumens: 4850
 Fixture Efficiency: = 35.9%
 IES File: F22448.IES
 S/MH Ratio = 0.3, 0.3
 Beam Angle: 17.93

LIGHTING PERFORMANCE DATA		
CEILING HEIGHT* (FT.)	INITIAL FOOTCANDLES	BEAM DIAMETER (FT.-IN.)
8	266.3	1 - 9
10	143.2	2 - 4
12	89.3	2 - 12
14	60.9	3 - 8
16	44.2	4 - 3



COEFFICIENTS OF UTILIZATION ZONAL CAVITY METHOD

Effective Floor Cavity Reflectance 0.20

RC	80		70		50	
	50	30	50	30	50	30
0	43	43	42	42	40	40
1	40	40	40	39	38	38
2	38	37	38	37	37	36
3	37	35	36	35	35	34
4	35	33	35	33	34	33
5	34	32	33	32	33	31
6	32	31	32	30	31	30
7	31	29	31	29	30	29
8	30	28	30	28	29	28
9	29	27	29	27	28	27
10	28	26	28	26	28	26

*Readings at working plane, 2'6" above floor. Beam Angle and Diameter Cutoff at 50% of max. Candlepower Coefficients used at effective reflectances of: 70% Ceiling, 50% Walls, 20% Floor

To convert values for optional reflector colors, multiply by:
 Gold .90 Bronze .82 Pewter .87

Additional photometric test files are available @ omegalighting.com



OMEGA LIGHTING:
 776 South Green St., Tupelo, MS 38804
 Phone 662.842.7212 FAX 662.841.5501

CANADIAN DIVISION:
 189 Bullock Drive, Markham, Ontario, Canada L3P 1W4
 Phone 905.294.9570 FAX 800.268.0003