



**Specifier's Reference**

Project
Type
Model No.
Comments

**application**

- Philips Omega SOL6 creates accent and general lighting that offers a unique solution to reduce glare without compromising visual comfort. The thin 11/16" LED system with a 36° beam distribution is intended for use in hospitality, corporate and retail environments that require exceptional performance.

**light engine**

- LED Array: The LED Array consists of a metal core circuit board with 16 high brightness LEDs.
- Color: Available in two CCT options: 3000K or 4000K with 80CRI +/-2%.
- Electrical: 20 system input watts. The power supply/driver features Advance Intelli-volt 120-277VAC 50/60hz, with standard 0-10V analog dimming capability. The power supply is overload and short circuit protected as well as thermally regulated to prevent overheating. Sound rating A. Refer to dimming compatibility spec sheet for complete details. Driver has rated lifetime of 50,000 hours.
- Lifetime/Lumen Maintenance: 35,000 hour lifetime at 70% lumen maintenance.
- Fixtures should not be operated or exceed ambient temperatures above 40°C.

**construction**

- Finish: Available in white and black textured powder coat finish.
- Housing/Mounting: There are three housing/mounting methods available to suit any application.
  - Ceiling** - Semi-Recessed housing is constructed of die-stamped 22 gauge steel and accommodates ceilings up to 1/2" thick. Housing will ship standard with pre-installed Q1033 adjustable bar hangers that telescope from 16 to 24 inches on center.

**Adjustable** - Housing is constructed of die-cast aluminum and offers a key hole top mounting plate for ease of installation into a standard 3.5" or 4" octagonal junction box. Adjustable hinge allows for a 365° horizontal rotation and 100° vertical tilt. An additional 85° rotation on the vertical plane can be achieved by tilting the disc.

**Pendant** - Surface canopy accommodates a standard 3.5" or 4" octagonal junction box with the LED driver installed into canopy. Shallow depth canopy is mounted to a recessed housing with pre-installed C-Channel and accommodates ceilings up to 1-3/8" thick. SOL6 Pendant mounting comes standard with a 24" stem and swivel canopy.

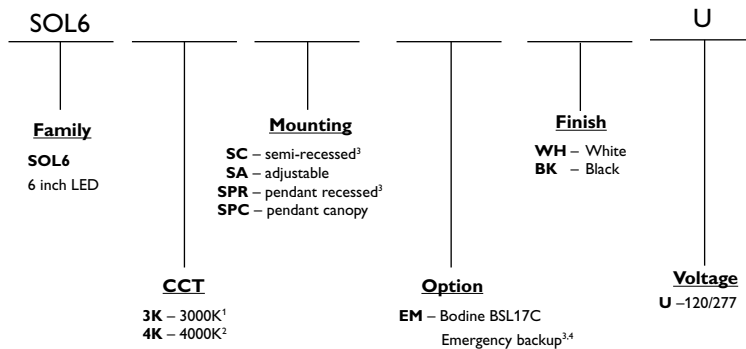
- LED Disc - The high tech optical LED system redirects the light output from the 16 LEDs outward with maximum efficacy and glare control. The disc is constructed with an aluminum housing and reflector. Reflector comes standard with a clear polycarbonate diffuser lens. The center of the disc with an aluminum protective cover contains and shields the LED from direct view.

**listings & warranty**

- ETL, cUL Listed (Suitable for damp location applications.)
- Photometric testing performed using IESNA - LM79 procedures. LED lifetime testing performed using IESNA - LM80 procedures.
- 3 year Warranty

**Green Choice: SOL63KSCWHU**

**HOUSING**



**Footnotes**

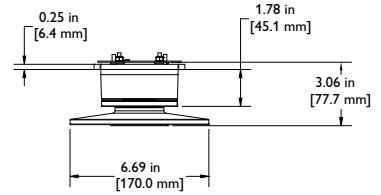
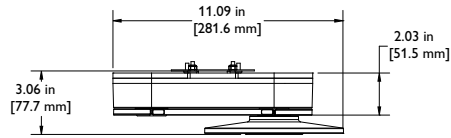
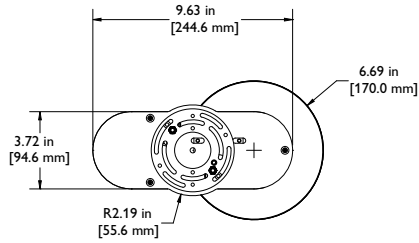
- Delivered lumen output based on 3000K (855 lm).
- Delivered lumen output based on 4000K (1013 lm).
- Bar hangers standard with SC, Surface Ceiling and SPR, Surface Pendant Recessed mounting options only.
- Delivered lumen output ranges from 500-550 lm.

**General Notes**

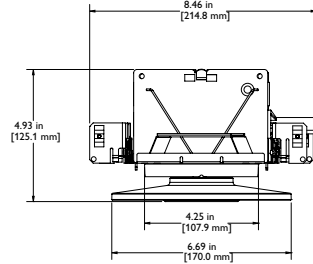
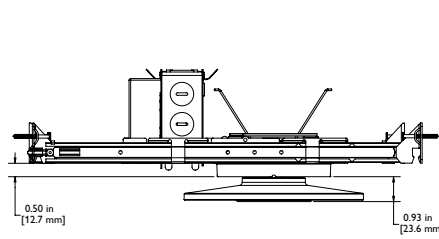
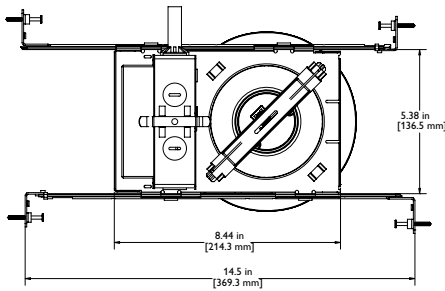
Lumen output varies depending on CCT, refer to specific IES files for details

# dimensions

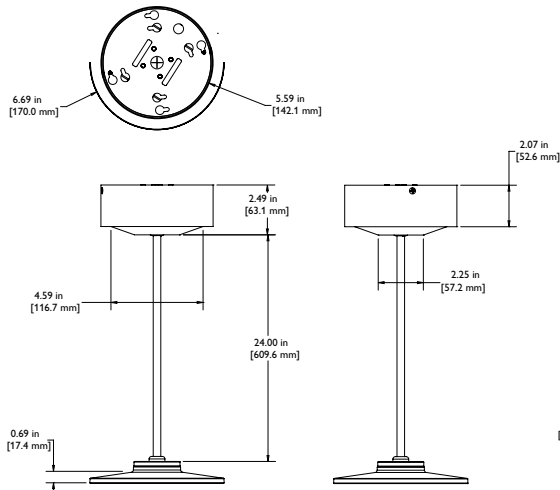
## adjustable



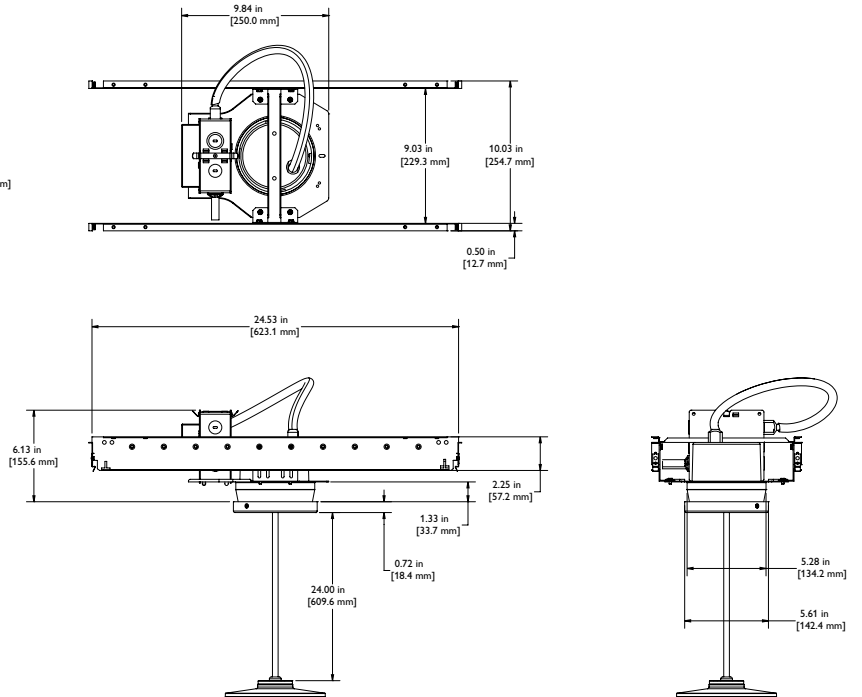
## ceiling



## pendant canopy



## pendant recessed



photometrics

**SOL64KSCWHU**

Tested to LM-79 standards.

<b>Catalog No.</b> SOL64KSCWHU <b>Test No.</b> 29567 <b>S/MH</b> (0 degree plane) 0.5 <b>Lamp Type</b> 20W LED <b>Total Fixture Lumens</b> 1013 <b>IES File</b> 29567.ies <b>Input Watts</b> 21 <b>Luminaire Efficacy</b> 48 LPW  <b>Comp Yearly Energy Cost at \$0.08/KWh = \$5.00</b>	<b>Candle Power</b>				<b>Average Luminance</b>			
	<b>Angle</b>	<b>End</b>	<b>At 45°</b>	<b>Cross</b>	<b>Zone</b>	<b>End</b>	<b>45</b>	<b>Cross</b>
	0	2447	2447	2447	45	4031	3954	3876
	5	2377	2363	2360	55	2963	2867	2867
	15	1417	1401	1401	65	2465	2335	2465
	25	521	533	556	75	2118	2118	2118
	35	108	114	115	85	2516	2516	2516
	45	52	51	50	<b>Coefficients of Utilization</b>			
	55	31	30	30	pcc	80	70	50
	65	19	18	19	pw	50	30	50
75	10	10	10	RCR				
85	4	4	4	0	118	118	118	
				1	113	111	111	
				2	108	104	106	
				3	104	97	102	
				4	98	92	96	
				5	94	86	93	
				6	91	82	90	
				7	88	79	85	
				8	83	76	82	
				9	81	72	80	
				10	78	69	77	

**SOL63KSCWHU**

Tested to LM-79 standards.

<b>Catalog No.</b> SOL63KSCWHU <b>Test No.</b> 29591 <b>S/MH</b> (0 degree plane) 0.5 <b>Lamp Type</b> 20W LED <b>Total Fixture Lumens</b> 855 <b>IES File</b> 29591.ies <b>Input Watts</b> 20 <b>Luminaire Efficacy</b> 43 LPW  <b>Comp Yearly Energy Cost at \$0.08/KWh = \$5.58</b>	<b>Candle Power</b>				<b>Average Luminance</b>			
	<b>Angle</b>	<b>End</b>	<b>At 45°</b>	<b>Cross</b>	<b>Zone</b>	<b>End</b>	<b>45</b>	<b>Cross</b>
	0	2508	2508	2508	45	2326	2248	2248
	5	2304	2292	2280	55	1816	1720	1816
	15	1274	1270	1273	65	1686	1686	1686
	25	416	436	451	75	1483	1483	1483
	35	58	60	68	85	1887	1887	1887
	45	30	29	29	<b>Coefficients of Utilization</b>			
	55	19	18	19	pcc	80	70	50
	65	13	13	13	pw	50	30	50
75	7	7	7	RCR				
85	3	3	3	0	118	118	118	
				1	113	111	112	
				2	109	105	107	
				3	105	98	103	
				4	101	93	98	
				5	96	90	94	
				6	93	85	92	
				7	90	81	89	
				8	86	79	85	
				9	83	76	82	
				10	81	72	80	



©2011 Philips Omega  
 All rights reserved.  
 776 South Green Street • Tupelo, MS 38804  
 p. 800.234.1890 • f. 662.841.5501  
 www.omegalighting.com  
 Canadian Division  
 189 Bullock Drive • Markham, Ontario L3P 1W4  
 p. 905.294.9570 • f. 905.294.9811

Contact Factory for Additional Configurations.  
 Specifications are subject to change without notice.  
 Some luminaires use fluorescent or high intensity discharge (HID) lamps that contain small amounts of mercury. Such lamps are labeled, "Contain Mercury" and/or the symbol "HG". Lamps that contain mercury must be disposed of in accordance with local requirements. Information regarding lamp recycling and disposal can be found at [www.lamprecycle.org](http://www.lamprecycle.org)

