

Architectural Downlighting

OM6LED 2000 SQUARE

6" LED 1900-2450 Lumen
Square Downlight



application

- Philips Omega Revelation square LED downlight utilizes proprietary remote phosphor technology to produce one of the most efficient and advanced LED systems available for general illumination in retail, hospitality, commercial, office and institutional applications.

light engine

- Philips Omega mixing chamber/optical assembly: Remote phosphor technology provides increased efficiency and color stability by redirecting back reflected light. Phosphor lens assembly converts high brightness blue light into white light for an even, diffused pattern, eliminating bright spots often created by individual LEDs. This technology provides consistent, stable color with CCT color control of +/- 100K over the life of the light engine and provides 20% higher efficiency.
- LED Array: The LED Array consists of a metal core circuit board with 22 high brightness royal blue LEDs.
- Color: Available in three CCT options, 3000K, 3500K or 4000K with 80CRI +/-2%.
- Electrical: The power supply/driver features Advance Intelli-volt 120-277VAC 50/60Hz, with standard 0-10V analog dimming capability. The power supply is overload and short circuit protected as well as thermally regulated to prevent overheating. Sound rating A. Refer to dimming compatibility spec sheet for complete details. Driver has rated lifetime of 50,000 hours.
- Lifetime/Lumen Maintenance: 60,000 hour lifetime at 70% lumen maintenance light engine.

- Housing: Precision die stamped 18ga galvanized steel mounting pan and yoke assembly. Allows for ceiling thickness up to 1-3/8". Yoke supports weight of heat sink and light engine assembly to prevent stress on finished reflector.
- Reflector: The lower trim is die-formed of 0.40 low iridescent aluminum and is self-flanged with a variety of finishes available. White flange is standard. Optional polished flange matching trim finish is available, add FF to the catalog number. Optics are designed to provide a 50° visual and reflective cutoff.
- C Channels: Philips Omega Revelation C-Channels are included and provide vertical and horizontal adjustments. These allow for fast and adjustment free installation in T-bar ceilings with 1/2" tile. C-Channels simply snap on grid for proper alignment in 24" O.C. grid systems.
- Junction Box: 16 ga galvanized steel. UL listed for 8 No. 12 AWG, 90C through branch circuit conductors. Allows inspection below ceiling.
- Service: Modular construction allows for easy maintenance of complete system below ceiling. Removing reflector provides easy access to heat sink and light engine assembly. This assembly may be removed by de-pressing the springs which attach to the yoke and then simply opening protective cover and unplugging the push in connector from the LED board.

listings & warranty

- ETL, cUL Listed. (Listed for damp location only.)
- Photometric testing performed using IESNA - LM79 procedures. LED lifetime testing performed using IESNA - LM80 procedures.
- 5 year Warranty

construction

- Thermal Management: A proprietary die-cast aluminum heat sink allows for easy and tool-less installation to the housing yoke. The heat sink is designed to properly maintain junction temperatures in recessed Non-IC applications to provide reliable performance over the life of the light engine. The heat sink incorporates alignment tabs and rust resistant springs to secure the heat sink and reflector to the housing. Fixtures should not be operated or exceed ambient temperatures above 40°C.

Specifier's Reference

Project

Type

Model No.

Comments

Green Choice: OM6LED39SQ120-R6LED30KSQCS

HOUSING

OM6LED	39	SQ	EM	R6LED	SQ
Family OM6LED 6 inch Square Housing	Housing Type SQ – Square	Option EM – Bodine BSL17C Emergency Back-up ¹	Omega Reflector R6LED – 6" Reflector	Reflector Type SQ – Square	
Wattage 39 – 39 Input Watts	Voltage 120 – 120 VAC 50/60Hz 277 – 277 VAC 50/60Hz 347 – Stepdown (347:120/277)	CCT 30K – 3000K 35K – 3500K 40K – 4000K	Reflector Finish CS – Clear Specular CSS – Clear Semi-Specular GS – Gold Specular WT – Wheat PW – Pewter BZ – Bronze WH – White, Paint FF – Finish Flange (as suffix to color)		

LIGHT ENGINE - REFLECTOR

Footnotes

1. Delivered lumen output ranges from 500-550lm.

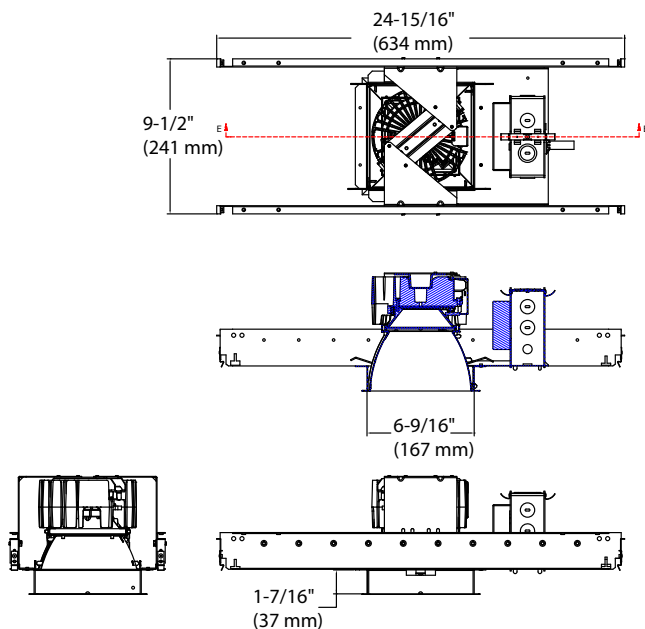
General Notes

Lumen output varies depending on CCT.
Refer to specific IES files for details.

energy data

Input Voltage	Input Current	Drive Current	Input Power	LED Power	THD %	Power Factor
120	0.36	520mA	39	35.4	10%	>0.9
277	0.17	520mA	39	35.4	10%	>0.9

dimensions



photometrics

OM6LED39SQ120-R6LED30KSQCS

Tested to LM-79 standards.

Clear Specular Reflector	Candle Power				Average Luminance (Cd/sq. meter)										
	Test No.	S/MH	Lamp Type	Total Fixture Lumens	IES File	Input Watts	Luminaire Efficacy	Angle	End	45	Cross	Angle	End	45	Cross
29815	(0 degree plane) 1.1	(1) 16 Royal Blue LEDs	1403	29815.ies	39	52 LPW		45	18511	24721	19180	55	3228	7056	4354
								65	1223	1426	1223	75	832	998	832
								85	494	988	988				
								Coefficients of Utilization							
								pcc		80		70			
								pw	70	50	30	70	50	30	
								RCR							
								0	118	118	118	115	115	115	
								1	112	110	107	110	108	105	
								2	106	101	95	104	98	94	
								3	100	93	86	97	91	85	
								4	93	85	79	92	83	79	
								5	89	79	72	86	78	71	
								6	82	72	67	81	72	66	
								7	79	68	60	77	67	60	
								8	73	64	56	72	63	56	
								9	69	58	53	68	58	53	
								10	66	56	48	65	55	48	

Test No.	S/MH	Lamp Type	Total Fixture Lumens	IES File	Input Watts	Luminaire Efficacy
29815	(0 degree plane) 1.1	(1) 16 Royal Blue LEDs	1403	29815.ies	39	52 LPW

Comp Yearly Energy Cost at \$0.08/KWh = \$4.62

Angle	End	45	Cross
0	1529	1529	1529
5	1530	1526	1525
10	1516	1514	1506
15	1474	1480	1457
20	1381	1414	1359
25	1234	1293	1212
30	1025	1113	1013
35	784	880	782
40	537	642	543
45	304	406	315
50	120	213	147
55	43	94	58
60	18	33	18
65	12	14	12
70	8	9	8
75	5	6	5
80	3	4	3
85	1	2	2



©2011 Philips Omega
 All rights reserved.
 776 South Green Street • Tupelo, MS 38804
 p. 800.234.1890 • f. 662.841.5501
 www.omegalighting.com
 Canadian Division
 189 Bullock Drive • Markham, Ontario L3P 1W4
 p. 905.294.9570 • f. 905.294.9811

Contact Factory for Additional Configurations.
 Specifications are subject to change without notice.

Some luminaires use fluorescent or high intensity discharge (HID) lamps that contain small amounts of mercury. Such lamps are labeled, "Contain Mercury" and/or the symbol "HG". Lamps that contain mercury must be disposed of in accordance with local requirements. Information regarding lamp recycling and disposal can be found at www.lamprecycle.org

