

212pendant

TRANSLUCENT

COMPACT FLUORESCENT - POLYCARBONATE SHROUD

212 Application Concept... General lighting that offers a unique solution that reduces glare without compromising visual comfort. Intended for use in hospitality, corporate and retail environments that require more than the usual aesthetics and performance.

LED Color Accent

This unique feature allows only the exterior of the luminaire to have color-specific options without compromising the quality of light.

Finish

Metallized finishes or painted.

Material

Housing is die cast aluminum, with polycarbonate refractor and aluminum reflector.

Mounting

Surface - Accommodates standard 3.5" or 4" octagonal junction box

UL Listed damp location. IBEW union made.



collection	lamp BY OTHERS	finish	shroud	suspension method	options	voltage/options
OR212	32PLT 42PLT 57PLT 2 lamp options ³ 2V18QPL 2V26QPL	GR graphite PW pewter TI titanium CO copper BR bronze BK black paint WH white paint AL aluminum paint for custom or RAL colors consult factory	POLY polycarbonate	A ¹ 120' aircraft cables with cord S ² 17" stem with swivel canopy	CL clear lens PL Pattern 73 Prismatic Lens	U CFL 120-277V electronic ballast LED Shroud Accent ⁴ LEDB12 Blue LED LEDA12 Amber LED LEDG12 Green LED LEDR12 Red LED F1 fuse 120 F2 fuse 277 Advance Mark X Dimming DX1 Dimming Advance Mark X, 120V DX2 Dimming Advance Mark X, 277V Lutron Compact SE Dimming DL1 Dimming Lutron Compact SE, 120V DL2 Dimming Lutron Compact SE, 277V

Omega Lighting 5 Year Limited
Warranty
U.L. and cUL listed damp
location.

IBEW union made.

Footnotes:
1. Black cord standard, except on white
painted finish.
2. Add length following option for longer
stems, example :S36.
3. Not available with LED accent option.
4. LED accent option requires 120VAC only.



CAT NO.: _____
TYPE: _____
PROJECT: _____

OT2-9
7/10

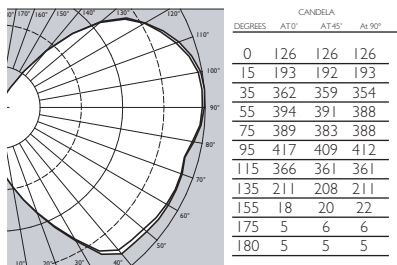
212pendant



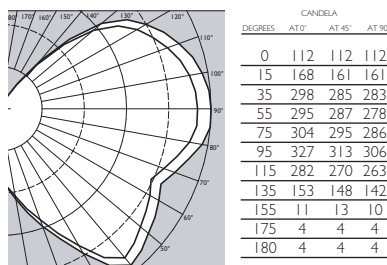
COMPACT FLUORESCENT - POLYCARBONATE SHROUD

photometric data 0° (parallel)
 90° (normal)

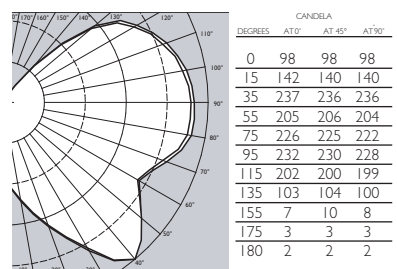
Additional photometric test files are available at www.originslighting.com



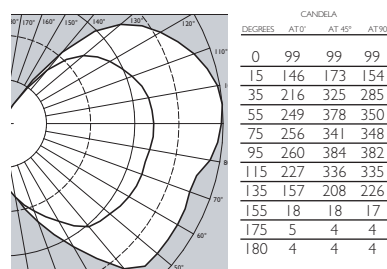
OR21257PLT-XX-POLY-X-U
 Report number: 28809
 Lamp: (1)CFT57W
 Fixture Efficiency: 94.0%
 S/MH Ratio (0 degree plane): 3.1
 (90 degree plane): 3.1
 Total Fixture Lumens: 4044
 IES file: 28809.IES



OR21242PLT-XX-POLY-X-U
 Report number: 28815
 Lamp: (1)CFT42W
 Fixture Efficiency: 95.7%
 S/MH Ratio (0 degree plane): 2.8
 (90 degree plane): 2.8
 Total Fixture Lumens: 3062
 IES file: 28815.IES

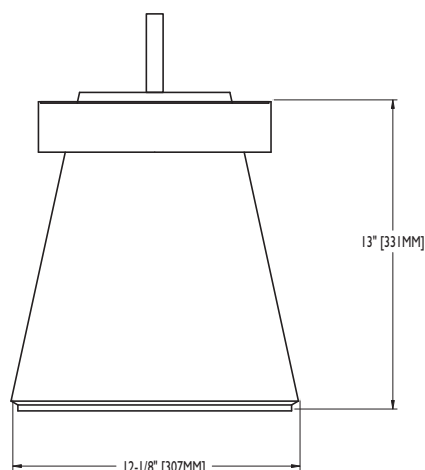
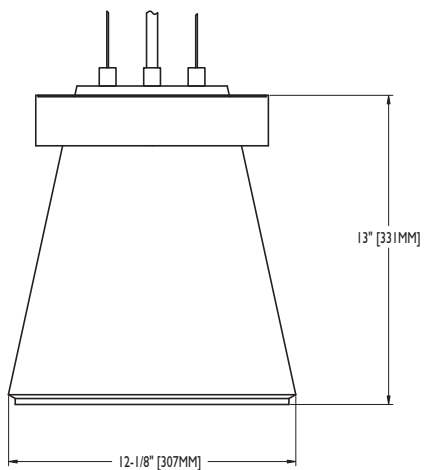


OR21232PLT-XX-POLY-X-U
 Report number: 28816
 Lamp: (1)CFT32W
 Fixture Efficiency: 94.8%
 S/MH Ratio (0 degree plane): 2.6
 (90 degree plane): 2.6
 Total Fixture Lumens: 2274
 IES file: 28816.IES

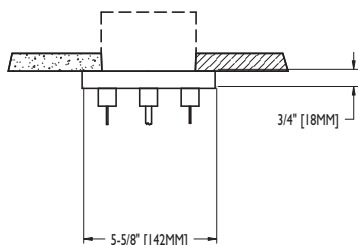


OR2122V26QPL-XX-POLY-X-U
 Report number: 28817
 Lamp: (2) CFQ26W
 Fixture Efficiency: 95.6%
 S/MH Ratio (0 degree plane): 2.8
 (90 degree plane): 3.3
 Total Fixture Lumens: 3491
 IES file: 28817.IES

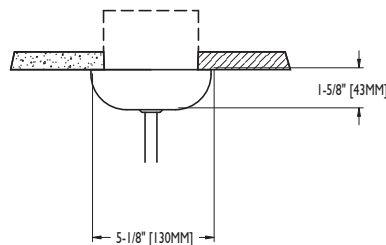
dimensions



suspension mount



canopy mount dimensions



OT2-9

776 SOUTH GREEN ST., TUPELO, MS 38804 · PHONE 662.842.7212 · FAX 662.841.5501 · WWW.OMEGALIGHTING.COM
 CANADIAN DIVISION: 189 BULLOCK DRIVE, MARKHAM, ONTARIO, CANADA L3P 1W4 · PHONE 905.294.9570 · FAX 800.268.0003
 WWW.ORIGINSLIGHTING.COM 7/10