

application

- An enclosed, spun aluminum reflector with a clear tempered glass lens for use in applications requiring enclosed or wet location (optional) protection.

construction and features

- 3/4" threaded cast aluminum nut and hub for easy, positive mounting.
- Heavy wall, two piece die cast aluminum housing with white polyester powder finish.
- Die cast aluminum neck provides positive mounting of reflector to ballast assembly.
- Precision spun heavy gauge aluminum reflector with clear anodized finish.
- Hinged door with tempered glass lens.
- Large wiring access with captive retainer screw.

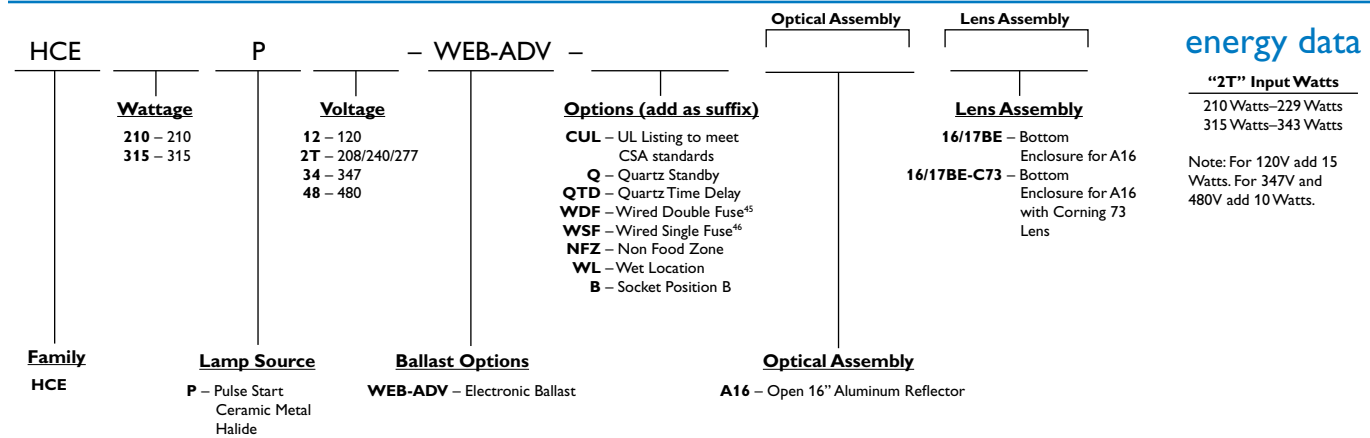
electrical

- UL 1598 Listed suitable for damp location and 50°C ambient for 315W, 55°C ambient for 210W.
- Philips Electronic Ballast.
- Philips Master Color Elite CDM lamp with 90 CRI.

Specifier's Reference

Project
Type
Model No.
Comments

Green Choice:



Accessories (Order Separately)

- CH – Cover Half for Power Hook (use with PB)
- PB – Power Box for Power Hook (use with CH)
- HP12 – Hook, Cord-Plug Assembly 120V
- HP25 – Hook-Cord-Plug Assembly 208-240V
- HP27 – Hook-Cord-Plug Assembly 277V
- HP48 – Hook, Cord-Plug Assembly 480V
- HMR – Suspension Hook Male
- LMR – Suspension Loop Male
- SCB3 – Ballast Retainer Chain 3'
- SCR2 – Safety Chain Reflector 2'
- WGN16/17 – Wire Guard

(Refer to Section 18000 for additional accessories.)

Footnotes

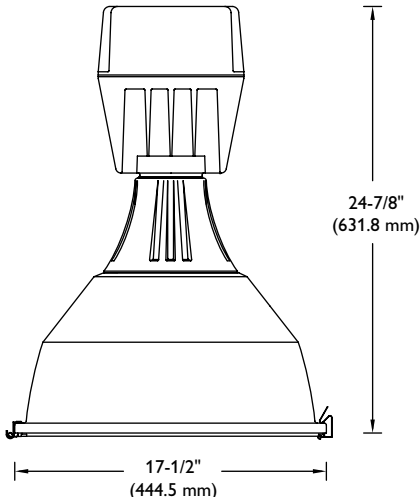
- ⁴⁵Use with 208, 240 and 480 volt.
- ⁴⁶Use with 120, 277, and 347 volt.

General Notes

All accessories are field installed.
All options factory installed.

Warning

Refer to and follow the lamp manufacturer's warnings
and instructions.



photometry

315 watt Pulse Start Ceramic Metal Halide

Efficiency – 72.5%

LER – 79

TER – 40

Catalog No.	HCE315P2T-B-A16-16/17BE-C73
Test No.	28103
Wide Spread S/MH	2.0
Lamp Type	315WCMH
Lumens/Lamp	37800
Ballast Factor	1.0
Input Watts	344

Candlepower	
Angle	Avg. Candela
0	6075
5	6372
10	7041
15	7876
20	8592
25	9094
30	9848
35	10222
40	9634
45	8081
50	6021
55	4338
60	3100
65	2200
70	1590
75	1154
80	778
85	370

Comparative yearly lighting energy cost per 1000 lumens – **\$3.75** based on 3000 hrs. and \$.08 pwr KWH.

The photometric results were obtained in the Philips Day-Brite laboratory which is NVLAP accredited by the National Institute of Standards and Technology.

Light Distribution				Average Luminance			
Degrees	Lumens	% Lamp	% Luminaire	Angle	End	45°	Cross
(0-30)	7139	18.9	26.0	45	76371	76651	81093
(0-40)	13443	35.6	49.0	55	47599	53671	53683
(0-60)	23539	62.3	85.8	65	34514	36728	35419
(0-90)	27424	72.6	100.0	75	29999	30237	31107
				85	29147	28128	29774

Coefficients of Utilization																				
EFFECTIVE FLOOR CAVITY REFLECTANCE 20 PER (pfc=0.20)																				
Ceil	80				70				50				30				10			
	70	50	30	10	70	50	30	10	50	30	10	50	30	10	50	30	10			
Wall	RCR																			
0	86	86	86	86	84	84	84	84	81	81	81	77	77	77	74	74	74			
1	79	76	73	71	78	75	72	70	72	69	67	69	67	65	66	65	63			
2	73	67	62	59	71	66	61	58	63	60	57	61	58	55	59	56	54			
3	67	59	54	49	65	58	53	49	56	52	48	54	50	47	52	49	46			
4	61	53	47	42	59	52	46	42	50	45	41	48	44	40	47	43	40			
5	56	47	41	36	55	46	40	36	45	39	35	43	39	35	42	38	35			
6	52	42	36	31	50	42	36	31	40	35	31	39	34	31	38	34	30			
7	48	38	32	28	47	38	32	27	37	31	27	35	31	27	34	30	27			
8	44	35	29	24	43	34	28	24	33	28	24	32	28	24	31	27	24			
9	41	32	26	22	40	31	26	22	30	25	22	30	25	21	29	25	21			
10	39	29	23	20	38	29	23	19	28	23	19	27	23	19	27	22	19			

Additional Test Numbers:
HCE315P2T-WEB-ADV-B-A16-16/17BE – 27977



©2011 Philips Day-Brite
All rights reserved.
776 South Green Street • Tupelo, MS 38804
p. 800.234.1890 • f. 662.841.5501 • www.daybrite.com
Canadian Division
189 Bullock Drive • Markham, Ontario L3P 1W4
p. 905.294.9570 • f. 905.294.9811

Contact Factory for Additional Configurations.
Specifications are subject to change without notice.
Consult website for latest version of this spec sheet.

Some luminaires use fluorescent or high intensity discharge (HID) lamps that contain small amounts of mercury. Such lamps are labeled, "Contain Mercury" and/or the symbol "HG". Lamps that contain mercury must be disposed of in accordance with local requirements. Information regarding lamp recycling and disposal can be found at www.lamprecycle.org

