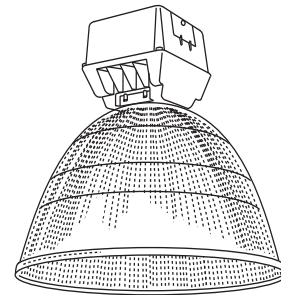


JOB NAME _____
 TYPE _____

HBC OPEN HIGH BAY ACRYLIC REFLECTORS

26, 32, or 42 watt Compact Fluorescent

The HBC Compact Fluorescent High Bay Luminaire features open, acrylic reflectors for maximum efficiency in gymnasiums, warehouses, educational, retail and commercial applications where uplight is required.



ORDERING MATRIX

SAMPLE CATALOG NUMBER: HBC826/32/42CU-AR22

HBC		26/32/42	C	U		
BALLAST ASSEMBLY HBC		WATTAGE 26/32/42		VOLTAGE U - Universal 108-305 volts 50Hz or 60 Hz		
	LAMP QUANTITY 2 or 4-16" Reflector 4 or 6-19" Reflector 6 or 8-22" Reflector 6 or 8-25" Reflector		LAMP SOURCE C - Compact Fluorescent		OPTICAL ASSEMBLY AR16 - Open 16" Acrylic Reflector AR19 - Open 19" Acrylic Reflector AR22 - Open 22" Acrylic Reflector AR25 - Open 25" Acrylic Reflector	OPTIONS D2 - Electronic Dimming Ballast for (2) lamps WSF - Wired Single Fuse ⁴⁵ WDF - Wired Double Fuse ⁴⁶ EM - Wired for use with DEB-9 emergency ballast (order separately) DEB-9 to be remote mounted within 3' of HBC Luminaire.

ACCESSORIES (ORDER SEPARATELY)

- WCG19-HBC - Wire cage for 16" and 19" Acrylic Reflectors
- WCG25-HBC - Wire cage for 22" and 25" Acrylic Reflectors
- CH - Cover Half for Power Hook (use with PB)
- PB - Power Box for Power Hook (use with CH)
- HP12 - Hook-Cord-Plug Assembly 120V
- HP25 - Hook-Cord-Plug Assembly 208-240V
- HP27 - Hook-Cord-Plug Assembly 277V
- HMR - Suspension Hook Male
- LMR - Suspension Loop Male
- WGA16 - Wire Guard 16" Acrylic
- WGA19 - Wire Guard 19" Acrylic
- WGA22 - Wire Guard 22" Acrylic
- WGA25 - Wire Guard 25" Acrylic
- LBA-RD - Decorative Cover (6 Lamps Max. 25°C w/lens)

Caution: Lens assemblies cannot be used with all configurations. See ambient table for availability.

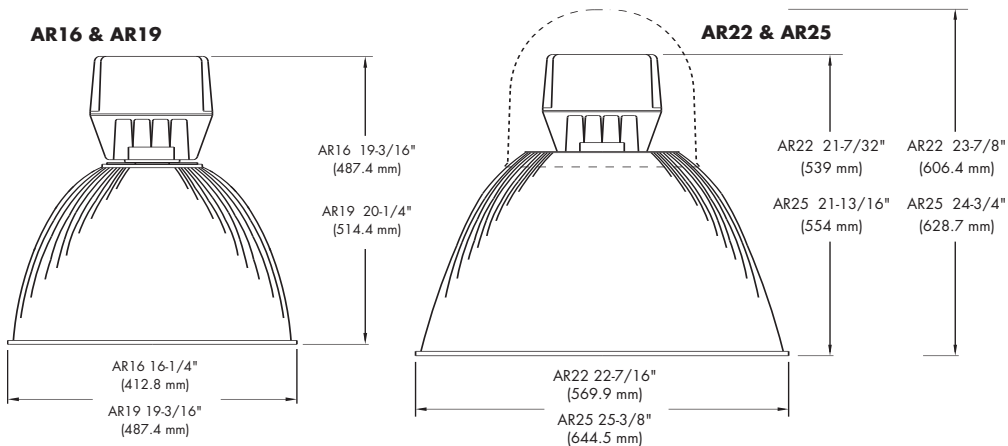
- 16FL - 16" Flat Acrylic Lens
- 16CL - 16" Conical Acrylic Lens
- 16DL - 16" Drop Acrylic Lens
- 19FL - 19" Flat Acrylic Lens
- 19CL - 19" Conical Acrylic Lens
- 22FL - 22" Flat Acrylic Lens
- 22CL - 22" Conical Acrylic Lens
- 22DL - 22" Drop Acrylic Lens
- 25FL - 25" Flat Acrylic Lens
- 25DL - 25" Drop Acrylic Lens

General Notes:

All accessories are field installed.
 All options factory installed.
 Lens Assemblies cannot be used on all configurations.
 See ambient table for availability.

(Refer to Section 18000 for additional accessories.)

DIMENSIONS



ENERGY DATA

LAMP WATTS	LAMP QUANTITY	INPUT WATTS
26	2	55
	4	110
	6	165
	8	220
32	2	68
	4	136
	6	204
	8	272
42	2	93
	4	186
	6	279
	8	372

8-CFT42W - AR22

WIDE SPREAD S/MH = 2.2

TEST NO. 21546

DISTRIBUTION CURVE	COEFFICIENTS OF UTILIZATION										AVERAGE BRIGHTNESS				ZONAL SUMMARY				CANDLEPOWER												
	EFFECTIVE FLOOR CAVITY REFLECTANCE 20 PER (pfc=0.20)										ZONE	END	45	CROSS	Degrees	Lumens	% Lamp	% Fixture	Angle	Avg. Candela	Angle	Avg. Candela									
	CEIL	80		70		50		30		10		45	10849	10725	10796	(0-30)	2275	8.9	13.4												
	WALL	70	50	30	10	70	50	30	10	50	30	10	50	30	10	55	8686	8537	8673	(0-40)	4526	17.7	26.7	0	1846	95	1017				
	RCR	0	75	75	75	72	72	72	65	65	65	59	59	59	54	54	54	65	5039	4885	4823	(0-60)	9320	36.4	55.1	5	1896	105	899		
		1	67	63	60	57	63	60	57	54	54	52	50	49	47	46	45	43	42	75	4536	4532	4508	(0-90)	13047	51.0	77.1	15	2272	115	729
		2	60	54	49	45	57	52	47	43	47	43	40	42	40	37	38	36	34	85	5241	5213	5179	(90-180)	3875	15.1	22.9	25	3057	125	567
		3	55	47	41	37	52	45	40	35	41	36	33	37	33	30	33	31	28				(0-180)	16921	66.1	100.0	35	3612	135	423	
		4	50	41	35	31	47	39	34	30	36	31	28	32	29	26	29	26	24							45	3324	145	261		
		5	45	37	30	26	43	35	29	25	32	27	23	29	25	22	26	23	20				COMPARATIVE YEARLY LIGHTING ENERGY COST PER 1000 LUMENS = \$4.21 BASED ON 3000 HRS. AND \$.08 PER KWH. LER=57								
		6	42	33	26	22	39	31	25	21	28	24	20	26	22	19	23	20	17							55	2560	155	126		
		7	38	29	23	19	36	28	22	18	26	21	17	23	19	16	21	18	15							65	1381	165	101		
	8	35	26	21	17	34	25	20	16	23	18	15	21	17	14	19	16	13							75	1112	175	135			
	9	33	24	18	15	31	23	18	14	21	16	13	19	15	12	18	14	12							85	1094					
	10	31	22	17	13	29	21	16	13	19	15	12	18	14	11	16	13	10													

These photometric results were obtained in the Day-Brite Lighting Laboratory which is NVLAP accredited by the National Institute of Standards and Technology.

ADDITIONAL TEST NUMBERS

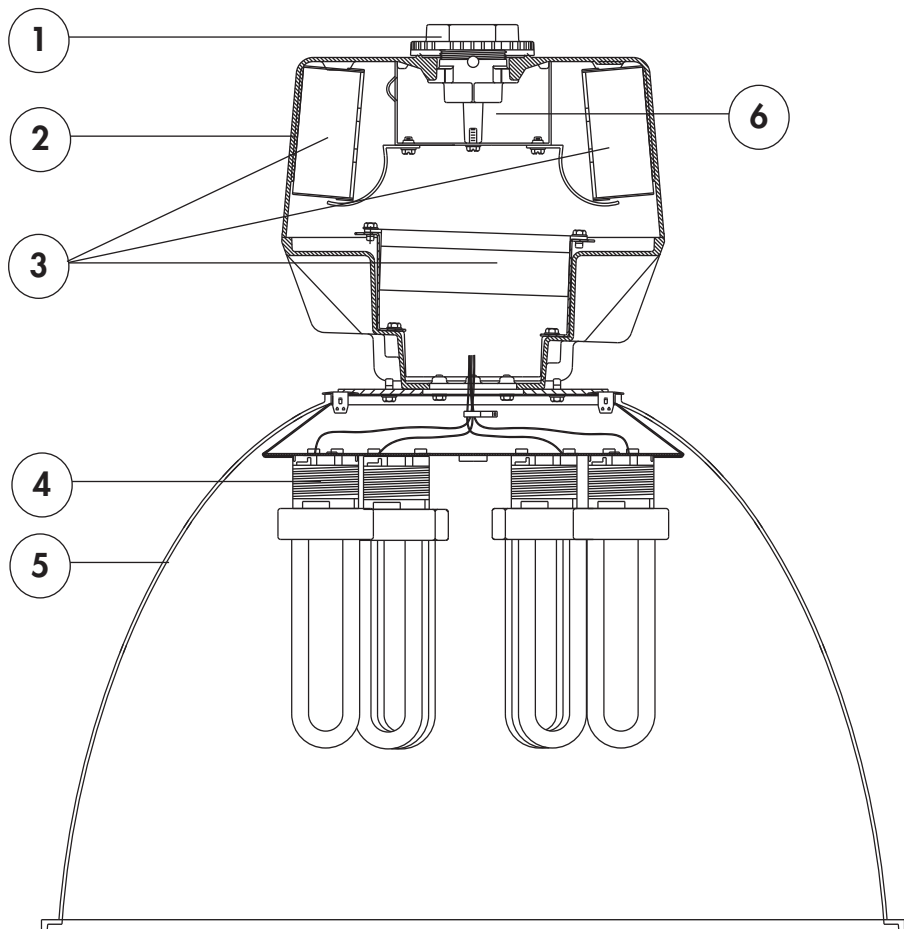
AMBIENT TABLE

REFLECTOR TYPE	NO. OF LAMPS	TEST NUMBER
AR16	2-CFT42W	21557
AR16	4-CFT42W	21555
AR19	4-CFT42W	21552
AR19	6-CFT42W	21549
AR22	6-CFT42W	21547
AR22	8-CFT42W	21546
AR25	6-CFT42W	21538
AR25	8-CFT42W	21537

42 WATT AMBIENT TEMPERATURE RATINGS				
REFLECTOR	LAMPS	AMBIENT-°C	OPEN	ENCLOSED
AR16	4-42W	40	✓	✓
AR19	4-42W	40	✓	✓
AR19	6-42W	25	✓	✓
AR19	6-42W	30	✓	N/A
AR22	6-42W	40	✓	✓
AR22	8-42W	30	✓	N/A
AR25	6-42W	40	✓	✓
AR25	8-42W	30	✓	N/A

PRODUCT FEATURES

- UL 1598 Listed suitable for damp location.
- 1. 3/4" threaded cast aluminum nut and hub for easy, positive mounting.
- 2. Heavy wall, two piece die cast aluminum housing with white polyester powder finish.
- 3. Electronic ballasts have: programmed start for extended lamp life; end of lamp life protection; 0°F cold starting; no infrared interference; THD<10%; sound rated A.
- 4. Locking sockets keep lamps securely in place during operation.
- 5. Injection molded 100% virgin acrylic prismatic reflector.
- 6. Large wiring access with captive retainer screw.



Visit our web site at www.daybritelighting.com

776 South Green Street Tupelo, MS 38804 Phone: 662-842-7212 Fax: 662-841-5501

HB-10040.2

189 Bullock Drive Markham, Ontario Canada L3P 1W4 Phone: 905-294-9570 Fax: 905-294-8911
Day-Brite Lighting reserves the right to make changes without notice. ©September 2007

