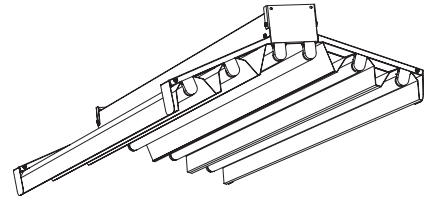


JOB NAME \_\_\_\_\_  
 TYPE \_\_\_\_\_

# FHB FLUORESCENT HIGH BAY LUMINAIRE

## 6 Lamp T8 or T5/HO Fluorescent

The FHB Fluorescent High Bay Luminaire features an angled design and specular reflectors for an efficient alternative in industrial lighting applications.



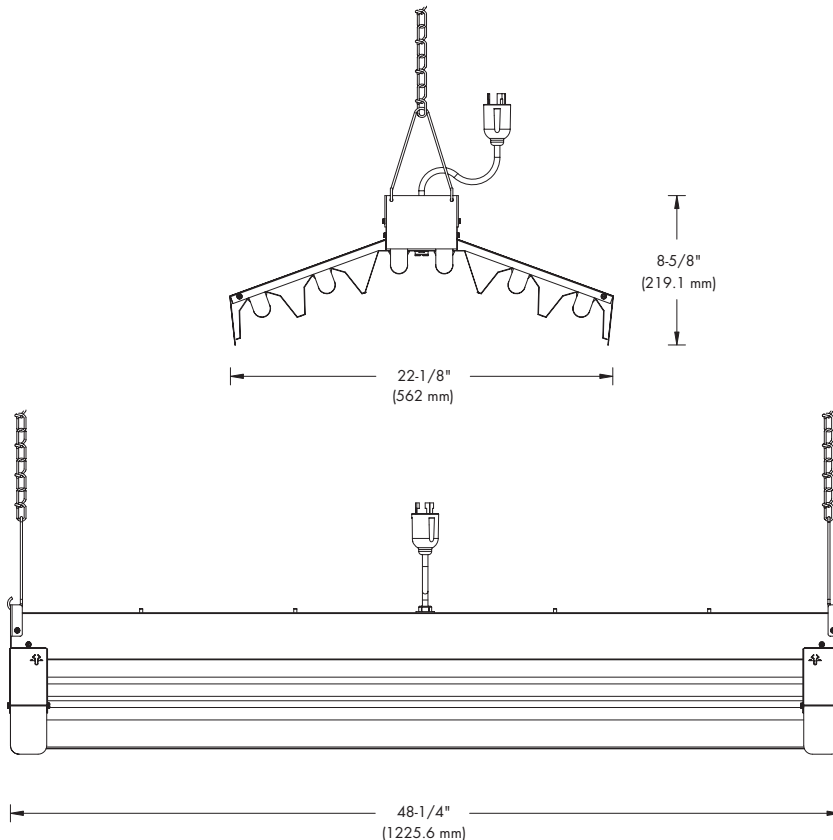
### ORDERING MATRIX

SAMPLE CATALOG NUMBER: FHB632-277-2/3-EBH-WHP3

<b>FHB</b>	<b>6</b>				
<b>FIXTURE FAMILY</b> FHB	<b>LAMP QUANTITY</b> 6	<b>LAMP TYPE/WATTAGE</b> 32 - 32WT8 (48") 54HO - 54WT5HO (46")	<b>VOLTAGE</b> 120 277 347	<b>BALLAST</b> 2/3-EB - Two 3 Lamp Electronic Ballasts 2/3-EBH - Two 3 Lamp Electronic Ballasts-High Ballast Factor (32WT8 only) 2/3-EBD - Two 3 Lamp Electronic Ballasts-Dimming (32WT8 only) 3/2-EB - Three 2 Lamp Electronic Ballasts 3/2-EBH - Three 2 Lamp Electronic Ballasts-High Ballast Factor (32WT8 only) 3/2-EBD - Three 2 Lamp Electronic Ballasts-Dimming 1/42-EB - one 4 lamp and one 2 lamp Electronic Ballast	<b>OPTIONS</b> WHP3 - Wired 3' Cord and Plug Assembly U - Uplight

**General Notes:**  
All options factory installed.

### DIMENSIONS



### ENERGY DATA

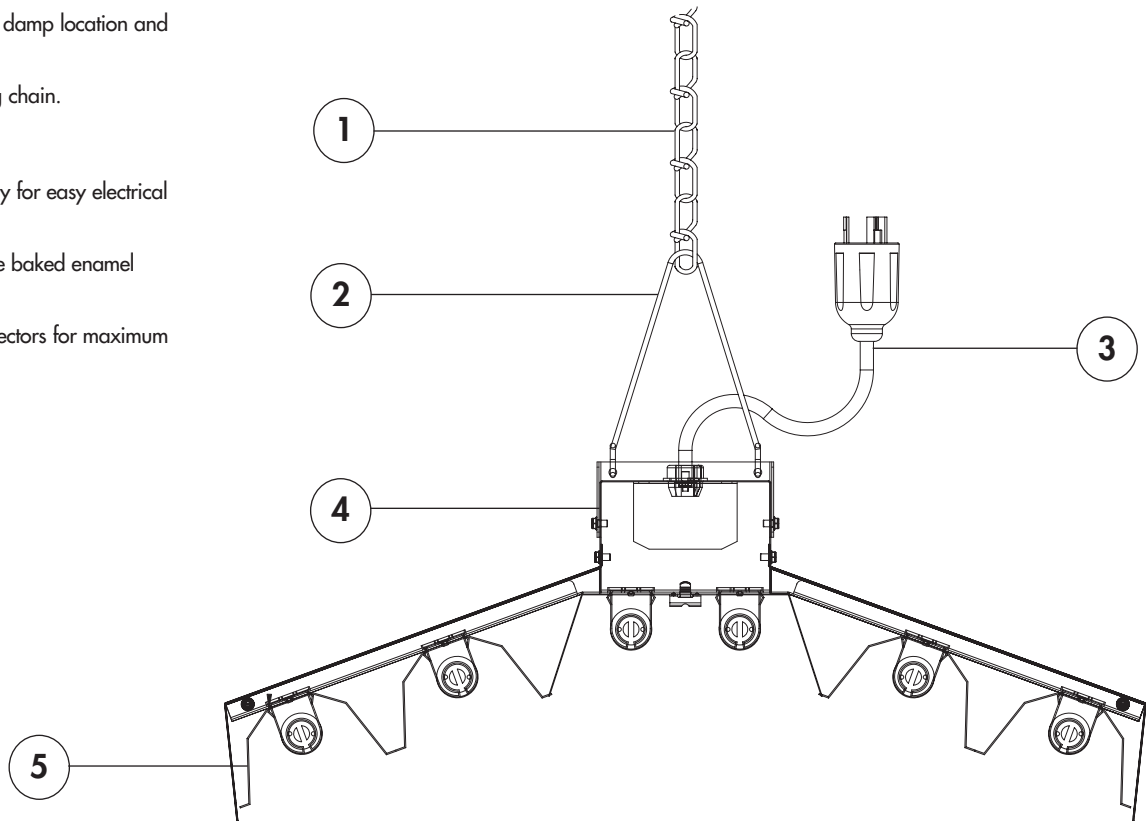
LAMP WATTS	BALLAST TYPE	INPUT WATTS
32	2/3-EB	170
	2/3-EBH	222
	3/2-EB	174
	3/2-EBH	231
54	1/42-EB	177
	2/3-EB	364
	3/2-EB	354
	1/42-EB	358

DISTRIBUTION CURVE		COEFFICIENTS OF UTILIZATION										AVERAGE BRIGHTNESS				ZONAL SUMMARY				CANDLEPOWER											
		EFFECTIVE FLOOR CAVITY REFLECTANCE 20 PER (pfc=0.20)										ZONE	END	45	CROSS	Degrees	Lumens	% Lamp	% Fixture	Angle	Avg. Candela	Angle	Avg.								
		Ceil	80	70	50	30	10						45	5859	6190	5807	0-30	3764	22.0	26.2											
		Wall	70	50	30	10	70	50	30	10	50	30	10	55	5291	5094	4391	0-40	6335	37.0	44.1	0	4576	95	11						
		RCR	0	100	100	100	100	97	97	97	93	93	89	89	89	85	85	85	65	4554	3628	3858	0-60	11312	66.2	78.8	5	4568	105	9	
		1	91	87	83	80	89	85	82	79	81	79	76	78	76	74	75	73	72	75	3375	2797	2409	0-90	14250	83.3	99.3	15	4546	115	10
		2	83	76	70	65	81	74	69	64	71	67	63	68	65	61	66	63	60	85	1605	1062	728	90-180	100	0.6	0.7	25	4367	125	14
		3	75	67	60	54	73	65	59	54	63	57	53	60	56	52	58	54	51	0-180	14349	83.9	100.0	35	4045	135	21				
		4	69	59	51	46	67	58	51	45	56	49	45	53	48	44	52	47	43					45	3379	145	27				
		5	63	53	45	39	62	52	44	39	50	43	39	48	42	38	46	42	38	COMPARATIVE YEARLY LIGHTING ENERGY COST PER 1000 LUMENS = \$3.08 BASED ON 3000 HRS. AND \$.08 PER KWH. LER=78				55	2440	155	34				
		6	58	47	40	34	57	46	39	34	45	38	34	43	38	33	42	37	33					65	1638	165	44				
		7	54	43	35	30	53	42	35	30	41	34	30	39	34	29	38	33	29	These photometric results were obtained in the Day-Brite Lighting Laboratory which is NVLAP accredited by the National Institute of Standards and Technology.				75	884	175	61				
		8	50	39	32	27	49	38	31	27	37	31	26	36	30	26	35	30	26					85	219						
9	47	36	29	24	46	35	28	24	34	28	24	33	28	24	32	27	23														
10	44	33	26	22	43	32	26	22	32	26	22	31	25	21	30	25	21														

PRODUCT FEATURES

UL 1598 Listed suitable for damp location and 40°C ambient.

1. 5' heavy duty mounting chain.
2. "V" mounting hook.
3. Cord and plug assembly for easy electrical disconnect.
4. Steel housing with white baked enamel finish.
5. Specular aluminum reflectors for maximum efficiency.



Visit our web site at [www.daybritelighting.com](http://www.daybritelighting.com)

776 South Green Street Tupelo, MS 38804 Phone: 662-842-7212 Fax: 662-841-5501

HB-10039

189 Bullock Drive Markham, Ontario Canada L3P 1W4 Phone: 905-294-9570 Fax: 905-294-8911  
 Day-Brite Lighting reserves the right to make changes without notice. ©November 2002. DL2.5M1102  
 Day-Brite Lighting is a Genlyte Thomas Group.

