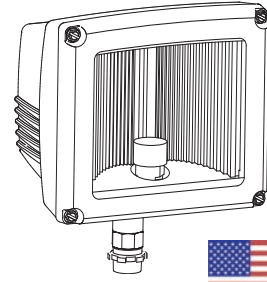


# NITEO BRITES

## FSN-MINI FLOODLIGHT 20-70 watt Metal Halide

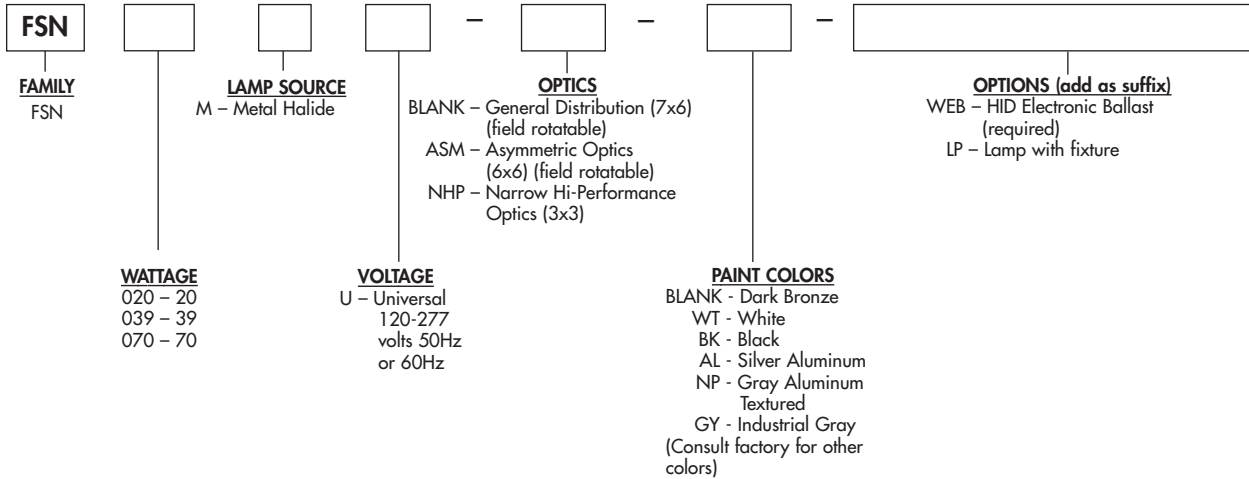


JOB NAME \_\_\_\_\_  
TYPE \_\_\_\_\_

The Mini Floodlight gives the precision and maneuverability needed to create an attractive and functional lighting scheme in a compact package. Use the Mini Floodlight for landscapes, security, signs and displays.

### ORDERING MATRIX

SAMPLE CATALOG NUMBER: FSN070MU-WEB-LP



### ACCESSORIES (order separately)

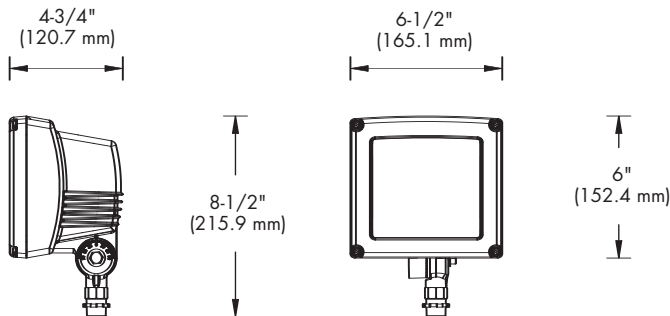
- CAM - Crossarm Adapter
- PTF - Post Top Slipfitter
- VSFSN - Vandal Shield
- PBM - Pipe Bracket
- VFSN - Visor
- WGFSN - Wire Guard
- WTM - Wiring Trough
- WBF - Wall mount bracket

(For additional descriptions of Floodlight accessories refer to sheet number OA-50010.1)

**General Notes:**  
All options are factory installed.  
G8.5 base lamp only.  
All accessories are field installed.  
Data subject to change without notice.

**Warning:** Refer to and follow the lamp manufacturer's warnings and instructions.

### DIMENSIONS



### ENERGY DATA

<b>METAL HALIDE</b>	
ELECTRONIC BALLAST INPUT WATTS	
20 watt-26 watts	
39 watt-46 watts	
70 watt-80 watts	

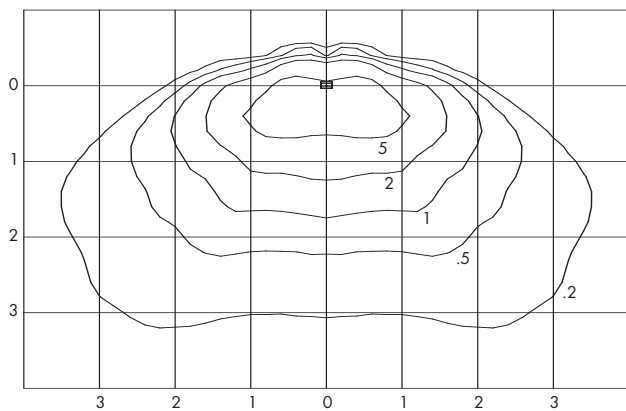
EPA = .22 sq. ft.  
WEIGHT = 8 lbs. (max.)

FSN-MINI FLOODLIGHT

FL-41042

**PHILIPS**  
**Day-Brite**

## PHOTOMETRICS



UNITS SHOWN IN TERMS OF MOUNTING HEIGHT  
INITIAL FOOTCANDLES SHOWN

CATALOG NUMBER: FSN070M  
TEST NUMBER: 26892  
LAMP: METAL HALIDE  
WATTAGE: 70  
LUMENS: 6,200  
TILT ANGLE: 45°  
MOUNTING HEIGHT: 10 FEET

LIGHT LEVEL MULTIPLYING FACTORS	
MOUNTING HEIGHT	MULTIPLIER
20'	0.25
15'	0.44
12'	0.69
10'	1.00
8'	1.56

### ADDITIONAL TEST NUMBERS

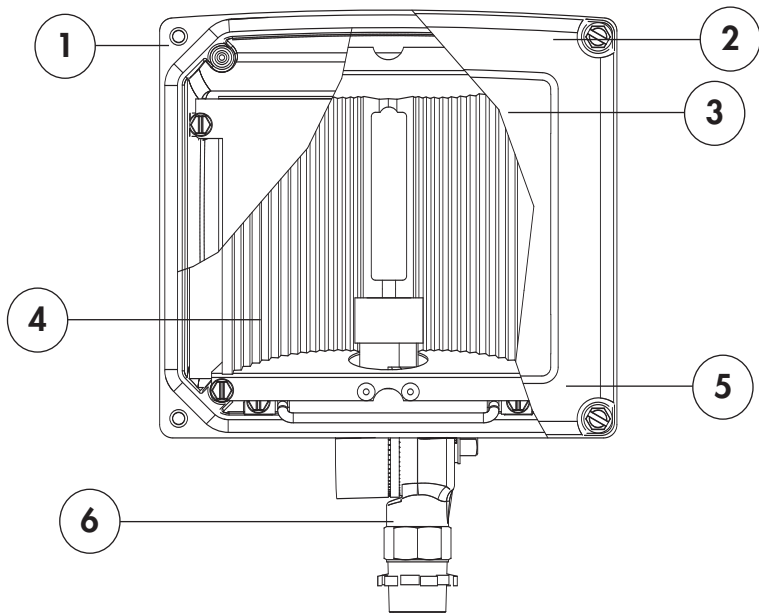
DESCRIPTION/CATALOG NUMBER	TEST NUMBER
FSN039M	26892P
FSN020M	268922
FSN070M-ASM	26893
FSN039M-ASM	26893P
FSN020M-ASM	268932
FSN070M-NHP	26894
FSN039M-NHP	26894P
FSN020M-NHP	268942

## PRODUCT FEATURES

Certified to meet UL1598 standards for wet location and 25°C ambient for all lamp wattages listed. IP65 Rated.

1. Sturdy one piece die cast aluminum housing with internal hinge.
2. One piece die cast aluminum door has stainless steel, captive door fasteners for easy maintenance.
3. Door has tempered glass lens which is thermal shock and impact resistant.
4. Anodized aluminum reflector.
5. Polyester powder finish for excellent impact, corrosion and UV resistance.
6. 1/2" NPT die cast aluminum arm mount.

**Five Year Limity Warranty**



**FL-41042**

**DAY-BRITE LIGHTING** • [www.daybritelighting.com](http://www.daybritelighting.com)  
776 South Green Street • Tupelo, Mississippi 38804 • PH: (662) 842-7212 • FAX: (662) 841-5501  
**CANADIAN DIVISION**  
189 Bullock Drive • Markham, Ontario L3P 1W4 • PH: (905) 294-9570 • FAX: (905) 294-9811  
©JUNE 2010 All rights reserved.

**PHILIPS**  
**Day-Brite**