



Job Name: _____

Type: _____

Voltage: _____

CODES AND STANDARDS

ETL Listed to UL 924 Standard.
NFPA 101 (Life Safety Code), NEC 70.
California Energy Commission.

VOLTAGE INPUT

120/277 selectable input.

HOUSING

Surface mount exits are durable extruded aluminum construction with easy to install canopy. Universal mount exits have extruded aluminum housing and trim plate. Adjustable bar hangers adapt housing for mounting in suspended ceiling.

FINISH

Surface mount exits are only available with satin aluminum finish. Universal mount exits are available in satin aluminum and white. If a surface mount exit with white finish is required, a universal mount exit with white finish must be ordered.

CONSTRUCTION

Compact, low-profile decorative design with high grade acrylic panel. Exit panel rotates for wall, ceiling or sloped ceiling to any angle from 0° to 180°, and can be locked into place. All models are provided with field installable directional indicators. Single-face exits have a clear background and double-face exits are provided with a mirror background.

INSTALLATION

Surface mount exits include a tri-mount canopy that allows for ceiling, wall and end mounting all in one unit. Universal mount exits include a back box for recessed ceiling or wall mounting as well as tri-mount canopy for ceiling, wall or end surface mounting.

ELECTRONICS

Dual voltage 120/277 VAC input with surge protection. Emergency models provide solid-state charging system with low voltage disconnect, AC lockout and brownout features.

BATTERY

Emergency models utilize a self-contained, maintenance-free nicad battery that will provide a minimum of 90 minutes of illumination. Operating temperature range of 20°F (-7°C) to 95°F (35°C).

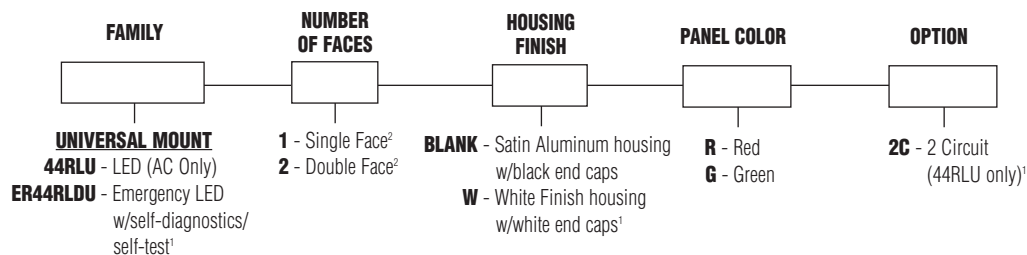
SELF-DIAGNOSTIC/SELF-TEST

Universal mount emergency exits, ER44RLDU, have self-diagnostic/self-test circuitry as a standard feature.

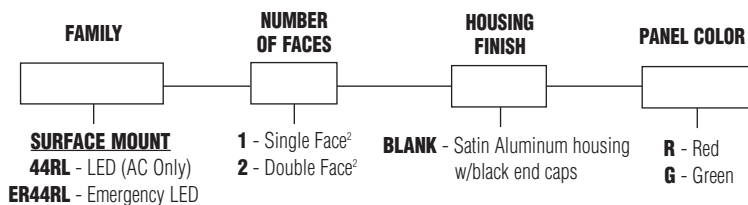
WARRANTY

Three full year warranty on electronics and unit.

UNIVERSAL MOUNT EXIT CATALOG NUMBER (Example: ER44RLDU2R)



SURFACE MOUNT EXIT ONLY CATALOG NUMBER (Example: 44RL2R)



SURFACE MOUNT ACCESSORIES (RECESSED CONVERSION KITS)

44RRCK AC only, aluminum trim
ER44RRCK Nicad battery, aluminum trim

Footnotes:

¹ Available for Surface Mount applications, but only if ordered as a Universal Mount exit sign.

² Single-face exits are provided with a clear background, and double-face exits are provided with mirror background. (Consult factory for single-face signs with a mirror background.)

44R LINE LED Universal Edge-Lit Exits

SPECIFICATIONS

WATTAGES

Consumes 3 watts at 120V.

MOUNTING

44RL and ER44RL are surface mount only exit signs. They can be wall, end or ceiling mounted. 44RLU and ER44RLDU signs are universal mount. They can be recessed mounted (wall or ceiling) or surface mounted (wall, ceiling, or end).

PANEL

Signage contains 6" letter height with 3/4" stroke. The panel is clear acrylic. Chevrons may be applied in the field by simply placing chevron in the cut out area of template already attached to panel. Remove template after chevron is attached.

CONVERSION

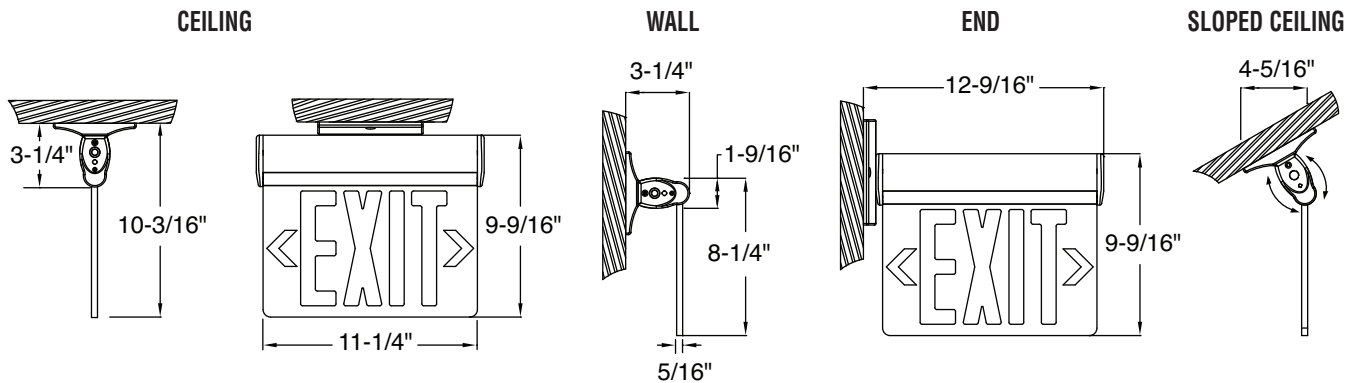
If surface mounted exits were ordered and shipped to the job, but recessed exits are required instead, the surface mount exits can be converted to recessed mount by ordering the Recessed Conversion Kits (See Accessories.)

CIRCUITRY

All ER44RLDU exits feature a self-diagnostic/self-test circuitry, which will indicate a warning when any of the key components (battery, lamps, charger board, and transformer) malfunctions and needs replacing. The SD/ST circuitry performs an automatic test: 1 minute every month, 30 minutes every 6th month of the year, and a 90 minute test on the 12th month of the year. A manual test can be activated at any time by simply pushing the test button.

DIMENSIONS

SURFACE MOUNT:



RECESSED MOUNT:

