

Job Name: _____

Type: _____

Voltage: _____



- Damp location listed.
- End-of-lamp-life compatible.
- One T5, T5HO, or T8 operation.

CODES AND STANDARDS

UL Listed in accordance with the standards set forth in UL924, "Emergency Lighting and Power Equipment," and is UL Listed for factory installation or field retrofit. Emergency illumination time exceeds the National Electrical Code (NEC), Life Safety Code (NFPA-101) and UL924 90-minute requirements.

APPLICATION

The DEB-7LP low profile fluorescent emergency ballast works in conjunction with a low-profile or standard-size AC ballast to convert new or existing standard or high-output T5 fluorescent luminaires into unobtrusive emergency lighting. The emergency ballast consists of a high temperature nickel-cadmium battery, charger and electronic circuitry in one compact case. The DEB-7LP can be used with one 14-28W standard or 24-54W high-output T5; one 32W (4'), 40W (5') or 44W HO (4') T8; or one 36-55W (4-pin) long compact fluorescent lamp (see Table 1). It is also compatible with most one-, two-, three- and four-lamp electronic, standard, energy-saving and dimming AC ballasts. If used in an emergency-only fixture, no AC ballast is necessary. The DEB-7LP is suitable for indoor and damp locations and for sealed and gasketed fixtures, including fixtures rated for wet locations. It is not suitable for air handling heated air outlets or wet or hazardous locations. For information about specific lamp and ballast compatibility, please call the fac-

tory. Recommended applications include: emergency lighting for pendant, cove, recessed indirect/direct, surface-mount and architectural lighting commonly used in office, hospitality, healthcare, retail and educational facilities.

OPERATION

When AC power fails, the DEB-7LP immediately switches to the emergency mode, keeping one lamp illuminated at a high lumen output, then at reduced lumen output for a minimum of 90 minutes. When AC power is restored, the DEB-7LP automatically returns to the charging mode and delays AC ballast operation for five seconds to prevent false-tripping of AC ballast (end-of-life) shutdown circuits. The DEB-7LP uses a patent pending circuit to perform this AC ballast delay function. The suggested operating temperature range is 32°F (0°C) to 122°F (50°C).

BATTERY

Since high temperatures exist in fluorescent luminaires, the DEB-7LP uses a specially constructed, high temperature nickel-cadmium battery. This battery requires no maintenance, and has a life expectancy of 7 to 10 years.

RESTRICTIONS

Suitable for indoor and damp locations and for sealed and gasketed fixtures including installation inside of fixtures rated for wet locations. It is not suitable for installation in wet locations, hazardous locations or for air handling air outlet applications.

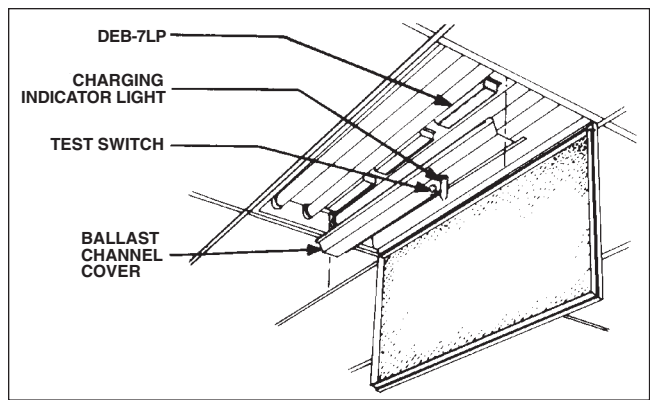
EMERGENCY ILLUMINATION

Produces 390 to 700 Lumens initial emergency light output. During emergency illumination, one lamp is illuminated, even if installed with a multi-lamp AC ballast.

INSTALLATION

This emergency ballast does not affect normal luminaire operation and may be used with either a switched or unswitched luminaire. If a switched luminaire is used, an unswitched hot lead must be connected to the emergency ballast. The emergency ballast must be fed from the same branch circuit as the AC ballast. The DEB-7LP may be installed inside, on top of or remote from the luminaire. The emergency ballast may be remote-installed up to half the distance the AC ballast manufacturer recommends remoting the AC ballast from the lamp, or up to 50 feet, whichever is less. Installation is not recommended with luminaires where the ambient temperature may fall below 0°C for extended periods.

For factory installed **DEB-7LP** use a suffix number **-E7LP** with luminaire catalog number.



DEB-7LP Low Profile Fluorescent Emergency Ballast 390 - 700 Lumens

SPECIFICATIONS

SUGGESTED SPECIFICATION

Emergency lighting shall be provided by using a standard fluorescent luminaire equipped with a low profile emergency ballast. *This emergency ballast shall delay AC ballast operation for five seconds to prevent false-tripping of AC ballast end-of-life shut-down circuits (using a patent-pending circuit), and consist of a high-temperature, maintenance-free nickel cadmium battery, charger and electronic circuitry contained in one 18.5"x1.18"x1.18" galvanized steel case. A solid-state charging indicator light to monitor the charger and battery, a single-pole test switch, and installation hardware shall be provided. The emergency ballast shall be*

capable of operating one _____ fluorescent lamp at _____ Lumens (see Table 1) initial light output in the emergency mode for a minimum of 90 minutes. This emergency ballast shall have 3.2 watts of input power, 13.2 watt-hour battery capacity, and comply with emergency standards set forth by the current NEC. The emergency ballast shall be UL Listed for installation inside, on top of, or remote from the luminaire, warranted for a full five years from date of purchase, and is made in the U.S.A.

ELECTRICAL & MECHANICAL

- Dual input voltage 120/277
- Electrical rating—2.6 watts
- AC input current—190mA
- Recharge time—24 hours
- Test switch provided—LED
- Charging indicator light provided—LED
- Ballast case dimensions—18.5"x1.18"x1.18"
- Battery is a high temperature nickel cadmium type requiring no maintenance and life expectancy of 7 to 10 years.
- Battery charging current—165mA
- Weight—2.3 lbs.

WARRANTY

Five year warranty on unit from date of purchase

LAMP COMPATIBILITY

Table 1 - Lamp Compatibility

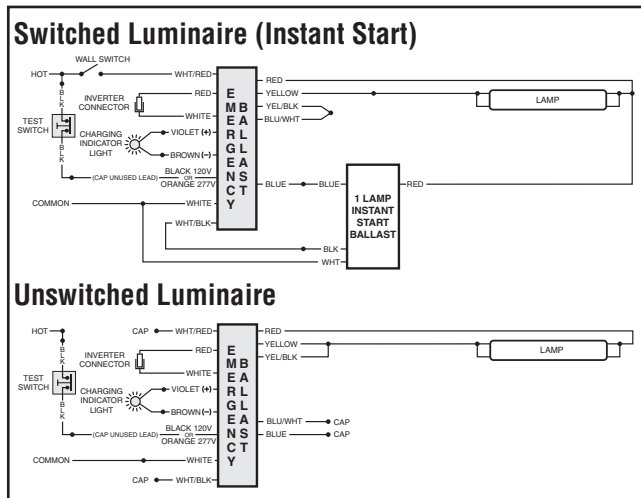
Lamp	Base	Wattage (Length)	No. of Lamps (EMERGENCY)
T5/HO	Miniature Bipin	24-54W (2'-4')	1
T5	Miniature Bipin	14-28W (2'-4')	1
Long Compact	4-pin (2G11)	36-55W	1
T8	Bipin	32W (4')	1
		40W (5')	1
T8/HO	Bipin	44W (4')	1

Table 2 - Initial Lumen Output

Lamp	LUMENS
	1 Lamp
FP54, F54T5/HO	700*
FP39, F39T5/HO	620*
FP24, F24T5/HO	390*
FP28, F28T5	700*
FP21, F21T5	620*
FP14, F14T5	430*
F32T8 (4')	635
F40T8 (5')	570
F48T8/HO (4') (44 W)	470
PL-L 50W, F50BX/RS, Dulux L 55W	510
PL-L 40W, F40/30BX, Dulux L 40W	625
PL-L 36W, F39/36BX, Dulux L 36W	610

Partial listing of lamps operated

WIRING DIAGRAMS



DIMENSIONS

