

CM8R-LI | 19F/LI | 18F/LI | 17F-DIM

Dimmable 8" LED Remodel

17, 18 and 19 watt



Catalog Number: _____

Type: _____

Project: _____



Description

Eight inch downlight rated for use with a variety of LED sources and trims.
Three color temperature choices provide even, comfortable illumination for a wide variety of applications.

Features

- 1100 lumen LED package. (Delivered lumens may vary with the reflector chosen.)
- Easy, snap fit installation.
- Many wet location trim options.
- Remote phosphor technology for consistent color.
- c/ETL listed for damp locations and through branch circuit wiring.
- Dimmable with compatible dimmers down to 10%.
- RoHS Compliant.

CATALOG SYSTEM AND OPTIONS

SAMPLE CATALOG NUMBER⁶: CM8R-LI | 19F/830/U-DIM-H85SL

Frame	Family	Lumen Package	Wattage	LED Module	CCT	Voltage	Dimming Option	Reflector (choose one) ³
CM8R 8 inch remodel frame	L LED	11 1100	17 17 watt ¹ 18 18 watt ² 19 19 watt ³	F Fortimo	830 3000K ³ 835 3500K ² 840 4000K ¹	U Universal 120-277V	DIM Dimming	H83 Gold Reflector H83SL Gold Reflector; Self Flanged H85 Clear Reflector H85SL Clear Reflector; Self Flanged H86 White Reflector H86SL White Reflector; Self Flanged H87 Wheat Reflector H87SL Wheat Reflectors; Self Flanged H85BC Black Baffle, Clear Lens H85XB Clear Cross Baffle Reflector H85BF Black Baffle, Fresnel Lens H85BP Black Baffle, C73 Prismatic Lens H85B Clear Reflector; Black Baffle H85VWB Clear Reflector; White Baffle H85WBC White Baffle, Clear Lens H85WBF White Baffle, Fresnel Lens H85WBP White Baffle, C73 Prismatic Lens HW83 Gold Reflector; Single Wall Wash HW83D Gold Reflector; Double Wall Wash HW85 Clear Reflector; Single Wall Wash HW85D Clear Reflector; Double Wall Wash H85C Clear Cone, Clear Lens H85F Clear Cone, Fresnel Lens H85P Clear Cone, C73 Prismatic H86C White Splay, Clear Lens H86F White Splay, Fresnel Lens H86P White Splay, C73 Prismatic Lens H85SWR Shower Trim

Footnotes:
 1. 4000K module draws 17 watts; lumen package remains the same.
 2. 3500K module draws 18 watts; lumen package remains the same.
 3. 3000K module draws 19 watts; lumen package remains the same.
 4. Reflectors are included as part of the assembly and must be included with the catalog number.
 5. SL Flange color is the same as reflector color.
 6. Frame ships separately from electrical/reflector assembly.

FRAME

- Remodel Frame**- 20 gauge spun aluminum frame mounts directly into existing holes for remodel applications. Frame is secured to the ceiling structure with adjustable locking spring clips that accommodate a variety of ceiling material depths. Frames can be installed before the LED module and reflector has been determined. Suitable for installation in environmental air-handling ceilings.
- Mounting**- Two 20 gauge spring steel clips support the frame to the ceiling. When tightened the clips engage the ceiling surface and pull the frame tightly and securely to the ceiling surface.

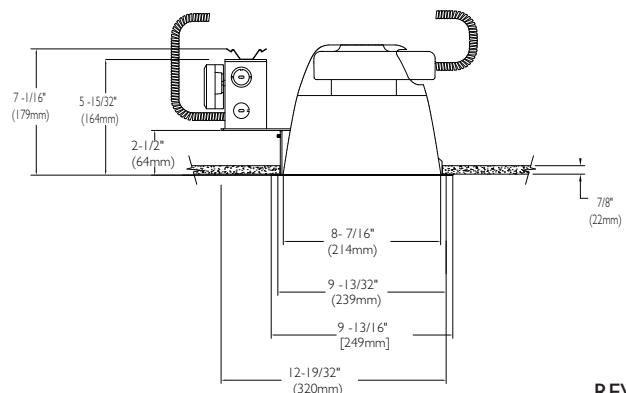
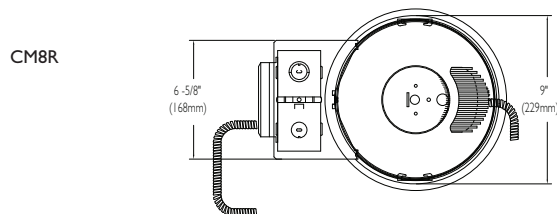
ELECTRICAL SYSTEM

- Driver**- Steel encased driver is universal 120-277 volt. Maximum current settings of 700mA and 92% efficient at full load. UL recognized component.
- Dimming** - Dimmable using approved 0-10V dimming systems. Dimmable to 10%.
- LED Module and Heat Sink**- The Fortimo LED module utilizes remote phosphor technology that provides smooth, even illumination and even color temperature from fixture to fixture. It is a UL recognized component. The module is attached directly to a die-cast aluminum heat sink that helps the package run cool to ensure long life. The die-cast heat sink is mounted directly to each reflector and is pre-wired to the driver and junction box door for easy installation.
- Junction Box** - 16 gauge galvanized steel wrap has multiple K.O.'s for 1/2" and 3/4" conduit and is ready for easy mounting of J box doors.
- c/ETL Listed** - Approved for through branch wiring with up to 8 #12 AWG conductors.

TRIMS

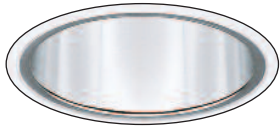
- Reflector** - Precision spun low iridescent .050 aluminum. Separate injection molded, white polycarbonate trim ring.
- Baffle** - Precision spun .040 aluminum with deep grooves to reduce aperture glare. Non-reflective matte black or white painted finishes.
- Installation** - Capri One trims attach directly to the frame via expandable torsion springs. When used in conjunction with the formed spring tabs on the plaster frame, the torsion springs allow for full rotation and adjustment from below the fixture.

DIMENSIONS



REV. 07/10

8" TRIMS



H85 Clear Reflector
H85SL Clear Reflector; Self-Flanged**



H83 Gold Reflector
H83SL Gold Reflector; Self- Flanged**



H86 White Reflector
H86SL White Reflector; Self-Flanged**



H87 Wheat Reflector
H87SL Wheat Reflector; Self-Flanged**



H85B Clear Reflector; Black Baffle



H85WB Clear Reflector; White Baffle



White Baffle, Glass Lens Insert
H85WBC Clear Lens*
H85WBF Fresnel Lens*
H85WBP C73 Prismatic Lens*



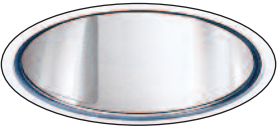
Black Baffle, Glass Lens Insert
H85BC Clear Lens*
H85BF Fresnel Lens*
H85BP C73 Prismatic Lens*



White Splay, Glass Lens Insert
H86C Clear Lens*
H86F Fresnel Lens*
H86P C73 Prismatic Lens*



Clear Cone, Glass Lens Insert
H85C Clear Lens*
H85F Fresnel Lens*
H85P C73 Prismatic Lens*



HW85 Clear Reflector; Single Wall Wash
HWD85 Clear Reflector; Double Wall Wash



H85XB Low Iridescent Cross Baffle Reflector



HW83 Gold Reflector; Single Wall Wash
HWD83 Gold Reflector; Double Wall Wash



H85SWR Shower Trim*

*cUL Listed Wet Location. **Self-flanged has same finish as reflector.

PHOTOMETRICS

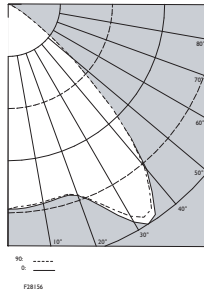
CM8R-L1 | 18F-H85SL

Report number: 28156
Lamp: (1)18WLED
Fixture Efficiency: 86.6%
S/MH Ratio
(0 degree plane): 1.6
(90 degree plane): 1.6
Total Fixture Lumens: 952
IES file: 28156.IES
Beam Angle: 95.93

LIGHTING PERFORMANCE DATA

CEILING HEIGHT* (FT.)	INITIAL FOOTCANDLES	BEAM DIAMETER (FT.-IN.)
8	13.1	12 - 2
10	7.0	16 - 8
12	4.4	21 - 1
14	3.0	25 - 6
16	2.2	29 - 11

DISTRIBUTION CURVE



CANDLE POWER

DEGREES	CANDELA		FOOT-LAMBERTS
	AT 0°	AT 90°	
900	0		
85	1	0	52
75	4	2	104
65	14	13	287
55	73	65	1083
45	286	274	3564
35	483	496	
25	426	432	
15	385	387	
5	391	395	
0	396	396	

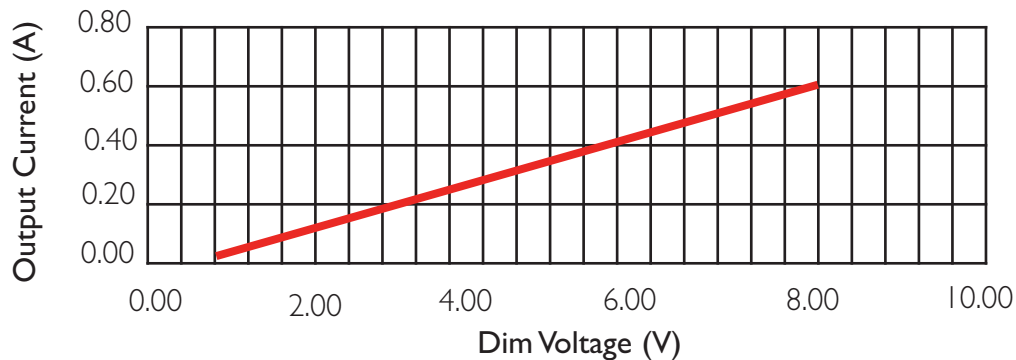
COEFFICIENTS OF UTILIZATION ZONAL CAVITY METHOD

Effective Floor Cavity Reflectance 0.20

RC	50					
	50	30	10	30	50	10
0	103	103	103	103	101	101
1	96	93	91	89	94	92
2	90	84	81	77	88	83
3	83	77	71	67	81	76
4	78	69	64	58	76	68
5	72	63	56	52	70	61
6	68	57	51	46	66	56
7	63	53	46	41	61	52
8	58	47	41	36	56	47
9	55	44	38	34	54	44
10	51	40	34	30	50	40

DIMMING

LED Current vs. Dim Voltage for 630mA



COMPATIBLE DIMMERS

CONTROL MANUFACTURER	WALLBOX DIMMER	POWER BOOSTER AVAILABLE
Douglas Lighting Controls	WPC-572I	N/A
Entertainment Technology	Tap Glide TG600FAM120(120V) Tap Glide Heatsink TGH1500FAM120(120V) Oasis OA2000FAMU(120/277V)	N/A
Honeywell, Inc.	EL7315A1019 and EL7315A1009	EL7305A1010 (optional)
Hunt Dimming	Preset slide: PS-010-IV-120V and PS-010-WH-120V Preset slide: PS-010-3W-IV-120V and PS-010-WH-120V Preset slide: PS-010-IV-277V and PS-010-WH-277V Preset slide: PS-010-3W-IV-277V and PS-010-WH-277V Preset slide, controls FD-010:PS-IFC-010-IV- and PS-IFC-010-WH-120/277V Preset slide, controls FD-010:PS-IFC-010-3W-IV- and PS-IFC-010-3W-WH-120/277V Remote mounted unit: FD-010-120V and FD-010-277V	N/A
Lehigh Electric Products Co.	Solitaire	PBX
Leviton Lighting Controls Division	Leviton Centura Fluorescent Control System IllumaTech™ IP7 Series	CN100 PE300
Lightolier Controls	Sunrise Preset Slider ZP600FAM120 (120V) Momentum Preset Slider MP1500FAM120 (120V) Vega Slider V2000FAMU(120/277V)	N/A
Lutron Electronics Co., Inc.	Visit www.lutron.com/advance for the latest control information and selection	N/A
PDM Electrical Products	WPC-572I	N/A
Starfield Controls	TR61 with DALI Interface port	RT03 DALInet Router
The Watt Stopper, Inc.	LS-4 used with LCD-101 and LCO-103	N/A

ELECTRICAL SPECIFICATIONS

Maximum Output Power (W)	Output Voltage (V)	Output Current (A)	Operating Temperature Range (°F/°C)	Maximum Input Current at 120V (A)	Maximum Input Power (W)	Inrush Current (A _{pk} -50% μs)	Maximum THD (%)	Minimum Power Factor	Surge Protection (KV)
37	25-56	200-700mA	-4°~130°F (-20~55°C)	0.34	42	TBD	20	0.9	2.5