

# CM6R-LI | 19F/LI | 18F/LI | 17F-DIM

## Dimmable 6" LED Remodel

17, 18 and 19 watt



Catalog Number: \_\_\_\_\_

Type: \_\_\_\_\_

Project: \_\_\_\_\_



### Description

Six inch downlight rated for use with a variety of LED sources and trims.  
Three color temperature choices provide even, comfortable illumination for a wide variety of applications.

### Features

- 1100 lumen LED package. (Delivered lumens may vary with reflector chosen.)
- Easy, snap fit installation.
- Many wet location trim options.
- Remote phosphor technology for consistent color.
- c/ETL listed for damp locations and through branch circuit wiring.
- Dimmable with compatible dimmers down to 10%.
- RoHS Compliant.

## CATALOG SYSTEM AND OPTIONS

SAMPLE CATALOG NUMBER<sup>6</sup>: CM6R-LI | 19F/830/U-DIM-H65SL

Frame <sup>5</sup>	Family	Lumen Package	Wattage	LED Module	CCT	Voltage	Dimming	Reflector (choose one) <sup>4, 5</sup>
CM6R 6 inch remodel frame	L LED	11 1100 <sup>1, 2, 3</sup>	17 17 watt <sup>1</sup> 18 18 watt <sup>2</sup> 19 19 watt <sup>3</sup>	F Fortimo	830 3000K <sup>3</sup> 835 3500K <sup>2</sup> 840 4000K <sup>1</sup>	U Universal 120-277V	DIM Dimming	<b>H63</b> Gold Reflector <b>H63SL</b> Gold Reflector; Self Flanged <b>H65</b> Clear Reflector <b>H65SL</b> Clear Reflector; Self Flanged <b>H66</b> White Reflector <b>H66SL</b> White Reflector; Self Flanged <b>H67</b> Wheat Reflector <b>H67SL</b> Wheat Reflectors; Self Flanged <b>H65BC</b> Black Baffle, Clear Lens <b>H65XB</b> Clear Cross Baffle Reflector <b>H65BF</b> Black Baffle, Fresnel Lens <b>H65BP</b> Black Baffle, C73 Prismatic Lens <b>H65B</b> Clear Reflector; Black Baffle <b>H65WB</b> Clear Reflector; White Baffle  <b>H65WBC</b> White Baffle, Clear Lens <b>H65WBF</b> White Baffle, Fresnel Lens <b>H65WBP</b> White Baffle, C73 Prismatic Lens <b>HW63</b> Gold Reflector; Single Wall Wash <b>HWD63</b> Gold Reflector; Double Wall Wash <b>HW65</b> Clear; Single Wall Wash <b>HWD65</b> Clear; Double Wall Wash <b>H65C</b> Clear Reflector; Clear Lens <b>H65F</b> Clear Reflector Fresnel Lens <b>H65P</b> Clear Reflector; C73 Prismatic <b>H66C</b> White Splay, Clear Lens <b>H66F</b> White Splay, Fresnel Lens <b>H66P</b> White Splay, C73 Prismatic Lens <b>H65SWR</b> Shower Trim

**Footnotes:**  
 1. 4000K module draws 17 watts; lumen package remains the same.  
 2. 3500K module draws 18 watts; lumen package remains the same.  
 3. 3000K module draws 19 watts; lumen package remains the same.  
 4. Reflectors are included as part of the assembly and must be included with the catalog number.  
 5. SL Flange color is the same as reflector color.  
 6. Frame ships separately from electrical/reflector assembly.

### FRAME

- Remodel Frame** - 20 gauge spun aluminum frame mounts directly into existing holes for remodel applications. Frame is secured to the ceiling structure with adjustable locking spring clips that accommodate a variety of ceiling material depths. Frames can be installed before the LED module and reflector has been determined. Suitable for installation in environmental air-handling ceilings.
- Mounting** - Two 20 gauge spring steel clips support the frame to the ceiling. When tightened the clips engage the ceiling surface and pull the frame tightly and securely to the ceiling surface.

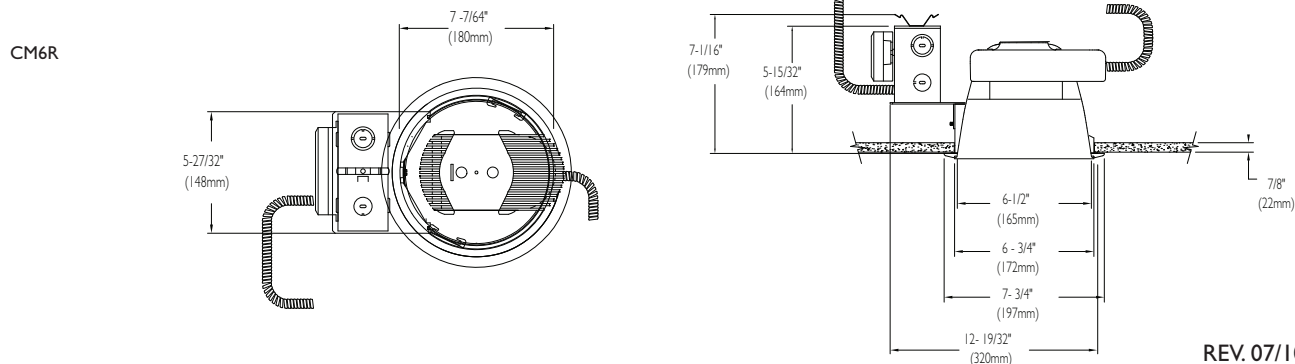
### ELECTRICAL SYSTEM

- Driver** - Steel encased driver is universal 120-277 volt. Maximum current settings of 700mA and 92% efficient at full load. UL recognized component.
- Dimming** - Dimmable using approved 0-10V dimming systems. Dimmable to 10%.
- LED Module and Heat Sink** - The Fortimo LED module utilizes remote phosphor technology that provides smooth, even illumination and even color temperature from fixture to fixture. It is a UL recognized component. The module is attached directly to a die-cast aluminum heat sink that helps the package run cool to ensure long life. The die-cast heat sink is mounted directly to each reflector and is pre-wired to the driver and junction box door for easy installation.
- Junction Box** - 16 gauge galvanized steel wrap has multiple K.O.'s for 1/2" and 3/4" conduit and is ready for easy mounting of J box doors.
- c/ETL Listed** - Approved for through branch wiring with up to 8 #12 AWG conductors.

### TRIMS

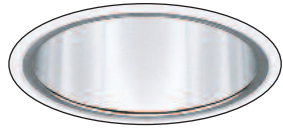
- Reflector** - Precision spun low iridescent .050 aluminum. Separate injection molded, white polycarbonate trim ring.
- Baffle** - Precision spun .040 aluminum with deep grooves to reduce aperture glare. Non-reflective matte black or white painted finishes.
- Installation** - Capri One trims attach directly to the frame via expandable torsion springs. When used in conjunction with the formed spring tabs on the plaster frame, the torsion springs allow for full rotation and adjustment from below the fixture.

## DIMENSIONS



REV. 07/10

6" TRIMS



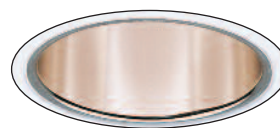
**H65** Clear Reflector  
**H65SL** Clear Reflector; Self-Flanged\*\*



**H63** Gold Reflector  
**H63SL** Gold Reflector; Self- Flanged\*\*



**H66** White Reflector  
**H66SL** White Reflector; Self-Flanged\*\*



**H67** Wheat Reflector  
**H67SL** Wheat Reflector; Self-Flanged\*\*



**H65B** Clear Reflector; Black Baffle



**H65WB** Clear Reflector; White Baffle



White Baffle, Glass Lens Insert  
**H65WBC** Clear Lens\*  
**H65WBF** Fresnel Lens\*  
**H65WBP** C73 Prismatic Lens\*



Black Baffle, Glass Lens Insert  
**H65BC** Clear Lens\*  
**H65BF** Fresnel Lens\*  
**H65BP** C73 Prismatic Lens\*



White Splay; Glass Lens Insert  
**H66C** Clear Lens\*  
**H66F** Fresnel Lens\*  
**H66P** C73 Prismatic Lens\*



Clear Cone, Glass Lens Insert  
**H65C** Clear Lens\*  
**H65F** Fresnel Lens\*  
**H65P** C73 Prismatic Lens\*



**HW65** Clear Reflector; Single Wall Wash  
**HWD65** Clear Reflector; Double Wall Wash



**H65XB** Low Iridescent Cross Baffle Reflector



**HW63** Gold Reflector; Single Wall Wash  
**HWD63** Gold Reflector; Double Wall Wash



**H65SWR** Shower Trim\*

\*cUL Listed Wet Location. \*\*Self-flanged has same finish as reflector.

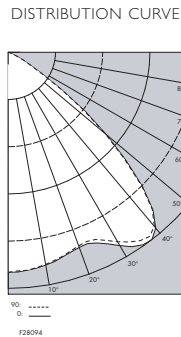
PHOTOMETRICS

CM6-L1118F-H65SL

Report number: 28094  
Lamp: (1)18WLED; 1100 lumens  
Fixture Efficiency: 87.7%  
S/MH Ratio (0 degree plane):1.6  
(90 degree plane): 1.6  
Total Fixture Lumens: 965  
IES file: 28094.IES  
Beam Angle: 102.73

LIGHTING PERFORMANCE DATA

CEILING HEIGHT** (FT.)	INITIAL FOOTCANDLES	BEAM DIAMETER (FT.-IN.)
8	13.0	13 - 9
10	7.0	18 - 9
12	4.4	23 - 9
14	3.0	28 - 9
16	2.2	33 - 9



CANDLE POWER

DEGREES	CANDELA		FOOT LAMBERTS
	AT 0°	AT 90°	
90	0	0	
85	0	0	
75	2	2	124
65	17	17	644
55	117	116	3250
45	340	338	7671
35	421	412	
25	377	370	
15	379	378	
5	392	392	
0	394	394	

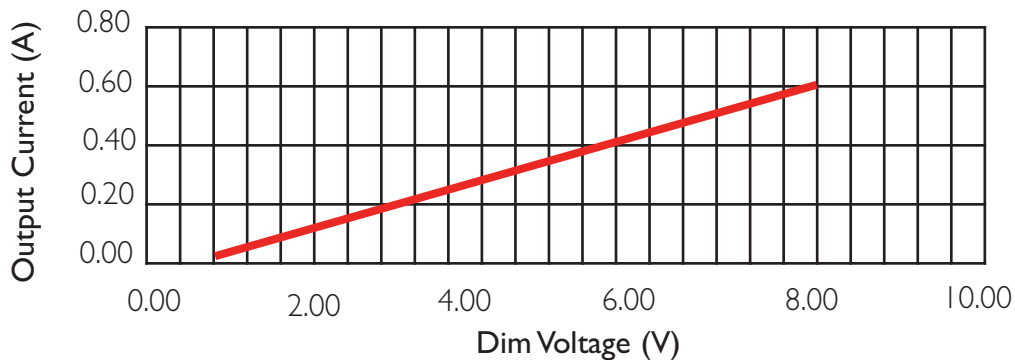
COEFFICIENTS OF UTILIZATION ZONAL CAVITY METHOD

Effective Floor Cavity Reflectance 0.20

RW	RC 80			RC 50		
	50	30	10	30	50	10
0	104	104	104	96	96	96
1	94	92	90	89	86	84
2	84	81	77	81	77	73
3	77	70	66	72	68	65
4	68	63	57	66	60	56
5	61	56	51	59	54	50
6	56	50	45	54	48	44
7	52	45	40	50	44	39
8	46	40	35	45	39	34
9	42	35	32	41	35	32
10	40	33	28	38	33	28

DIMMING

LED Current vs. Dim Voltage for 630mA



## COMPATIBLE DIMMERS

CONTROL MANUFACTURER	WALLBOX DIMMER	POWER BOOSTER AVAILABLE
Douglas Lighting Controls	WPC-572I	N/A
Entertainment Technology	Tap Glide TG600FAM120(120V) Tap Glide Heatsink TGH1500FAM120(120V) Oasis OA2000FAMU(120/277V)	N/A
Honeywell, Inc.	EL7315A1019 and EL7315A1009	EL7305A1010 (optional)
Hunt Dimming	Preset slide: PS-010-IV-120V and PS-010-WH-120V Preset slide: PS-010-3W-IV-120V and PS-010-WH-120V Preset slide: PS-010-IV-277V and PS-010-WH-277V Preset slide: PS-010-3W-IV-277V and PS-010-WH-277V Preset slide, controls FD-010;PS-IFC-010-IV- and PS-IFC-010-WH-120/277V Preset slide, controls FD-010;PS-IFC-010-3W-IV- and PS-IFC-010-3W-WH-120/277V Remote mounted unit: FD-010-120V and FD-010-277V	N/A
Lehigh Electric Products Co.	Solitaire	PBX
Leviton Lighting Controls Division	Leviton Centura Fluorescent Control System IllumaTech™ IP7 Series	CN100 PE300
Lightolier Controls	Sunrise Preset Slider ZP600FAM120 (120V) Momentum Preset Slider MPI500FAM120 (120V) Vega Slider V2000FAMU(120/277V)	N/A
Lutron Electronics Co., Inc.	Visit <a href="http://www.lutron.com/advance">www.lutron.com/advance</a> for the latest control information and selection	N/A
PDM Electrical Products	WPC-572I	N/A
Starfield Controls	TR6I with DALI Interface port	RT03 DALInet Router
The Watt Stopper, Inc.	LS-4 used with LCD-101 and LCO-103	N/A

## ELECTRICAL SPECIFICATIONS

Maximum Output Power (W)	Output Voltage (V)	Output Current (A)	Operating Temperature Range (°F/°C)	Maximum Input Current at 120V (A)	Maximum Input Power (W)	Inrush Current (A <sub>pk-50% μs</sub> )	Maximum THD (%)	Minimum Power Factor	Surge Protection (KV)
37	25-56	200-700mA	-4°~130°F (-20~55°C)	0.34	42	TBD	20	0.9	2.5