

CM6-L1119F/L1118F/L1117F-DIM

Dimmable 6" LED

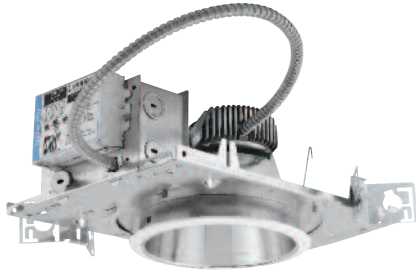
17, 18 and 19 watt



Catalog Number: _____

Type: _____

Project: _____



Description

Six inch downlight rated for use with a variety of LED sources and trims. Three color temperature choices provide even, comfortable illumination for a wide variety of applications.

Features

- 1100 lumen LED package. (Delivered lumens vary with reflector chosen)
- Easy, snap fit installation.
- Many wet location trim options.
- Remote phosphor technology for consistent color.
- c/ETL listed for damp locations and through branch circuit wiring.
- Dimmable with compatible dimmers down to 10%.
- RoHS compliant.

CATALOG SYSTEM AND OPTIONS

SAMPLE CATALOG NUMBER⁶: CM6-L1119F/830/U-DIM-H65SL

Frame ⁶	Family	Lumen Package	Wattage	LED Module	CCT	Voltage	Dimming Options	Reflectors (choose one) ^{4, 5}
CM6 6 inch	L LED	11 1100 ^{1, 2, 3}	17 17 watt ¹ 18 18 watt ² 19 19 watt ³	F Fortimo	830 3000K ³ 835 3500K ² 840 4000K ¹	U 120-277V	DIM Dimmable Driver	H63 Gold Reflector H63SL Gold Reflector, Self Flanged H65 Clear Reflector H65SL Clear Reflector, Self Flanged H66 White Reflector H66SL White Reflector, Self Flanged H67 Wheat Reflector H67SL Wheat Reflectors, Self Flanged H65BC Black Baffle, Clear Lens H65XB Clear Cross Baffle Reflector H65BF Black Baffle, Fresnel Lens H65BP Black Baffle, C73 Prismatic Lens H65B Clear Reflector, Black Baffle H65WB Clear Reflector, White Baffle H65WBC White Baffle, Clear Lens H65WBF White Baffle, Fresnel Lens H65WBP White Baffle, C73 Prismatic Lens HW63 Gold Reflector, Single Wall Wash HWD63 Gold Reflector, Double Wall Wash HW65 Clear Reflector, Single Wall Wash HWD65 Clear Reflector, Double Wall Wash H65C Clear Cone, Clear Lens H65F Clear Cone, Fresnel Lens H65P Clear Cone, C73 Prismatic Lens H66C White Splay, Clear Lens H66F White Splay, Fresnel Lens H66P White Splay, C73 Prismatic Lens H65SWR Shower Trim

Footnotes:

1. 4000K module draws 17 watts; lumen package remains the same.
2. 3500K module draws 18 watts; lumen package remains the same.
3. 3000K module draws 19 watts; lumen package remains the same.
4. Reflectors are included as part of the assembly and must be included with the catalog number.
5. SL Flange color is the same as reflector color.
6. Frame ships separately from electrical/reflector assembly.

FRAME

1. **Frame** - 22 gauge die stamped metal frame with flanged edges to provide a smooth handling surface. Frames can be installed before LED Module and reflector has been determined. Suitable for installation in environmental air-handling ceilings.
2. **Mounting** - Adjustable spring steel butterfly brackets accommodate CH24 or CH48 channel bar hangers BH1 adjustable bar hanger; BH3 flat bar hangers, or 1/2" EMT conduit. Frame can be supported with aircraft cable where required.

ELECTRICAL SYSTEM

1. **Driver** - Steel encased driver is universal 120-277 volt. Maximum current settings of 700mA and 92% efficient at full load. UL recognized component.
2. **Dimming** - Dimmable using approved 0-10V dimming systems. Dimmable to 10%.
3. **LED Module and Heat Sink** - The Fortimo LED module utilizes remote phosphor technology that provides smooth, even illumination and even color temperature from fixture to fixture. It is a UL recognized component. The module is attached directly to a die-cast aluminum heat sink that helps the package run cool to ensure long life. The die-cast heat sink is mounted directly to each reflector and is pre-wired to the driver and junction box door for easy installation.
4. **Junction Box** - 16 gauge galvanized steel wrap has multiple K.O.'s for 1/2" and 3/4" conduit and is ready for easy mounting of J box doors.
5. **c/ETL Listed** - Approved for through branch wiring with up to 8 #12 AWG conductors.

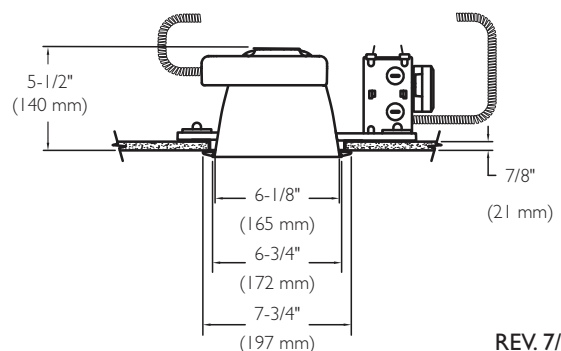
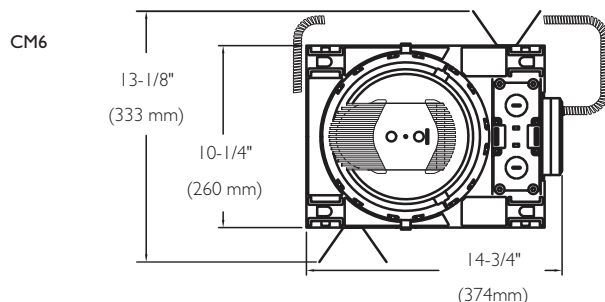
TRIMS

1. **Reflector** - Precision spun low iridescent .050 aluminum. Separate injection molded, white polycarbonate trim ring.
2. **Baffle** - Precision spun .040 aluminum with deep grooves to reduce aperture glare. Non-reflective matte black or white painted finishes.
3. **Installation** - Capri One trims attach directly to the frame via expandable torsion springs. When used in conjunction with the formed spring tabs on the plaster frame, the torsion springs allow for full rotation and adjustment from below the fixture.

ACCESSORIES (Order separately)

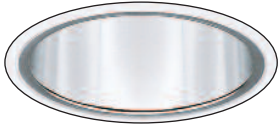
- 27" Flat Bar Hangers BH3
- 26" C-Channel Bar Hangers CH24
- 50" C-Channel Bar Hangers CH48
- 25" Adjustable Bar Hangers BH1

DIMENSIONS



REV. 7/10

6" TRIMS



H65 Clear Reflector
H65SL Clear Reflector; Self-Flanged**



H63 Gold Reflector
H63SL Gold Reflector; Self- Flanged**



H66 White Reflector
H66SL White Reflector; Self-Flanged**



H67 Wheat Reflector
H67SL Wheat Reflector; Self-Flanged**



H65B Clear Reflector; Black Baffle



H65WB Clear Reflector; White Baffle



White Baffle, Glass Lens Insert

H65WBC Clear Lens*
H65WBF Fresnel Lens*
H65WBP C73 Prismatic Lens*



Black Baffle, Glass Lens Insert

H65BC Clear Lens*
H65BF Fresnel Lens*
H65BP C73 Prismatic Lens*



White Splay, Glass Lens Insert

H66C Clear Lens*
H66F Fresnel Lens*
H66P C73 Prismatic Lens*



Clear Cone, Glass Lens Insert

H65C Clear Lens*
H65F Fresnel Lens*
H65P C73 Prismatic Lens*



HW65 Clear Reflector; Single Wall Wash
HWD65 Clear Reflector; Double Wall Wash



H65XB Low Iridescent Cross Baffle Reflector



HW63 Gold Reflector; Single Wall Wash
HWD63 Gold Reflector; Double Wall Wash



H65SVR Shower Trim*

*cUL Listed Wet Location. **Self-flanged has same finish as reflector.

PHOTOMETRICS

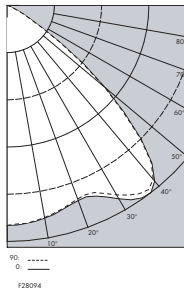
CM6-LI | I8F-H65SL

Report number: 28094
Lamp: (1)18WLED; 1100 lumens
Fixture Efficiency: 87.7%
S/MH Ratio (0 degree plane):1.6
(90 degree plane): 1.6
Total Fixture Lumens: 965
IES file: 28094.IES
Beam Angle: 102.73

LIGHTING PERFORMANCE DATA

CEILING HEIGHT* (FT.)	INITIAL FOOTCANDLES	BEAM DIAMETER (FT.-IN.)
8	13.0	13 - 9
10	7.0	18 - 9
12	4.4	23 - 9
14	3.0	28 - 9
16	2.2	33 - 9

DISTRIBUTION CURVE



CANDELA POWER

DEGREES	CANDELA		FOOT-LAMBERTS
	AT 0°	AT 90°	
90	0	0	
85	0	0	0
75	2	2	124
65	17	17	644
55	117	116	3250
45	340	338	7671
35	421	412	
25	377	370	
15	379	378	
5	392	392	
0	394	394	

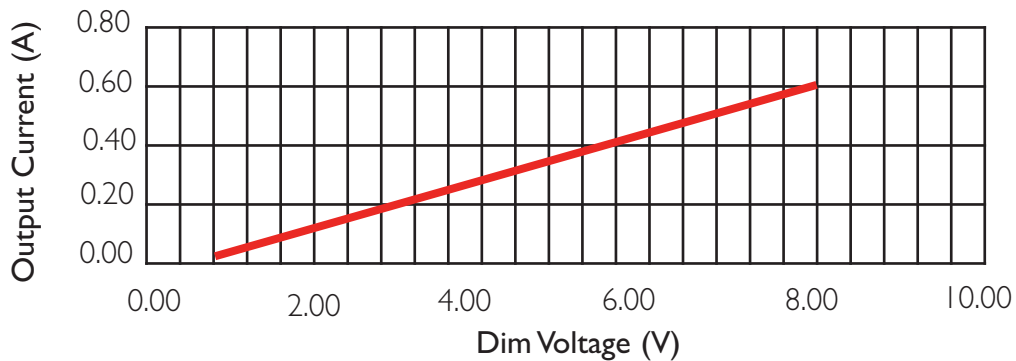
COEFFICIENTS OF UTILIZATION ZONAL CAVITY METHOD

Effective Floor Cavity Reflectance 0.20

RC	50					
	80	30	10	30	50	10
RW	50	30	10	30	50	10
0	104	104	104	96	96	96
1	94	92	90	89	86	84
2	84	81	77	81	77	73
3	77	70	66	72	68	65
4	68	63	57	66	60	56
5	61	56	51	59	54	50
6	56	50	45	54	48	44
7	52	45	40	50	44	39
8	46	40	35	45	39	34
9	42	35	32	41	35	32
10	40	33	28	38	33	28

DIMMING

LED Current vs. Dim Voltage for 630mA



COMPATIBLE DIMMERS

CONTROL MANUFACTURER	WALLBOX DIMMER	POWER BOOSTER AVAILABLE
Douglas Lighting Controls	WPC-5721	N/A
Entertainment Technology	Tap Glide TG600FAM120(120V) Tap Glide Heatsink TGH1500FAM120(120V) Oasis OA2000FAMU(120/277V)	N/A
Honeywell, Inc.	EL7315A1019 and EL7315A1009	EL7305A1010 (optional)
Hunt Dimming	Preset slide: PS-010-IV-120V and PS-010-WH-120V Preset slide: PS-010-3W-IV-120V and PS-010-WH-120V Preset slide: PS-010-IV-277V and PS-010-WH-277V Preset slide: PS-010-3W-IV-277V and PS-010-WH-277V Preset slide, controls FD-010:PS-IFC-010-IV- and PS-IFC-010-WH-120/277V Preset slide, controls FD-010:PS-IFC-010-3W-IV- and PS-IFC-010-3W-WH-120/277V Remote mounted unit: FD-010-120V and FD-010-277V	N/A
Lehigh Electric Products Co.	Solitaire	PBX
Leviton Lighting Controls Division	Leviton Centura Fluorescent Control System IllumaTech™ IP7 Series	CN100 PE300
Lightolier Controls	Sunrise Preset Slider ZP600FAM120 (120V) Momentum Preset Slider MP1500FAM120 (120V) Vega Slider V2000FAMU(120/277V)	N/A
Lutron Electronics Co., Inc.	Visit www.lutron.com/advance for the latest control information and selection	N/A
PDM Electrical Products	WPC-5721	N/A
Starfield Controls	TR61 with DALI Interface port	RT03 DALI.net Router
The Watt Stopper, Inc.	LS-4 used with LCD-101 and LCO-103	N/A

ELECTRICAL SPECIFICATIONS

Maximum Output Power (W)	Output Voltage (V)	Output Current (A)	Operating Temperature Range (°F/°C)	Maximum Input Current at 120V (A)	Maximum Input Power (W)	Inrush Current (A _{pk-50% μs})	Maximum THD (%)	Minimum Power Factor	Surge Protection (KV)
37	25-56	200-700mA	-4°~130°F (-20~55°C)	0.34	42	TBD	20	0.9	2.5