



**application**

- The Philips Capri CM4 LED downlight is rated for a variety of wattages and trims. Three color temperature choices provide even, comfortable illumination for a wide variety of applications.

**frame**

- Frame – 22 gauge die stamped metal frame with flanged edges to provide a smooth handling surface. Frames can be installed before electrical/trim assembly has been determined. Suitable for installation in environmental air-handling ceilings.
- Mounting – Adjustable steel butterfly brackets accommodate CH24 or CH48 channel bar hangers, BH1 adjustable bar hangers, BH3 flat bar hangers, or 1/2" conduit.

**light engine**

- LED Module and Heat Sink – The Philips Fortimo LED module utilizes remote phosphor technology that provides smooth, even illumination and consistent color temperature from fixture to fixture. The Philips Fortimo LED is a UL recognized component. The module is attached directly to a die-cast aluminum heat sink that helps the package run cool to ensure long life. The die-cast heat sink is mounted directly to each reflector and is pre-wired to the driver and junction box door for easy installation.
- 0-10V dimming is standard down to 10%.
- RoHS compliant
- Long life LED's provide over 50,000 hours at 70% lumen maintenance.
- LED Driver – Steel encased driver is universal 120-277 volt. Maximum current settings of 700mA and 92% efficient at full load. UL recognized component.

**trims**

- Reflector – Precision spun low iridescent .050 aluminum. Separate non-metallic, white trim ring.
- Installation – Capri One trims attach directly to the frame via expandable torsion springs to ensure a secure fit to the ceiling.

**accessories (ordered separately)**

27" Flat Bar Hangers	BH3
26" C-Channel Bar Hangers	CH24
50" C-Channel Bar Hangers	CH48
25" Adjustable Bar Hangers	BH1

**listings**

- c/ETL Listed – Approved for use in damp locations for through branch wiring with up to 8 #12 AWG conductors.

**Specifier's Reference**

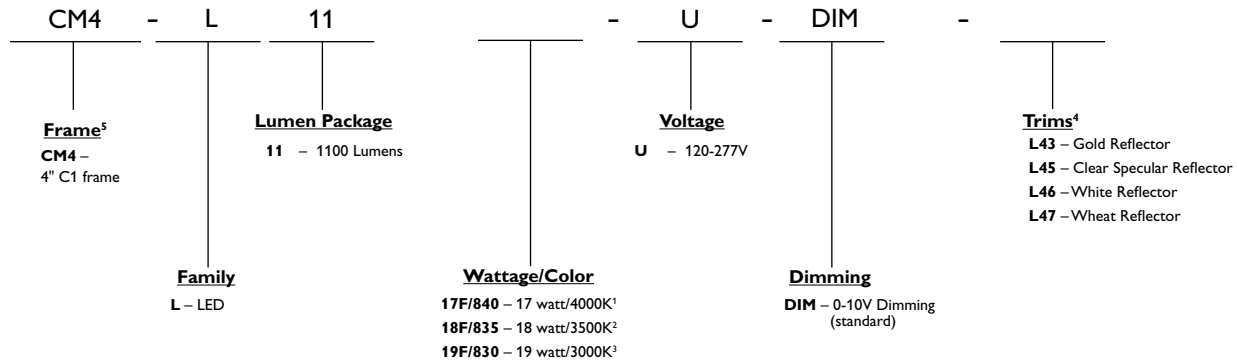
Project
Type
Model No.
Comments

**Green Choice: CM4-L1119F/830-U-DIM-L45**

**housing**

**electrical**

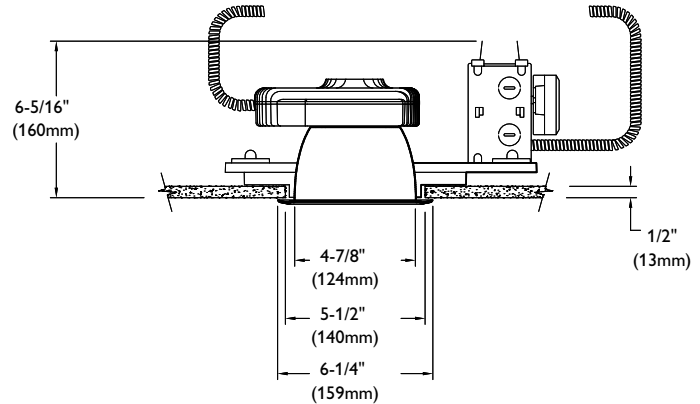
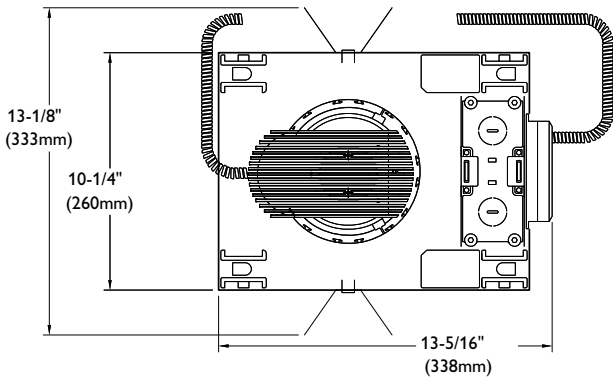
**trims**



**Footnotes**

- 4000K module draws 17 watts; lumen package remains the same.
- 3500K module draws 18 watts; lumen package remains the same.
- 3000K module draws 19 watts; lumen package remains the same.
- Reflectors are included as part of the electrical assembly and must be included with the catalog number.
- Frame ships separately from electrical/reflector assembly.

dimensions



trims



L45 Clear Specular Reflector



L43 Gold Reflector



L46 White Reflector



L47 Wheat Reflector

photometrics

CM4-L1119F/830/U-DIM-L46

Tested to LM-79 standards.

<b>Catalog No.</b> CM4-L1119F/830/U-DIM-L46 <b>Test No.</b> 29239 <b>SMH</b> (0 degree plane) 1.5 <b>Lamp Type</b> 19W LED <b>Delivered Lumens</b> 955 <b>IES File</b> 29239 <b>Input Watts</b> 19 <b>Luminaire Efficacy</b> 53 LPW		<b>Candle Power</b> <table border="1"> <thead> <tr> <th>Degrees</th> <th>At 0°</th> <th>At 90°</th> <th>Foot</th> </tr> </thead> <tbody> <tr><td>0</td><td>453</td><td>453</td><td>453</td></tr> <tr><td>5</td><td>455</td><td>452</td><td>451</td></tr> <tr><td>15</td><td>502</td><td>494</td><td>482</td></tr> <tr><td>25</td><td>614</td><td>620</td><td>631</td></tr> <tr><td>35</td><td>494</td><td>501</td><td>528</td></tr> <tr><td>45</td><td>169</td><td>169</td><td>191</td></tr> <tr><td>55</td><td>27</td><td>21</td><td>33</td></tr> <tr><td>65</td><td>9</td><td>8</td><td>9</td></tr> <tr><td>75</td><td>3</td><td>3</td><td>3</td></tr> <tr><td>85</td><td>1</td><td>1</td><td>1</td></tr> </tbody> </table>			Degrees	At 0°	At 90°	Foot	0	453	453	453	5	455	452	451	15	502	494	482	25	614	620	631	35	494	501	528	45	169	169	191	55	27	21	33	65	9	8	9	75	3	3	3	85	1	1	1	<b>Average Luminance</b> <table border="1"> <thead> <tr> <th>Zone</th> <th>End</th> <th>45</th> <th>Cross</th> </tr> </thead> <tbody> <tr><td>45</td><td>29480</td><td>29480</td><td>33317</td></tr> <tr><td>55</td><td>5806</td><td>4516</td><td>7097</td></tr> <tr><td>65</td><td>2627</td><td>2335</td><td>2627</td></tr> <tr><td>75</td><td>1430</td><td>1430</td><td>1430</td></tr> <tr><td>85</td><td>1415</td><td>1415</td><td>1415</td></tr> </tbody> </table>				Zone	End	45	Cross	45	29480	29480	33317	55	5806	4516	7097	65	2627	2335	2627	75	1430	1430	1430	85	1415	1415	1415																					
Degrees	At 0°	At 90°	Foot																																																																																														
0	453	453	453																																																																																														
5	455	452	451																																																																																														
15	502	494	482																																																																																														
25	614	620	631																																																																																														
35	494	501	528																																																																																														
45	169	169	191																																																																																														
55	27	21	33																																																																																														
65	9	8	9																																																																																														
75	3	3	3																																																																																														
85	1	1	1																																																																																														
Zone	End	45	Cross																																																																																														
45	29480	29480	33317																																																																																														
55	5806	4516	7097																																																																																														
65	2627	2335	2627																																																																																														
75	1430	1430	1430																																																																																														
85	1415	1415	1415																																																																																														
<b>Comp Yearly Energy Cost at \$0.08/ KWh = \$4.53</b>		<b>Coefficients of Utilization</b> <table border="1"> <thead> <tr> <th rowspan="2">pcc</th> <th colspan="2">80</th> <th colspan="2">70</th> <th colspan="2">50</th> </tr> <tr> <th>pw</th> <th>RCR</th> <th>pw</th> <th>RCR</th> <th>pw</th> <th>RCR</th> </tr> </thead> <tbody> <tr><td>0</td><td>118</td><td>118</td><td>115</td><td>118</td><td>115</td><td>115</td></tr> <tr><td>1</td><td>112</td><td>109</td><td>110</td><td>107</td><td>107</td><td>105</td></tr> <tr><td>2</td><td>106</td><td>100</td><td>103</td><td>94</td><td>97</td><td>93</td></tr> <tr><td>3</td><td>98</td><td>92</td><td>96</td><td>85</td><td>90</td><td>84</td></tr> <tr><td>4</td><td>93</td><td>83</td><td>91</td><td>78</td><td>82</td><td>77</td></tr> <tr><td>5</td><td>86</td><td>77</td><td>84</td><td>69</td><td>76</td><td>69</td></tr> <tr><td>6</td><td>81</td><td>70</td><td>80</td><td>64</td><td>69</td><td>64</td></tr> <tr><td>7</td><td>76</td><td>66</td><td>75</td><td>58</td><td>65</td><td>57</td></tr> <tr><td>8</td><td>71</td><td>60</td><td>69</td><td>54</td><td>59</td><td>53</td></tr> <tr><td>9</td><td>67</td><td>56</td><td>66</td><td>48</td><td>56</td><td>48</td></tr> <tr><td>10</td><td>64</td><td>52</td><td>61</td><td>45</td><td>52</td><td>45</td></tr> </tbody> </table>						pcc	80		70		50		pw	RCR	pw	RCR	pw	RCR	0	118	118	115	118	115	115	1	112	109	110	107	107	105	2	106	100	103	94	97	93	3	98	92	96	85	90	84	4	93	83	91	78	82	77	5	86	77	84	69	76	69	6	81	70	80	64	69	64	7	76	66	75	58	65	57	8	71	60	69	54	59	53	9	67	56	66	48	56	48	10	64	52	61	45	52	45
pcc	80		70		50																																																																																												
	pw	RCR	pw	RCR	pw	RCR																																																																																											
0	118	118	115	118	115	115																																																																																											
1	112	109	110	107	107	105																																																																																											
2	106	100	103	94	97	93																																																																																											
3	98	92	96	85	90	84																																																																																											
4	93	83	91	78	82	77																																																																																											
5	86	77	84	69	76	69																																																																																											
6	81	70	80	64	69	64																																																																																											
7	76	66	75	58	65	57																																																																																											
8	71	60	69	54	59	53																																																																																											
9	67	56	66	48	56	48																																																																																											
10	64	52	61	45	52	45																																																																																											



©2011 Philips Omega  
 All rights reserved.  
 776 South Green Street • Tupelo, MS 38804  
 p. 800.234.1890 • f. 662.841.5501  
 www.omegalighting.com  
 Canadian Division  
 189 Bullock Drive • Markham, Ontario L3P 1W4  
 p. 905.294.9570 • f. 905.294.9811

Contact Factory for Additional Configurations.  
 Specifications are subject to change without notice.  
 Consult website for latest version of this spec sheet.  
 Some luminaires use fluorescent or high intensity discharge (HID) lamps that contain small amounts of mercury. Such lamps are labeled, "Contain Mercury" and/or the symbol "HG". Lamps that contain mercury must be disposed of in accordance with local requirements. Information regarding lamp recycling and disposal can be found at [www.lamprecycle.org](http://www.lamprecycle.org)

