

CM10-F326/32/42

10" Horizontal 3 Lamp Compact Fluorescent
26, 32 and 42 watt



Catalog Number: _____

Type: _____

Project: _____



Description

Ten inch horizontal downlight rated for use with three 26, 32 or 42 watt lamps. Wide variety of trims available. Emergency option provides a self contained emergency battery which operates one lamp for a minimum of 90 minutes following a power failure.

Features

- Adjustable socket cup.
- Easy, snap fit installation.
- Many wet location trim options.
- Standard electronic ballast with <10% THD.
- c/UL listed for damp locations and through branch circuit wiring.

CATALOG SYSTEM AND OPTIONS

SAMPLE CATALOG NUMBER: CM10-F326U-H1033L

UNIVERSAL

Plaster Frame	Electrical System	Ballast Options
CM10 10" Standard Frame	F326/32/42 (3)CFQ26W/G24q (3)CFM26W/GX24q (3)CFM32W/GX24q (3)CFM42W/GX24q	U 120V-277V S3 347V

DIMMING

Plaster Frame	Electrical System	Ballast Options
CM10 10" Standard Frame	F326 (3)CFQ26W/G24q (3)CFM26W/GX24q F332 (3)CFM32W/GX24q F342 (3)CFM42W/GX24q	D1 dimming 120V D2 dimming 277V

Options

- RI** Radio Filter
- FS2** Fusing²
- ER** Remote Emergency Ballast⁴
- E** Integral Emergency⁵

Trims (choose one)⁶

- H1033L** Gold Reflector
- H1033LE** Gold Reflector, Emergency
- H1033LSL** Gold Reflector, Self Lipped
- H1053L** Low Iridescent Reflector
- H1053LE** Low Iridescent Reflector, Emergency
- H1053LSL** Low Iridescent Reflector, Self Lipped
- H1063L** White Reflector
- H1063LE** White Reflector, Emergency
- H1063LSL** White Reflector, Self Lipped
- H1073L** Wheat Reflector
- H1073LE** Wheat Reflector, Emergency
- H1073LSL** Wheat Reflectors, Self Lipped
- H105BC3L** Black Baffle, Clear Lens Insert³
- H105BF3L** Black Baffle, Fresnel Lens Insert³
- H105BP3L** Black Baffle, C73 Prismatic Lens³

- H105B3L** Low Iridescent Reflector, Black Baffle
- H105B3LE** Low Irid. Refl., Black Baffle, Emer.
- H105WB3L** Low Iridescent Refl., White Baffle
- H105WB3LE** Low Irid. Refl., White Baffle, Refl., Emergency
- H105WBC3L** White Baffle, Clear Lens Insert³
- H105WBF3L** White Baffle, Fresnel Lens Insert³
- H105WBP3L** White Baffle, C73 Prismatic Lens³
- HW1033L** Gold Reflector, Single Wall Wash
- HWD1033L** Gold Reflector, Double Wall Wash
- HW1053L** Low Irides. Refl., Single Wall Wash
- HWD1053L** Low Irides. Refl., Double Wall Wash
- HW1073L** Wheat Reflector, Single Wall Wash
- HWD1073L** Wheat Reflector, Double Wall Wash
- H105C3L** Clear Cone, Clear Lens Insert³
- H105F3L** Clear Cone, Fresnel Lens Insert³
- H105P3L** Clear Cone, C73 Prismatic Lens³
- H106C3L** White Splay, Clear Lens Insert³
- H106F3L** White Splay, Fresnel Lens Insert³
- H106P3L** White Splay, C73 Prismatic Lens³

Footnotes:

2. Field Installable.
3. UL Listed Wet Location.
4. ER option is available with dry location trims only.
5. For use with Emergency trims only.
6. Reflector must have "E" added for integral emergency option.

FRAME

- Frame** - 22 gauge die stamped metal frame with flanged edges to provide a smooth handling surface. Frames can be installed before lamp source or wattage has been determined. Suitable for installation in environmental air-handling ceilings.
- Mounting** - Adjustable spring steel butterfly brackets accommodate CH24 or CH48 channel bar hangers, BH3 flat bar hangers, or 1/2" EMT conduit. L-brackets slide into place on any of the four corners to secure emergency option to the frame. Emergency tray rests on bar hangers or EMT for support. Frame can be supported with aircraft cable where required.

ELECTRICAL SYSTEM

- Ballast** - All ballasts are electronic High Power Factor and are attached directly to the junction box door at the factory. Available with optional dimming ballast for energy efficiency. Pre-installed quick connectors.
- Socket Cup** - The socket cup attaches directly to the trim without the need for tools. All socket cups orient the lamp at optical focal plane of reflector for precise optics and optimum

performance. Socket is adjustable.

- Junction Box** - Standard thermal protection device inside housing automatically takes the fixture out of service if temperature becomes excessive from overlamping or wrong lamp /trim combination.
- c/UL Listed** - Approved for through branch wiring with up to 8 #12 AWG conductors.
- Remote Emergency Module** - A special high temperature nickel cadmium battery charger, and electronic circuitry contained in a compact case. Test switch and charging indicator are mounted outside the reflector. Emergency illumination exceeds NEC, NFPA-LSC and UL 90-minute req.
- Integral Emergency Module** - A special high temperature nickel cadmium battery charger, and electronic circuitry contained in a compact case. Test switch and charging indicator are mounted inside the reflector. For use with emergency trims only. Emergency illumination exceeds NEC, NFPA-LSC and UL 90-minute req.

- Baffle** - Precision spun .040 aluminum with deep grooves to reduce aperture glare. Non-reflective matte black or white painted finishes.

- Installation** - Capri One trims attach directly to the frame via expandable torsion springs. When used in conjunction with the molded spring tabs on the plaster frame, the torsion springs allow for full rotation and adjustment from below the fixture.

- c/UL Listed** - All emergency units are dry location only.

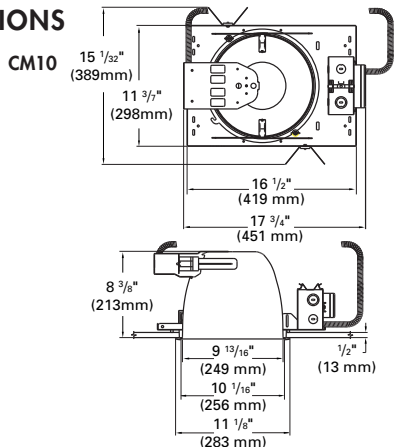
OPTIONS

- Dimming Ballast** - Dependent upon lamp configuration.
- Fuse** - Fuse kit field installation.
- Radio interference filter.**
- Emergency option** - Integral or Remote options available. Note: Integral must be used with emergency trim.

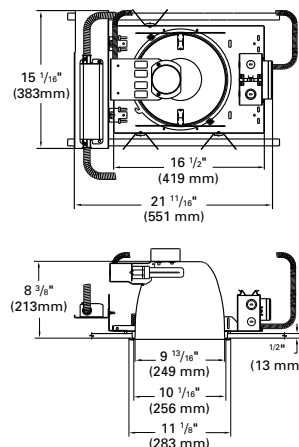
ACCESSORIES (Order separately)

- 27" Flat Bar HangersBH3
- 26" C-Channel Bar HangersCH24
- 50" C-Channel Bar HangersCH48

DIMENSIONS

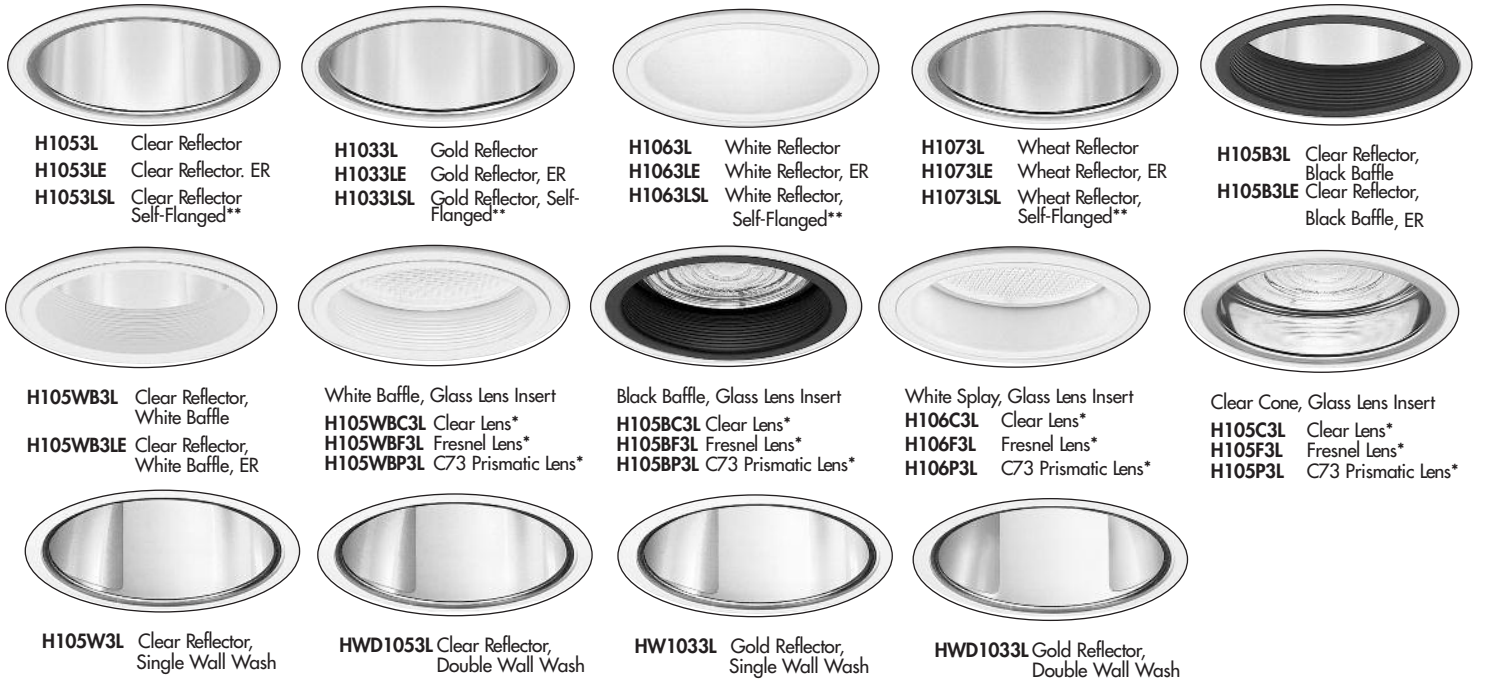


INTEGRAL & REMOTE ER



REV. 09/05

10" HORIZONTAL TRIMS



*UL Listed for wet location. ** Self-flanged has same finish as reflector.

PHOTOMETRICS

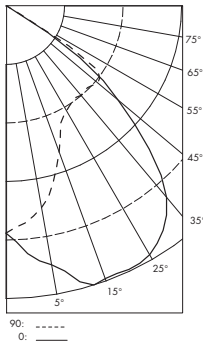
CM10-FX332-H1053L

Description: 10" Compact Fluorescent Horizontal Triple Lamp Downlight, Clear Reflector

Lamp: (3) CFM32W/GX24q
 IES Spacing Criteria: 0.8

Lamp Position: Lamp in number 3 position
 Efficiency: 56.0%
 Report No. ITL50464

Candlepower Curve



Candlepower Summary

Zone Degree	0° Candelas
90	0
85	2
80	5
75	7
70	12
65	21
60	56
55	625
50	1016
45	1409
40	1737
35	1905
30	1998
25	2022
20	2018
15	1986
10	1828
5	1729
0	1580

Conversion Factors

For average footcandle calculations. Multiply footcandles by conversion factor.

Trim Catalog #	Conversion Factor
H103	.93
H104	.87
H106	.69
H107	.89

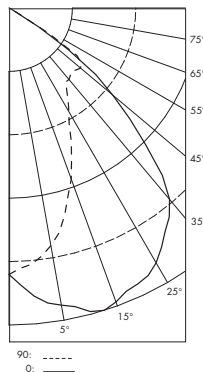
CM10-FX332-H105B3L

Description: 10" Compact Fluorescent Horizontal Triple Lamp Downlight, Clear Reflector

Lamp: (3) CFM32W/GX24q
 IES Spacing Criteria: 0.8

Lamp Position: Lamp in number 3 position
 Efficiency: 45.7%
 Report No. ITL50465

Candlepower Curve



Candlepower Summary

Zone Degree	0° Candelas
90	0
85	1
80	2
75	4
70	7
65	14
60	37
55	414
50	779
45	1112
40	1438
35	1568
30	1694
25	1753
20	1801
15	1809
10	1737
5	1665
0	1534

Conversion Factors

For average footcandle calculations. Multiply footcandles by conversion factor.

Trim Catalog #	Conversion Factor
H103	.93
H104	.87
H106	.69
H107	.89

Capri Lighting reserves the right to make changes without notice. ©2005