

## applications

- Performance indirect luminaire used to illuminate the ceiling or wall for comfortable indirect lighting.

## housing

- Housing is 20 gauge solid or perforated steel finished in a semi-gloss white powder coat finish.
- End caps are die cast aluminum.

## reflector

- Reflector is high reflectance, specular hammertone aluminum.
- Lamp housing can be rotated for variable aiming.

## lens

- Lens is hinged and latched and requires no tools to access lamp. Lens is diffuse tempered glass.

## mounting

- Fixture may be wall mounted, ceiling mounted, stem mounted, semi-recessed in the wall or ceiling, or pendant mounted in double, triple or quad arrangements.

## lamping

- Quartz lamping is 120 volt only.

## finish

- Standard color is textured semi-gloss white powder coat paint.
- Other standard colors are available from color chart.
- Custom colors are available.

## certifications

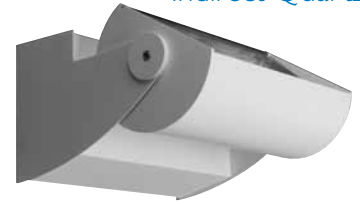
- UL, CUL, and IBEW labeled.

**AM-3004**

01/23/1012

**LAM Asymmetric**

**Horizons**  
Indirect Quartz



## Specifier's Reference

Project

Type

Model No.

Comments

## dimensions

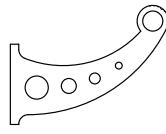
### ARMS



MAH1



MAH2



MAH3



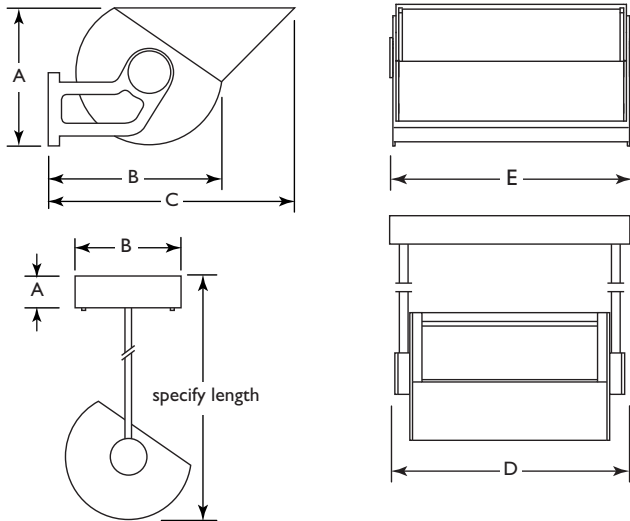
MAH4

## Green Choice:

Series	Lamp Type/Wattage	Mounting	Arm Style	Finish	Voltage	Options
HAA - 106	150QT - 150W T4 DC Base Quartz 250QT - 250W T4 DC Base Quartz 300QT - 300W T4 RSC Base Quartz 350QT - 350W T4 RSC Base Quartz 500QT - 500W T4 RSC Base Quartz	WM - Wall mount CL - Ceiling mount SR - Semi-recessed ST/XX" - Twin stem DB/XX" - Double pendant TR/XX" - Triple pendant QD/XX" - Quad pendant (XX" = specify length from ceiling to bottom of luminaire)	MAH1 MAH2 MAH3 MAH4	SGW - Semi-gloss white (refer to color chart on website for other standard colors) CC - Custom Color	120	GLR - GLR fusing and HLR holder PM - Perforated metal housing (not available with NC) V - Cutoff visor SHB - Box shroud SHW - Wedge shroud SHC - Curved shroud (shrouds are MAH1 arms only, not for natatorium construction) NC - Natatorium construction

**PHILIPS**  
**Day-Brite**

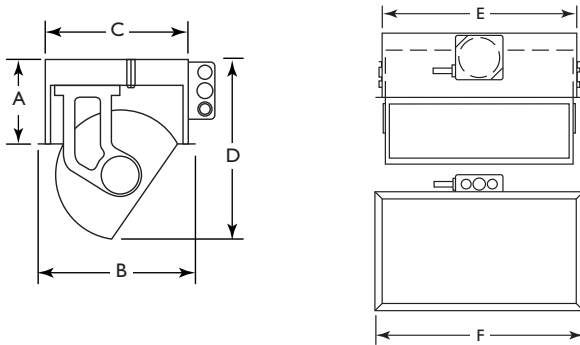
fixture dimensions



Series	A	B	C	E
106	6-1/16" (154 mm)	6-15/16" (176 mm)	13" (330 mm)	10-3/16" (259 mm)

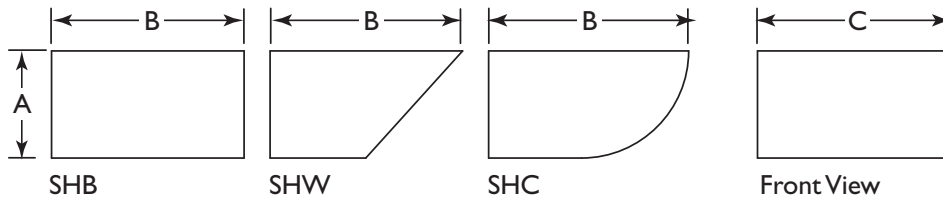
Series	A	B	D
106	1-3/4" (44 mm)	6" (152 mm)	12-1/4" (311 mm)

semi-recessed housing dimensions



Series	A	B	C	D	E	F
106	5-3/4" (146 mm)	8-7/8" (225 mm)	7-3/4" (197 mm)	10-5/8" (270 mm)	11-1/8" (282 mm)	12-3/16" (309 mm)

shroud dimensions



Series	A	B	C
106	6" (152 mm)	12" (305 mm)	11-1/2" (292 mm)



©2012 Philips Day-Brite  
 All rights reserved.  
 776 South Green Street • Tupelo, MS 38804  
 p. 800.732.5213 • f. 800.833.3713 • www.lamlighting.com  
 Canadian Division  
 189 Bullock Drive • Markham, Ontario L3P 1W4  
 p. 905.294.9570 • f. 905.294.9811

Contact Factory for Additional Configurations.  
 Specifications are subject to change without notice.  
 Consult website for latest version of this spec sheet.  
 Some luminaires use fluorescent or high intensity discharge (HID) lamps that contain small amounts of mercury. Such lamps are labeled, "Contain Mercury" and/or the symbol "HG". Lamps that contain mercury must be disposed of in accordance with local requirements. Information regarding lamp recycling and disposal can be found at [www.lamprecycle.org](http://www.lamprecycle.org)

