

**AL-12071**

**Aisle Lighting**

**LED Dock Light Retrofit Kit**  
Industrial Dock Light

**application**

- An energy saving replacement for a traditional 150 Watt PAR unit.
- Consumes only 15 Watts and save 135 Watts when compared to the 150 Watt PAR dock light.
- Designed to replace the existing reflector assembly on a 1.5 inch square steel arm.

**construction & features**

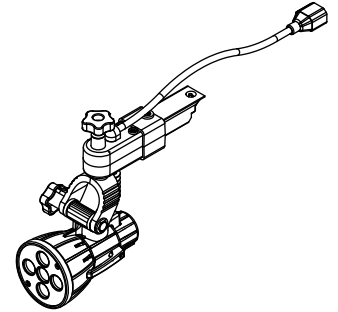
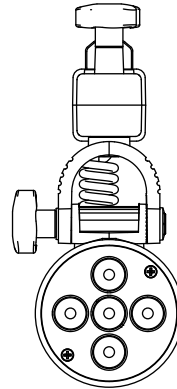
- Die cast aluminum head assembly.
- All metal construction for extended life.
- Adjustable in horizontal and vertical planes.
- Painted "safety yellow" after fabrication for high visibility.
- Shipped fully assembled with a replaceable LED module included.

**electrical**

- Certified by ETL to meet UL 153 and CSA C22.2 No. 12 standards.
- Electronic LED driver.
- Suitable for damp locations.
- Meets NEC and OSHA general safety requirements.

**accessories**

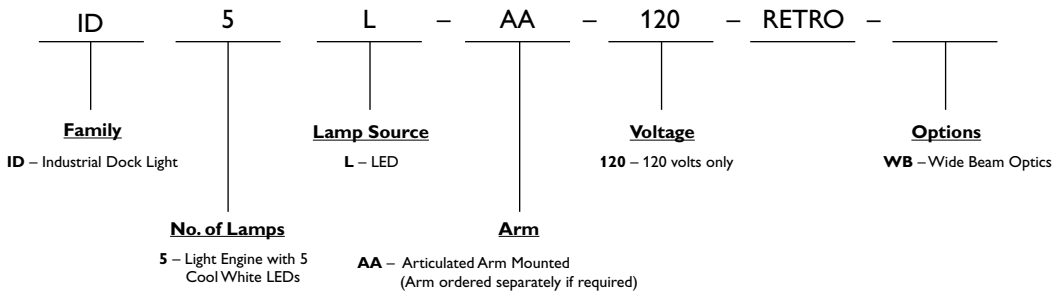
- Optional 42" articulated arm: ID5L42AA-120-ARM.



**Specifier's Reference**

Project
Type
Model No.
Comments

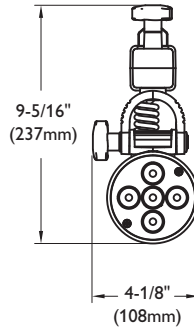
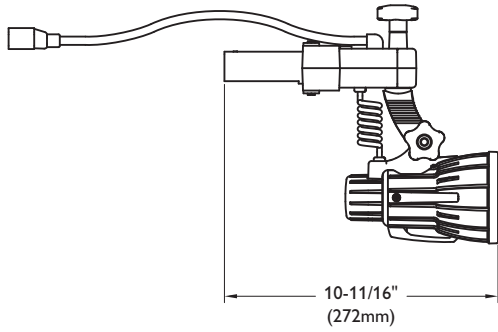
**Green Choice: ID5L-AA-120-RETRO**



# AL-12071

## dimensions

# LED Dock Light Retrofit Kit



## photometry

### LED Dock Light Retrofit Kit

**Catalog No.** ID5L-AA-120-RETRO  
**Test No.** ITL62971 D1

**Footcandles at 52.8'**

2.4	2.9	3.5	3.9	3.9	3.5	2.9	2.4
3.0	3.8	4.6	5.3	5.3	4.7	3.8	3.1
3.6	4.6	5.6	6.3	6.3	5.7	4.6	3.7
4.0	5.3	6.5	7.2	7.3	6.5	5.3	4.1
4.1	5.2	6.4	7.2	7.2	6.5	5.3	4.1
3.6	4.6	5.7	6.5	6.5	5.8	4.7	3.7
2.9	3.7	4.4	5.0	5.0	4.5	3.7	3.0
2.2	2.7	3.3	3.6	3.7	3.3	2.8	2.3
1.7	2.0	2.3	2.5	2.5	2.3	2.0	1.7

**Footcandles at 26'**

1.8	2.1	2.1	1.9	1.5	1.2	1.0	0.9
3.4	4.6	4.8	3.7	2.5	1.7	1.2	1.0
7.1	10.6	11.3	8.0	4.6	2.4	1.5	1.1
12.1	19.7	21.0	14.0	7.2	3.4	1.8	1.2
15.5	24.9	26.5	17.9	8.4	3.7	1.9	1.2
12.0	19.5	20.7	13.8	6.9	3.3	1.8	1.2
6.7	10.0	10.6	7.6	4.4	2.5	1.6	1.1
3.4	4.3	4.5	3.6	2.6	1.7	1.3	1.0
1.9	2.1	2.2	2.0	1.6	1.3	1.1	0.9

**Footcandles at 1'**

0.1	0.2	0.1	0.1	0.1	0.0	0.0	0.1
0.4	0.4	0.2	0.1	0.1	0.0	0.0	0.1
1.9	1.3	0.6	0.2	0.1	0.1	0.0	0.1
11.7	5.6	1.6	0.5	0.2	0.1	0.1	0.1
131	18.7	3.1	0.7	0.2	0.1	0.1	0.1
99.0	17.4	3.0	0.7	0.2	0.1	0.1	0.1
9.4	4.9	1.4	0.4	0.1	0.1	0.0	0.1
1.4	1.1	0.5	0.2	0.1	0.1	0.0	0.1
0.4	0.3	0.2	0.1	0.1	0.1	0.0	0.1



©2010 Philips Day-Brite  
 All rights reserved.

776 South Green Street • Tupelo, MS 38804  
 p. 800.234.1890 • f. 662.841.5501  
 Canadian Division  
 189 Bullock Drive • Markham, Ontario L3P 1W4  
 p. 905.294.9570 • f. 905.294.9811

Contact Factory for Additional Configurations.  
 Specifications are subject to change without notice.