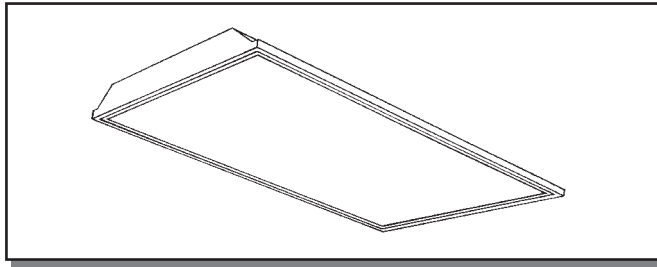


2' x 4' SP TROFFER

2, 3, or 4 Lamp
T8

Prismatic Acrylic Lens



CONSTRUCTION/FINISH

- Specification quality recessed troffer for the following "NEMA" ceiling types: NEMA "G"-Grid, NEMA "NFSG"-Narrow Faced Slot Grid, NEMA "GR"-Grid Regressed, NEMA "NFG"-Narrow Faced Grid, NEMA "F"-Flange.
- Housing and door frame have smooth edges for easy handling.
- Housing is multi-stage phosphate treated for maximum corrosion resistance and finish coat is high reflectance baked white enamel.
- One piece unitized body including end plates for added rigidity.
- Troffer body die-formed CR steel with reinforcing ribs for rigidity.
- 7/8" K.O.'s provided in each end cap and quick wire access plate in housing top with two 7/8" K.O.'s provided.
- Snap on wireway cover.
- T-bar grid clips (UL listed and patented) built into luminaire end plates, no extra parts required.
- Low profile body minimizes clearance required.
- All units have wire hanger tabs for independent wire suspension.

ELECTRICAL

- Energy saving T8 lamps and electronic ballasts are standard.
- Class P, HPF ballasts comply with ©Federal Ballast Law (Public Law 100-357,1988).
- UL listed, suitable for damp locations. Canadian certified optional.
- Self-contained fluorescent emergency power packs can be incorporated. UL listed for dry locations.
- No exposed internal wiring.
- Twist lock lampholders are standard for positive lamp retention.

ENCLOSURES

- Formed steel and aluminum door frames feature mitered corners.
- Door frames can be hinged and latched from either side.
- White (standard) or black (optional) door frames available.
- Door frames utilize "T" hinges.
- White spring loaded latches are standard.

CATALOG NUMBER

2			32	-				-		-	
WIDTH 2 - 2'	CEILING TYPE G - Grid F - Flange	LAMP TYPE/WATTAGE 32 - 32wT8 (48")	LENS 01 - Prismatic Acrylic 12 - DB-12, .125" 19 - DB-19, .156" 21 - Pattern 12, .125" See sheet 412-SR for other options.	VOLTAGE 120 277 347 UNV - Universal Voltage, 120-277 volt	FIXTURE FAMILY SP - SP Troffer SPC - Canadian Model	NO. OF LAMPS (not included) 2 3 4	DOOR FRAME FS - Flat Steel FA - Flat Aluminum RA - Regressed Aluminum	DOOR FINISH BLANK - White Door B - Black Door	OPTIONS 1/2 - One 2-lamp ballast (electronic or non-standard) 1/3 - One 3-lamp ballast (electronic or non-standard) 1/21 - 2-lamp & 1-lamp ballasts (electronic or non-standard) 1/4 - One 4-lamp ballast (electronic or non-standard) 2/2 - Two 2-lamp ballasts (electronic or non-standard) EB - Electronic ballast, <20% THD EB10I - Electronic ballast, instant start, <10% THD EB10R - Electronic ballast, program rapid start, <10% THD E1 - DEB-1 emerg. ballast, 350-450 lumens, UL dry loc. E7 - DEB-7 emerg. ballast, 600-700 lumens, UL dry loc. E5 - DEB-5 emerg. ballast, 1100-1400 lumens, UL dry loc. E5ST - DEB-5ST emerg. ballast w/self test, 1100-1400 lumens, UL dry loc. F1 - Installed flex, 3/8" diameter, 18 gauge, 3 wire, 6' F2 - Installed flex, 3/8" diameter, 18 gauge, 4 wire, 6' GLR# - Fusing, fast blow (# = number of ballasts) LPT735 - Installed lamps, 70+ CRI, 3500K 1W - 1-way gasketing, between lens & door frame 2W - 2-way gasketing, 1W + gasketing between door frame & housing 3W - 3-way gasketing, 2W + gasketing for field installation between housing & ceiling Job pack, stretch wrapped w/o cartons Master/Satellite wiring		

See section 1600-OA for option info.

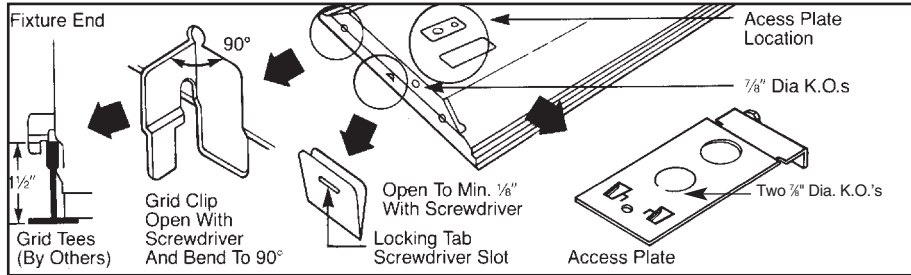
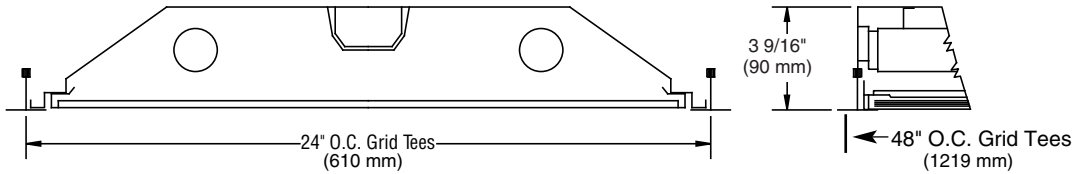
JOB INFORMATION

417.4-SR

PHILIPS
Day-Brite

2' x 4' 2 LAMP

DIMENSIONS

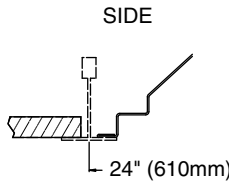


2 **SP** **G** **2** **32**

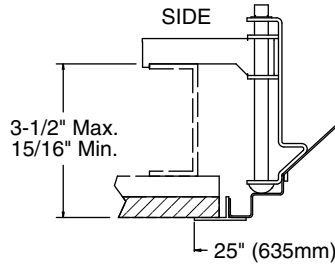
CEILING TYPE

G = GRID (NEMA G)

F = FLANGE (NEMA F)



(NEMA Type G)
Lay-in acoustical ceilings using exposed grid suspension, with tees for fixtures on 24" x 48" spacing.



(NEMA Type F)
Flange for acoustical ceilings using concealed mechanical suspension. Swing-jack mounting brackets: adjustment 3-1/2" max. and 15/16" min.

PHOTOMETRIC DATA

CATALOG # 2SPG232-FS01-1/2-EB
TEST #26375 S/MH = 1.4

LAMPS = F32T8
BALLAST = ELECTRONIC

INPUT WATTS = 57
BALLAST FACTOR = .87

LER = 73

COMPARATIVE YEARLY LIGHTING ENERGY COST PER 1000 LUMENS = \$3.29 BASED ON 3000 HRS. AND \$.08 PER KWH.

FIXTURE EFFICIENCY = 83.8%

CANDLEPOWER				
Angle	End	45	Cross	
0	1749	1749	1749	
5	1756	1747	1735	
10	1734	1734	1731	
15	1695	1712	1722	
20	1643	1678	1707	
25	1580	1632	1684	
30	1468	1569	1651	
35	1359	1486	1599	
40	1226	1376	1506	
45	1076	1226	1352	
50	905	1048	1142	
55	713	841	902	
60	541	627	681	
65	397	434	491	
70	298	294	343	
75	230	204	232	
80	173	152	155	
85	96	91	88	

MAINTAINED ILLUMINATION TABLE- Square Feet/Fixture*

- 80-50-20 Reflectances (Ceiling-Wall-Floor)
- LLF = 0.75 2850 Lumens/Lamp very clean
- Room width divided by room height = 5 or more, 2 or 1

Fixture Size & # of Lamps	Room Width Room Height =	Approx. Area (sq. ft.) per Fixture				
		10 ft-c	30 ft-c	50 ft-c	70 ft-c	100 ft-c
2-Lamp T8	5	-	124	75	53	37
	2	-	86	52	37	-
	1	-	63	38	-	-

*Observe Fixture S/MH Requirements for Specific Applications

AVERAGE LUMINANCE CD/SQ.M WITH 2850 LUMEN LAMPS

ANGLE	END	45°	CROSS
45	2331	2656	2928
55	1904	2246	2409
65	1439	1573	1779
75	1361	1207	1373
85	1687	1599	1546

TYPICAL V.C.P.'s

Room Size	Mounting Height Lengthwise Crosswise			
	8.5	10	8.5	10
30x30	63	67	62	65
40x40	59	63	59	62
60x30	65	69	65	68
60x60	55	58	56	59
100x100	52	54	53	55

COEFFICIENT OF UTILIZATION

p/c pcc pw	20				70				50			
	70	50	30	10	70	50	30	10	50	30	10	30
RCR												
0	100	100	100		96	96	96		93	93	93	
1	92	88	83		89	85	82		81	80	80	
2	83	77	71		81	76	70		72	68	68	
3	77	68	61		75	67	60		64	58	58	
4	69	60	54		68	59	53		57	52	52	
5	65	54	46		63	53	46		52	46	46	
6	59	48	41		57	47	40		46	40	40	
7	56	45	36		54	44	36		42	35	35	
8	52	40	34		51	40	33		39	33	33	
9	47	36	30		46	36	29		35	29	29	
10	45	34	28		44	34	28		33	27	27	

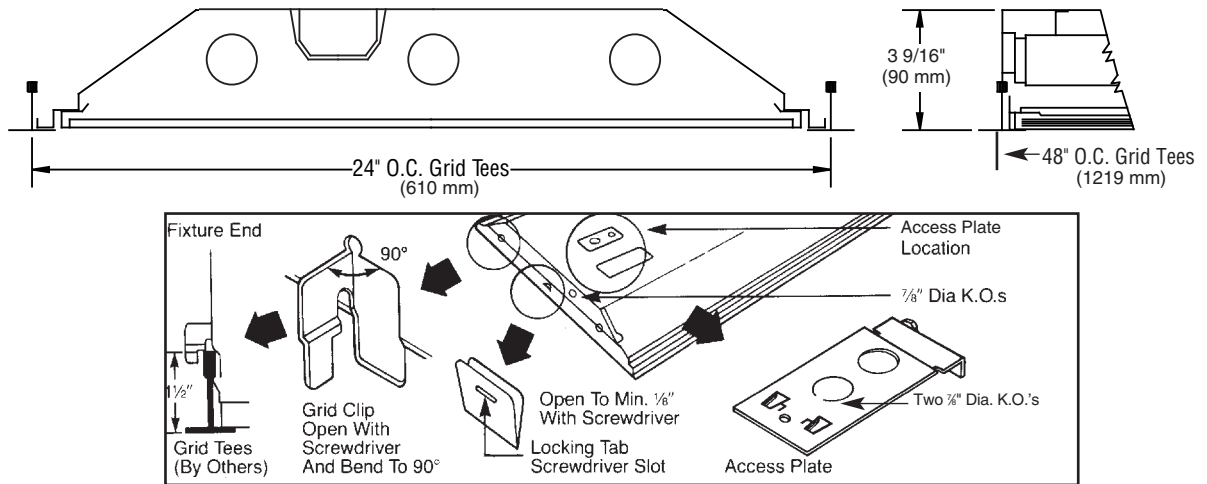
LIGHT DISTRIBUTION

DEGREES	LUMENS	% LAMP	% FIXTURE
0-30	1401	24.6	29.3
0-40	2326	40.8	48.7
0-60	3996	70.1	83.6
0-90	4778	83.8	100.0

LLF = .74 LLF = LIGHT LOSS FACTOR LLF = LDD X LLD X BF LDD = VERY CLEAN 0.94 CLEAN 0.90
LLD = 0.91 @ 40% RATED LAMP LIFE BF = 0.87 ELECTRONIC BALLAST & T8 LAMP (RELAMP AT 70% LAMP LIFE)

2' x 4' 3 LAMP

DIMENSIONS



PHOTOMETRIC DATA

CATALOG # 2SPG332-FS01-1/3-EB
TEST #29000 S/MH = 1.3

LAMPS = F32T8
BALLAST = ELECTRONIC

INPUT WATTS = 81
BALLAST FACTOR = .88

LER = 77

COMPARATIVE YEARLY LIGHTING ENERGY COST PER 1000 LUMENS = \$3.12 BASED ON 3000 HRS. AND \$.08 PER KWH.

FIXTURE EFFICIENCY = 83.0%

CANDLEPOWER			
Angle	End	45	Cross
0	2774	2774	2774
5	2781	2762	2753
10	2748	2746	2742
15	2689	2699	2719
20	2605	2639	2671
25	2489	2555	2591
30	2340	2418	2474
35	2150	2239	2318
40	1925	2011	2109
45	1648	1742	1847
50	1358	1455	1548
55	1106	1173	1254
60	867	867	954
65	644	586	679
70	466	370	500
75	341	256	395
80	245	199	297
85	130	121	156

MAINTAINED ILLUMINATION TABLE- Square Feet/Fixture*

- 80-50-20 Reflectances (Ceiling-Wall-Floor)
- LLF = 0.75 2850 Lumens/Lamp very clean
- Room width divided by room height = 5 or more, 2 or 1

Fixture Size & # of Lamps	Room Width Room Height =	Approx. Area (sq. ft.) per Fixture				
		10 ft-c	30 ft-c	50 ft-c	70 ft-c	100 ft-c
3-Lamp T8	5	-	-	112	80	56
	2	-	130	78	56	39
	1	-	96	58	41	-

*Observe Fixture S/MH Requirements for Specific Applications

AVERAGE LUMINANCE CD/SQ.M WITH 2850 LUMEN LAMPS			
ANGLE	END	45°	CROSS
45	3421	3616	3834
55	2830	3002	3209
65	2237	2035	2358
75	1934	1452	2240
85	2189	2038	2627

TYPICAL V.C.P.'s				
Room Size	Mounting Height			
	Lengthwise	8.5	10	Crosswise
30x30	56	61	54	58
40x40	53	57	50	54
60x30	59	63	57	61
60x60	49	52	46	49
100x100	46	48	43	45

COEFFICIENT OF UTILIZATION

pfc	20				70				50				
	pcc	80	50	30	80	50	30	80	50	30	80	50	30
RCR	0	98	98	98	95	95	95	92	92	92	92	92	92
	1	91	86	83	89	84	81	81	81	79	79	79	79
	2	82	77	70	81	75	69	71	68	68	68	68	68
	3	76	68	61	73	67	60	64	58	58	58	58	58
	4	69	60	54	68	59	53	57	52	52	52	52	52
	5	65	55	46	63	54	46	52	46	46	46	46	46
	6	59	48	41	57	48	41	46	40	40	40	40	40
	7	56	45	38	54	44	36	42	36	36	36	36	36
	8	52	40	34	51	40	34	39	33	33	33	33	33
	9	48	38	30	46	36	30	35	29	29	29	29	29
	10	46	34	28	44	34	28	34	28	28	28	28	28

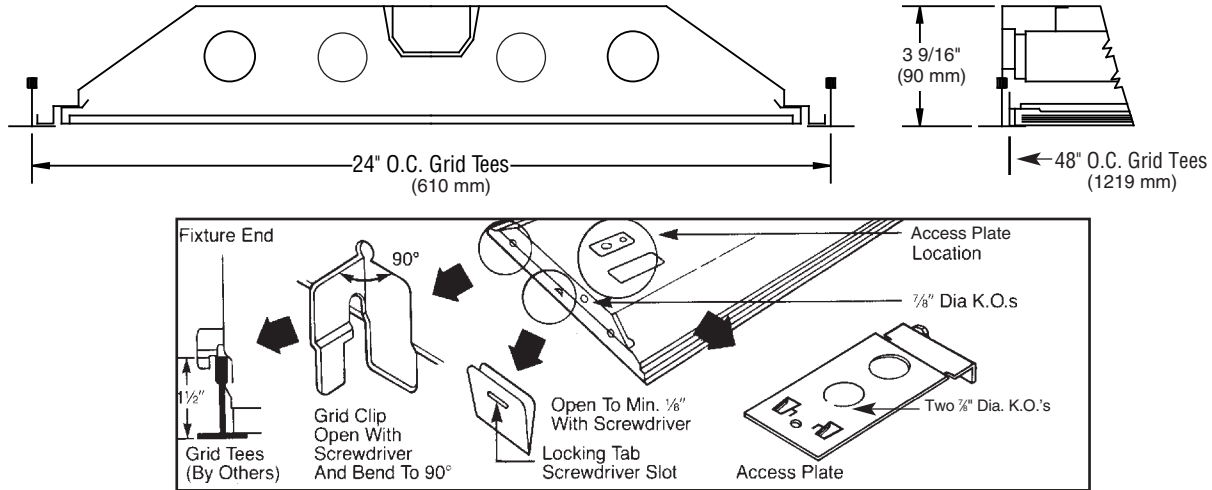
LIGHT DISTRIBUTION

DEGREES	LUMENS	% LAMP	% FIXTURE
0-30	2198	25.7	31.0
0-40	3594	42.0	50.7
0-60	5980	69.9	84.3
0-90	7093	83.0	100.0

LLF = .75 LLF = LIGHT LOSS FACTOR LLF = LDD X LLD X BF LDD = VERY CLEAN 0.94 CLEAN 0.90
LLD = 0.91 @ 40% RATED LAMP LIFE BF = 0.88 ELECTRONIC BALLAST & T8 LAMP (RELAMP AT 70% LAMP LIFE)

2' x 4' 4 LAMP

DIMENSIONS



PHOTOMETRIC DATA

CATALOG # 2SPG432-FS01-1/4-EB
TEST #26374 S/MH = 1.3

LAMPS = F32T8
BALLAST = ELECTRONIC

INPUT WATTS = 106
BALLAST FACTOR = 87

LER = 74

COMPARATIVE YEARLY LIGHTING ENERGY COST PER 1000 LUMENS = \$3.20 BASED ON 3000 HRS. AND \$.08 PER KWH.

FIXTURE EFFICIENCY = 78.7%

CANDLEPOWER			
Angle	End	45	Cross
0	3385	3385	3385
5	3404	3377	3356
10	3359	3348	3345
15	3285	3301	3323
20	3179	3236	3281
25	3037	3130	3203
30	2858	2998	3110
35	2629	2814	2946
40	2369	2571	2719
45	2080	2288	2412
50	1741	1914	2017
55	1383	1538	1613
60	1043	1141	1217
65	758	803	875
70	564	539	615
75	438	374	420
80	330	279	282
85	186	166	162

MAINTAINED ILLUMINATION TABLE- Square Feet/Fixture*

- 80-50-20 Reflectances (Ceiling-Wall-Floor)
- LLF = 0.74 2850 Lumens/Lamp very clean
- Room width divided by room height = 5 or more, 2 or 1

Fixture Size & # of Lamps	Room Width Room Height =	Approx. Area (sq. ft.) per Fixture				
		10 ft-c	30 ft-c	50 ft-c	70 ft-c	100 ft-c
4-Lamp T8	5	-	-	140	100	70
	2	-	-	97	69	49
	1	-	119	72	51	36

*Observe Fixture S/MH Requirements for Specific Applications

AVERAGE LUMINANCE CD/SQ.M WITH 2850 LUMEN LAMPS

ANGLE	END	45	CROSS
45	4505	4956	5224
55	3693	4107	4307
65	2747	2910	3171
75	2592	2213	2485
85	3269	2917	2847

TYPICAL V.C.P.'s Room Mounting Height Size Lengthwise Crosswise

	8.5	10	8.5	10
30x30	48	52	48	52
40x40	44	48	45	48
60x30	51	55	50	54
60x60	40	43	41	44
100x100	38	39	36	41

COEFFICIENT OF UTILIZATION

pfc pcc pw RCR	20			70			50		
	80	50	30	70	50	30	50	30	
0	93	93	93	92	92	92	86	86	
1	85	82	79	83	81	78	77	75	
2	79	72	68	77	70	66	68	64	
3	71	64	57	69	63	56	60	56	
4	66	56	51	65	56	50	54	48	
5	60	51	45	59	51	44	48	42	
6	56	46	40	55	46	39	44	39	
7	53	41	34	51	41	34	40	34	
8	48	39	32	47	38	32	36	30	
9	46	34	28	45	34	28	34	28	
10	42	33	27	41	32	26	30	26	

LIGHT DISTRIBUTION

DEGREES	LUMENS	% LAMP	% FIXTURE
0-30	2695	23.6	30.0
0-40	4443	39.0	49.5
0-60	7528	66.0	83.9
0-90	8975	78.7	100.0

LLF = .74 LLF = LIGHT LOSS FACTOR LLD = LDD X LLD X LLD LDD = VERY CLEAN 0.94 CLEAN 0.90
LLD = 0.91 @ 40% RATED LAMP LIFE BF = 0.87 ELECTRONIC BALLAST & T8 LAMP (RELAMP AT 70% LAMP LIFE)

417.4-SR

DAY-BRITE LIGHTING • www.daybritelighting.com
776 South Green Street • Tupelo, Mississippi 38804 • PH: (662) 842-7212 • FAX: (662) 841-5501
CANADIAN DIVISION
189 Bullock Drive • Markham, Ontario L3P 1W4 • PH: (905) 294-9570 • FAX: (905) 294-9811
©AUGUST 2010 DAY-BRITE LIGHTING DAY-BRITE RESERVES THE RIGHT TO MAKE CHANGES WITHOUT NOTICE.

PHILIPS
Day-Brite