

Specifier's Reference

Project
Type
Model No.
Comments

application

- Highly efficient, highly flexible recessed air handling luminaire with an upscale architectural appearance.
- Excellent visual comfort, ideal for modern high tech offices.
- Other applications include schools and retail environments.
- Controlled high-angle lighting eliminates “cave effect” without creating glare, for uniform lighting and high visual comfort.
- Lumen packages range from 2,400 to 4,000 initial delivered lumens, providing flexibility to optimize light levels for a specific application.
- High CRI source provides excellent color rendering with a CRI of 80.
- LEDs are an excellent source for use with controls since frequent switching does not affect the life of the light source.
- Specific models are available for Grid, Flange, Z-spline/Modular or Screw Slot ceiling systems.
- Designed for air supply/return through side slots in black reveal. See sheet 518-AH for air flow data.

construction/finish

- One piece die-formed embossed steel housing provides added rigidity, resists damage during shipment/handling.
- Black reveal around enclosure provides floating appearance and disguises air slots. White reveal is available.
- Integral T-bar clips are built into luminaire ends for quick and easy installation, no extra parts required.
- K.O. in luminaire ends for thru wiring or conduit entry in shallow plenums.

electrical

- Driver and LED boards are easily accessible from below without tools. LED boards are individually replaceable, if required, via plug-in connectors.
- 0-10V dimming is available for 3,100 lumen or 4,000 lumen models.
- Available emergency option provides 1600 delivered lumens in emergency mode (requires ballast enclosure on top of luminaire).
- Five year standard luminaire warranty including LED boards and driver. Emergency driver and batteries have a three year warranty in models so equipped.
- High efficiency LEDs have a minimum 50,000 hour rated life (L₇₀).
- ETL listed to UL standards, suitable for damp locations.

enclosures

- Captive one-piece enclosure hinges down as an assembly for easy access to internals if needed.
- Guide-post spring loaded latches allow easy opening and closing of the enclosure.
- Rounded acrylic diffusers are available with or without additional overlay to allow emphasis on efficiency or visual comfort depending on specific application requirements.

accessories

- **FKDP22** – Flange conversion kit 2'x2'.
- **FMA22** – 2'x2' “F” mounting frame for NEMA “F” mounting.

Green Choice: 2ATNGA24L840-2-D-UNV

2	AT	N	A	- 2 -	-	-
Width 2 - 2'		Distribution N - Standard	Air Function A - Air Supply/Return	Length 2 - 2'		Voltage UNV - Universal Voltage, 120-277 volt 347
	Family AT - Attune	Ceiling Type G - Grid F - Flange T - Screw Slot Z - Z Spline/Modular	Lumens 24L840 - 2400 delivered lumens, 80 CRI, 4000K 31L840 - 3100 delivered lumens, 80 CRI, 4000K 34L840 - 3400 delivered lumens, 80 CRI, 4000K 40L840 - 4000 delivered lumens, 80 CRI, 4000K	Diffusers D - Diffuse DO - Diffuse w/overlay		Options APC - Air pattern control blades ASC - Snap out air slot covers CM - Canadian Market CC - Custom Color F1 - 3/8" flex, 3 wire 18 gauge F2 - 3/8" flex, 4 wire 18 gauge GLR1 - Fusing, Fast Blow PAF - Housing painted after fabrication WR - White reveal DIM - 0-10V dimming driver (31L840 and 40L840 models only) EMLED16 - Integral emergency battery pack (1600 delivered lumens, requires ballast enclosure on top of luminaire)

Accessories

- **FKDP22** – Flange conversion kit 2'x2'
- **FMA22** – 2'x2' “F” mounting frame for NEMA “F” mounting

energy data

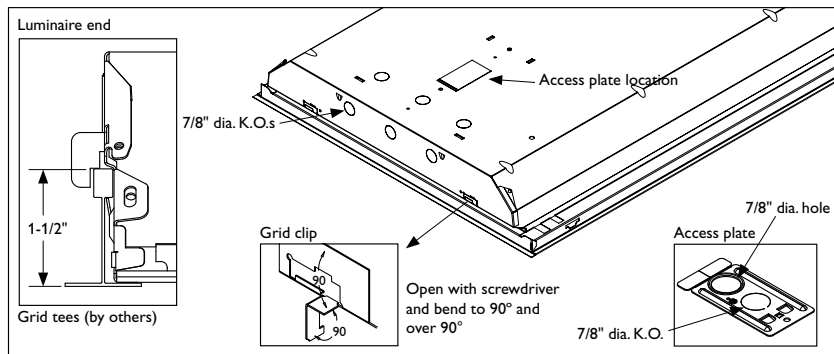
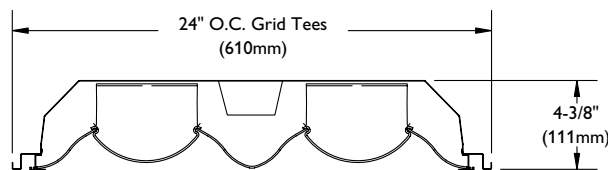
Model	Initial Delivered Lumens at 25°C Ambient	Input Power	Lumens Per Watt
2ATNGA24L840-2-D	2432	31W	78LPW
2ATNGA24L840-2-DO	1894	31W	61LPW
2ATNGA31L840-2-D	3065	40W	77LPW
2ATNGA31L840-2-DO	2415	40W	60LPW
2ATNGA34L840-2-D	3423	45W	76LPW
2ATNGA34L840-2-DO	2697	46W	59LPW
2ATNGA40L840-2-D	3960	54W	73LPW
2ATNGA40L840-2-DO	3106	58W	54LPW

Fluorescent Configuration	Approx. Total Delivered Lumens	Attune Air LED Equivalent*
2 lamp T8 31U6	3,500	2ATNGA34L840-2-D
2 lamp T8 31U1	3,900	2ATNGA40L840-2-D
3 lamp T8 31U1	5,500	n/a max. lumens would be 2ATNGA40L840-2-D
2 lamp T12 40U6	2,800	2ATNGA31L840-2-D
3 lamp T12 40U3	3,800	2ATNGA40L840-2-D

Fluorescent Configuration	Approx. Total Delivered Lumens	Attune Air LED Equivalent
2 lamp T8 17W	2,000	2ATNGA24L840-2-D
3 lamp T8 17W	2,850	2ATNGA31L840-2-D
4 lamp T8 17W	3,650	2ATNGA34L840-2-D
2 lamp CF40	4,800	n/a, max. lumens would be 2ATNG40L840-2-D
3 lamp CF40	6,900	n/a, max. lumens would be 2ATNG40L840-2-D

*Attune Air LED equivalent will provide similar delivered lumens and light levels. Analysis to determine appropriate light levels for the space is highly recommended.

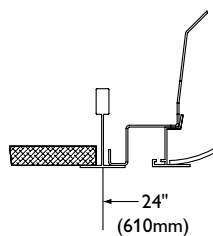
dimensions



ceiling configuration

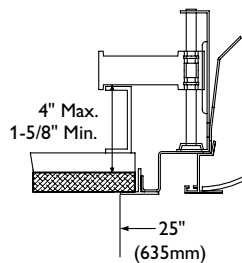
2 AT N G A 31L840
Ceiling type

G = Grid (NEMA G)
SIDE



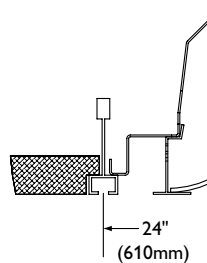
(NEMA Type G)
Lay-in acoustical ceilings using exposed grid suspension, with tees for luminaires on 24" x 24" spacing.

F = Flange (NEMA F)
SIDE



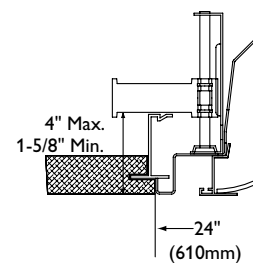
(NEMA Type F)
Flange for acoustical ceilings using concealed mechanical suspension. Swing-jack mounting brackets: adjustment 4" max. and 1-5/8" min. Refer to sheet 801-CL for cut-out information.

T = Screw Slot (NEMA SS)
SIDE



Bottom of enclosure is flush with ceiling plane.
(NEMA Type SS)
Typical Screw Slot Ceiling System.

Z = Modular & "Z" Spline (NEMA M/Z)
SIDE



(NEMA M/Z)
Modular and "Z" Spline using concealed mechanical suspension. Swing-jack mounting brackets: adjustment 4" max. and 1-5/8" min.

photometry

2x2 Attune Air LED, 2400 delivered lumens, diffuse

LER – 78

Catalog No. 2ATNGA24L840-2-D Test No. 29634D1 S/MH 1.2 Lamp Type 30VWLED Lumens/Lamp 2432 Input Watts 31 Comparative yearly lighting energy cost per 1000 lumens – \$3.08 based on 3000 hrs. and \$.08 pwr KWH. The photometric results were obtained in the Philips Day-Brite laboratory which is NVLAP accredited by the National Institute of Standards and Technology. Photometric values based on test performed in compliance with LM-79.	Candlepower				Light Distribution			Average Luminance									
	Angle	End	45	Cross	Degrees	Lumens	% Luminaire	Angle	End	45°	Cross						
	0	983	983	983	0-30	751	30.9	45	2479	2771	2887						
	5	975	980	982	0-40	1211	49.8	55	2102	2479	2582						
	10	959	965	967	0-60	2043	84.0	65	1706	2062	1954						
	15	929	940	943	0-90	2433	100.0	75	1241	1443	1253						
	20	888	904	911	Coefficients of Utilization												
	25	835	860	869	EFFECTIVE FLOOR CAVITY REFLECTANCE 20 PER (pfc=0.20)												
	30	768	804	820	pcc	80			70			50					
	35	701	740	765	pw	70	50	30	70	50	30	50	30				
	40	620	670	698	RCR												
	45	535	598	623	0	118	118	118	115	115	115	111	111				
	50	454	515	544	1	110	105	101	107	103	98	98	95				
	55	368	434	452	2	100	93	85	97	91	84	86	81				
	60	289	352	345	3	92	81	73	90	80	72	77	70				
	65	220	266	252	4	83	72	65	81	71	64	68	61				
	70	154	181	167	5	78	66	56	76	64	56	61	55				
	75	98	114	99	6	71	58	51	69	57	50	56	48				
	80	54	58	47	7	67	54	45	65	53	45	51	44				
	85	17	20	17	8	61	48	40	60	48	40	46	40				
				9	57	45	36	56	45	36	44	36					
				10	55	41	34	53	40	34	40	33					

2x2 Attune Air LED, 3100 delivered lumens, diffuse

LER – 77

Catalog No. 2ATNGA31L840-2-D Test No. 29633D1 S/MH 1.2 Lamp Type 38VWLED Lumens/Lamp 3065 Input Watts 40 Comparative yearly lighting energy cost per 1000 lumens – \$3.12 based on 3000 hrs. and \$.08 pwr KWH. The photometric results were obtained in the Philips Day-Brite laboratory which is NVLAP accredited by the National Institute of Standards and Technology. Photometric values based on test performed in compliance with LM-79.	Candlepower				Light Distribution			Average Luminance									
	Angle	End	45	Cross	Degrees	Lumens	% Luminaire	Angle	End	45°	Cross						
	0	1239	1239	1239	0-30	946	30.9	45	3132	3489	3637						
	5	1229	1235	1236	0-40	1527	49.8	55	2679	3125	3205						
	10	1209	1218	1217	0-60	2574	84.0	65	2132	2589	2458						
	15	1173	1184	1188	0-90	3065	100.0	75	1570	1772	1595						
	20	1119	1139	1148	Coefficients of Utilization												
	25	1051	1084	1095	EFFECTIVE FLOOR CAVITY REFLECTANCE 20 PER (pfc=0.20)												
	30	972	1013	1034	pcc	80			70			50					
	35	882	937	961	pw	70	50	30	70	50	30	50	30				
	40	784	849	879	RCR												
	45	676	753	785	0	118	118	118	115	115	115	111	111				
	50	573	654	686	1	110	105	101	107	103	98	98	95				
	55	469	547	561	2	100	93	85	97	91	84	86	81				
	60	368	444	438	3	92	81	73	90	80	72	77	70				
	65	275	334	317	4	83	72	65	81	71	64	68	61				
	70	195	228	211	5	78	66	56	76	64	56	61	55				
	75	124	140	126	6	71	58	51	69	57	50	56	48				
	80	68	74	63	7	67	54	45	65	53	45	52	44				
	85	23	25	24	8	61	48	40	60	48	40	46	40				
				9	57	45	36	56	45	36	44	36					
				10	55	41	34	53	40	34	40	33					

2x2 Attune Air LED, 3400 delivered lumens, diffuse

LER – 76

Catalog No. 2ATNGA34L840-2-D Test No. 29636D1 S/MH 1.2 Lamp Type 45VWLED Lumens/Lamp 3423 Input Watts 45 Comparative yearly lighting energy cost per 1000 lumens – \$3.16 based on 3000 hrs. and \$.08 pwr KWH. The photometric results were obtained in the Philips Day-Brite laboratory which is NVLAP accredited by the National Institute of Standards and Technology. Photometric values based on test performed in compliance with LM-79.	Candlepower				Light Distribution			Average Luminance									
	Angle	End	45	Cross	Degrees	Lumens	% Luminaire	Angle	End	45°	Cross						
	0	1385	1385	1385	0-30	1057	30.9	45	3526	3874	4078						
	5	1374	1380	1382	0-40	1705	49.8	55	2942	3485	3627						
	10	1350	1360	1362	0-60	2874	84.0	65	2365	2900	2714						
	15	1310	1324	1329	0-90	3423	100.0	75	1772	2064	1848						
	20	1249	1272	1285	Coefficients of Utilization												
	25	1172	1211	1227	EFFECTIVE FLOOR CAVITY REFLECTANCE 20 PER (pfc=0.20)												
	30	1085	1132	1159	pcc	80			70			50					
	35	981	1043	1074	pw	70	50	30	70	50	30	50	30				
	40	870	944	984	RCR												
	45	761	836	880	0	118	118	118	115	115	115	111	111				
	50	632	725	767	1	110	105	101	107	103	98	98	95				
	55	515	610	635	2	100	93	85	97	91	84	86	81				
	60	410	495	496	3	92	81	73	90	80	72	77	70				
	65	305	374	350	4	83	72	65	81	71	64	68	61				
	70	217	256	240	5	78	66	56	76	64	56	61	55				
	75	140	163	146	6	71	58	51	69	57	50	56	48				
	80	75	84	71	7	67	54	45	65	53	45	51	44				
	85	25	27	26	8	61	48	40	60	48	40	46	40				
				9	57	45	36	56	45	36	44	36					
				10	55	41	34	53	40	34	40	33					

photometry

2x2 Attune Air LED, 4000 delivered lumens, diffuse

LER – 73

Catalog No.	2ATNGA40L840-2-D	Candlepower				Light Distribution			Average Luminance					
Test No.	29635D1	Angle	End	45	Cross	Degrees	Lumens	% Luminaire	Angle	End	45°	Cross		
S/MH	1.2	0	1603	1603	1603	0-30	1224	30.9	45	4022	4481	4740		
Lamp Type	53WLED	5	1590	1598	1601	0-40	1974	49.8	55	3439	4010	4210		
Lumens/Lamp	3960	10	1562	1573	1579	0-60	3324	83.9	65	2783	3342	3171		
Input Watts	54	15	1514	1533	1539	0-90	3960	100.0	75	2013	2367	2051		
		20	1444	1472	1487				85	1128	1128	1090		
		25	1357	1398	1420									
		30	1254	1304	1339									
		35	1136	1206	1247									
		40	1014	1087	1140									
		45	868	967	1023									
		50	735	837	888									
		55	602	702	737									
		60	469	566	573									
		65	359	431	409									
		70	253	299	272									
		75	159	187	162									
		80	89	99	81									
		85	30	30	29									
Comparative yearly lighting energy cost per 1000 lumens – \$3.29 based on 3000 hrs. and \$.08 pwr KWH.														
The photometric results were obtained in the Philips Day-Brite laboratory which is NVLAP accredited by the National Institute of Standards and Technology.														
Photometric values based on test performed in compliance with LM-79.														
						Coefficients of Utilization								
						EFFECTIVE FLOOR CAVITY REFLECTANCE 20 PER (pfc=0.20)								
						pcc	80			70			50	
						pw	70	50	30	70	50	30	50	30
						RCR								
						0	118	118	118	115	115	115	111	111
						1	110	105	101	107	103	98	98	95
						2	100	93	85	97	91	84	86	81
						3	92	81	73	90	80	72	77	70
						4	83	72	65	81	71	64	68	61
						5	78	66	56	76	64	56	61	55
						6	71	58	51	69	57	50	56	48
						7	67	54	45	65	53	45	52	44
						8	61	48	40	60	48	40	46	40
						9	57	45	36	56	45	36	44	36
						10	55	41	34	53	40	34	40	33

Use the following photometric tests for applications with overlays:

Test Number	Catalog Number
29651D1	2ATNGA24L840-2-DO
29644D1	2ATNGA31L840-2-DO
29645D1	2ATNGA34L840-2-DO
29646D1	2ATNGA40L840-2-DO



©2011 Philips Day-Brite
 All rights reserved.
 776 South Green Street • Tupelo, MS 38804
 p. 800.234.1890 • f. 662.841.5501 • www.daybrite.com
 Canadian Division
 189 Bullock Drive • Markham, Ontario L3P 1W4
 p. 905.294.9570 • f. 905.294.9811

Contact Factory for Additional Configurations.
 Specifications are subject to change without notice.
 Consult website for latest version of this spec sheet.