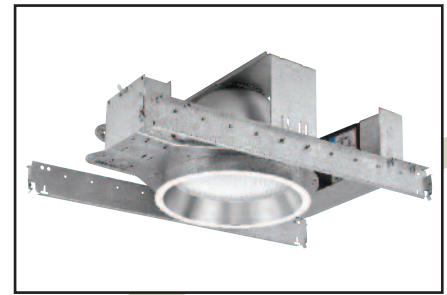


OM10IH210T9MHSPL

10" Horizontal Metal Halide Splay Lens Reflector Downlights

CAT. NO:	
TYPE:	PROJECT:



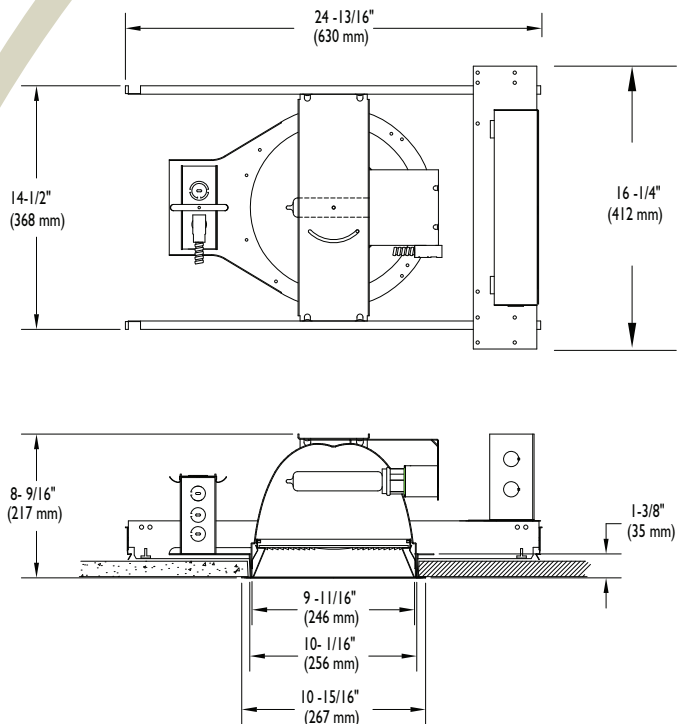
PRODUCT INFORMATION

Applications

A soft edged, lensed downlight for use with energy efficient H.I.D. lamps. Provides broad, uniform light distribution while concealing lamp image and maintaining good visual cutoff. Ideal for areas such as lobbies, corridors, canopies, soffits and atriums.

Specifications

- Mounting pan** - Precision die-stamped 16 gauge galvanized steel mounting pan and yoke assembly. Accommodates ceiling materials up to 1-3/8" thick.
- Installation** - Mounting pan has pre-installed C-channels with vertical and horizontal adjustments. Ballast, junction box and mounting brackets are accessible from below ceiling. For 27" flat bar hanger pair; specify Q1031 accessory, ordered separately.
- Splay trim** - Spun aluminum regressed splay trim with white powder paint finish. Torsion spring mounting for ease of installation. Flat fresnel and prismatic lens for smooth, even distribution of light. Flat clear lens for enclosed application.
- Baffle** - Precision machined .051 aluminum with deep grooves to minimize aperture glare, anodized matte black or matte white finish. Standard flat flange is painted white. Optional black flange available, add FF to catalog number.
- Ballast** - Electronic high power factor pulse start ballast featuring 0-10 volt dimming for 50 - 100%.
- Socket enclosure** - Extruded aluminum heat sink. RG218 pulse rated porcelain socket with extended nickel-plated copper screw shell and 200°C wire positions lamp at optical focal plane of reflector for maximum performance. Lamp included.
- Lamp (included)** - 90+ CRI, 20,000 hour life. Available in 3000K or 4200K. Rated for use in open fixtures.
- Junction box** - Extra large 43.75-cubic inch 16 gauge galvanized steel with snap-on covers. Approved for through wiring with up to 8 #12 AWG conductors.
- Thermal protection** - A thermal protection device which meets all U.L. and NEC requirements is standard.
- cUL Listed** - For use in wet locations in covered ceiling applications only; marked spacing required, and approved for through branch circuit wiring. I.B.E.V. union made.



10

Canadian Specifications may vary from these shown, consult Canadian Division.

CATALOG SYSTEM AND OPTIONS

EXAMPLE OF COMPLETE CATALOG NUMBER: OM10IH210T9CMHSPL-FL-208

OMEGA Apr:	Lamp Position	Lamp (included)	Reflector Type	Lens Type (required)	Frame Options	Lamp (required)	Supply Voltage
OM10 10" aperture	Horizontal	210 T9CMH	SPL Splay Lens (white) CSSPL Clear Specular Splay BBSPL Black Baffle Splay BKSPL Splay Lens (black)	FL Fresnel Lens PL Prismatic Lens CL Clear Lens	FZ208 208 volt fusing FZ240 240 volt fusing FZ277 277 volt fusing	LP930 3000K LP942 4200K	208 208 volt 240 240 volt 277 277 volt



FIVE YEAR
Warranty

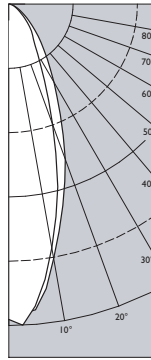
*0-10 volt dimming standard.

OMI01H210T9CMHCSSPLFL-LP930277

Fresnel Lens with Clear Specular Splay

Report number: 28374
 Lamp: (1)210WMH
 Fixture Efficiency: 67.4%
 S/MH Ratio (0 degree plane): 0.6
 (90 degree plane): 0.6
 Total Fixture Lumens: 15564
 IES file: 28374.IES
 Beam Angle: 38.43

LIGHTING PERFORMANCE DATA		
CEILING HEIGHT* (FT.)	INITIAL FOOTCANDLES	BEAM DIAMETER (FT.-IN.)
18	88.1	10-10
20	61.9	12-3
22	55.7	13-8
24	45.8	15-0
26	32.6	16-5



DEGREES	CANDELA		FOOT-LAMBERTS
	AT 0°	AT 90°	
90	9	19	
85	32	50	2710
75	197	245	4918
65	473	623	7469
55	906	1280	10976
45	1771	2474	17290
35	2884	4515	
25	5675	8181	
15	12706	14013	
5	20359	20604	
0	21176	21176	

COEFFICIENTS OF UTILIZATION ZONAL CAVITY METHOD

Effective Floor Cavity Reflectance 0.20

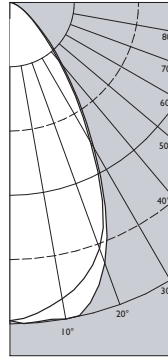
RC	80		70		50	
	50	30	50	30	50	30
RW	50	30	50	30	50	30
0	81	81	81	81	79	79
1	76	73	71	69	73	71
2	70	68	64	61	69	66
3	67	61	57	55	66	60
4	63	56	53	50	61	56
5	59	53	48	45	57	53
6	56	50	45	41	55	48
7	53	46	41	39	52	46
8	51	44	39	35	50	42
9	47	40	36	34	46	40
10	46	39	34	32	45	39

OMI01H210T9CMHCSSPLPL-LP930277

Prismatic Lens with Clear Specular Splay

Report number: 28726
 Lamp: (1)210WMH
 Fixture Efficiency: 64.8%
 S/MH Ratio (0 degree plane): 0.9
 (90 degree plane): 1.0
 Total Fixture Lumens: 14904
 IES file: 28726.IES
 Beam Angle: 60.97

LIGHTING PERFORMANCE DATA		
CEILING HEIGHT* (FT.)	INITIAL FOOTCANDLES	BEAM DIAMETER (FT.-IN.)
16	70.9	15-11
18	53.8	18-3
20	42.2	20-7
22	34.0	22-11
24	28.0	25-3



DEGREES	CANDELA		FOOT-LAMBERTS
	AT 0°	AT 90°	
90	0	0	
85	1	0	33
75	106	129	2615
65	413	425	5711
55	925	976	9545
45	2031	2291	17603
35	4640	4863	
25	8892	9170	
15	11608	12622	
5	12671	13014	
0	12925	12925	

COEFFICIENTS OF UTILIZATION ZONAL CAVITY METHOD

Effective Floor Cavity Reflectance 0.20

RC	80		70		50	
	50	30	50	30	50	30
RW	50	30	50	30	50	30
0	77	77	77	77	75	75
1	72	70	68	67	70	68
2	68	65	61	58	67	64
3	64	59	56	53	63	58
4	60	55	51	47	58	54
5	56	51	46	42	56	50
6	54	46	42	40	53	46
7	51	44	40	36	50	44
8	47	40	36	34	46	40
9	45	39	34	30	45	38
10	42	35	32	28	41	35

*Readings at working plane, 2'6" above floor: Beam Angle and Diameter Cutoff at 50% of max.
 Candpower Coefficients used at effective reflectances of: 70% Ceiling, 50% Walls, 20% Floor
 Additional photometric test files are available @ omegalighting.com

10