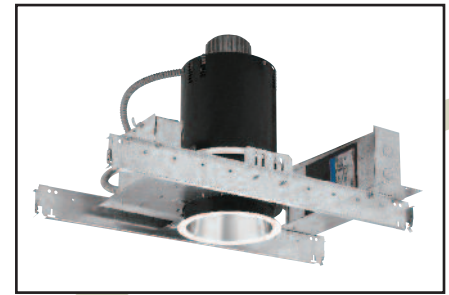


OM6315T9CMH

6" Vertical T9 CMH Open Downlights

CAT. NO:

TYPE: PROJECT:



PRODUCT INFORMATION

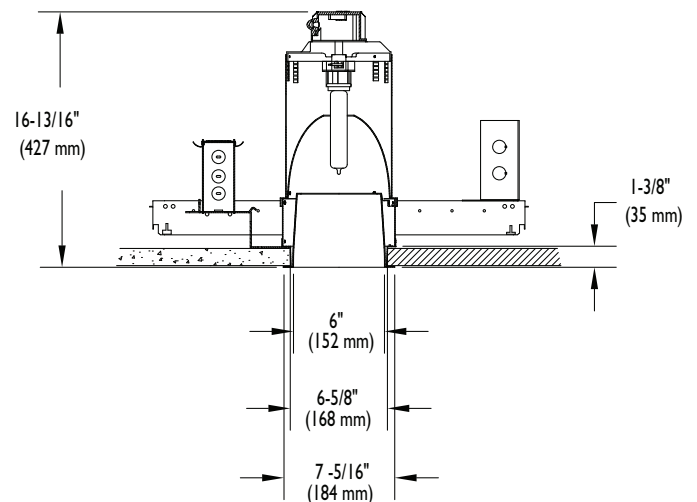
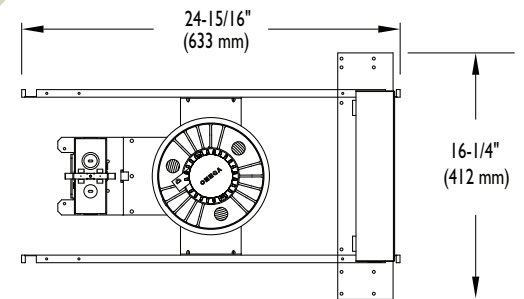
Applications

A metal halide downlight suitable for high ceiling heights requiring smooth, even distribution and high efficiency. Provides general lighting in auditoriums, schools, churches, hotels, banks or retail applications.

Specifications

- Mounting pan** - Precision die-formed 20 gauge galvanized steel mounting pan.
- Housing** - 20 gauge bonderized steel housing, baked-on matte black finish. Internal upper clear specular Alzak™ reflector engineered for precise optical control of beam distribution to ensure maximum performance. Three (3) trim retainer clips riveted to housing at 120° secure reflector to fixture.
- Ballast** - Electronic high power factor pulse start ballast. 200-277 Volt, 0-10V dimming. 50-100% standard.
- Installation** - Mounting pan has pre-installed C-channels with vertical and horizontal adjustments. Junction box and mounting brackets are accessible from below ceiling.
- Trim** - Precision spun .051 aluminum, self flanged with clear specular Alzak™ finish. Trim includes a lamp shatter guard of tempered safety glass. Standard is flat flange painted white. Optional polished flange matching finish available, add FF to catalog number.
- Baffle** - Precision machined .051 aluminum with deep grooves to eliminate aperture glare, anodized matte black or matte white finish. Baffle includes a lamp shatter guard of tempered safety glass. Standard flat flange is painted white. Optional black flange available, add FF to catalog number.
- Lamp (included)** - 90+ CRI, 20,000 hour life. Available in 3000K or 4200K. Rated for use in open fixtures.
- Socket enclosure** - Die cast aluminum heat sink, base porcelain socket with nickel-plated copper screw shell and 200°C Teflon® wire.
- Junction box** - Extra large 28-cubic inch 14 gauge galvanized steel with snap-on covers. Approved for through wiring with up to 8 #12 AWG conductors.
- Relamping** - Top and bottom relampable.
- Thermal protection** - A thermal protection device which meets all U.L. and NEC requirements is standard.
- U.L. Listed** - For use in damp locations, marked spacing required and approved for Through Branch Circuit Wiring. I.B.E.W. union made.

☛ Canadian Specifications may vary from these shown, consult Canadian Division.



6

CATALOG SYSTEM AND OPTIONS

EXAMPLE OF COMPLETE CATALOG NUMBER: OM6315T9CMHPTRCSLP930- 277

OMEGA Aprt.	Lamp (included)	Open Trim	Top Relamping	Reflector Finish	Frame Options	Lamp Type (included)	Supply Voltage
OM6 6" aperture	315 T9CMH 210 T9CMH	P protected lamp BLANK enclosed rated lamp	TR TR top relamp	BB Black Baffle CS Clear Specular CSS Clear Semi-Specular HZ Haze GS Gold Specular WT Wheat PW Pewter FF Finish Flange (As suffix to color)	FZ208 208 volt fusing FZ240 240 volt fusing FZ277 277 volt fusing	LP930 3000K LP942 4200K	208 208V 240 240V 277 277V



FIVE YEAR
Warranty

*0-10 volt dimming standard.
** Open and enclosed rated lamps available.



PHILIPS OMEGA
776 South Green St., Tupelo, MS 38804
Phone 662.842.7212 FAX 662.841.5501

PHILIPS DAY-BRITE CANADA
189 Bullock Drive, Markham, Ontario, Canada L3P 1W4
Phone 905.294.9570 FAX 800.268.0003

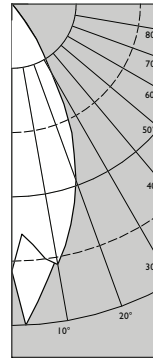
OM6315T9CMHTR-CS-LP930-277

Clear Specular Reflector

Report number: 28706-1P
 Lamp: (1)315WMH
 Fixture Efficiency: 63.1%
 S/MH Ratio (0 degree plane): 0.8
 (90 degree plane): 0.8
 Total Fixture Lumens: 23806
 IES file: 28706PIES
 Beam Angle: 50.27

LIGHTING PERFORMANCE DATA		
CEILING HEIGHT* (FT.)	INITIAL FOOTCANDLES	BEAM DIAMETER (FT.-IN.)
20	121	16-5
22	97.5	18-3
24	80.2	20-2
26	67.1	22-0
28	57.0	23-11

DISTRIBUTION CURVE



DEGREES	CANDELA		FOOT-LAMBERTS
	AT 0°	AT 90°	
90	3	1	
85	2	4	551
75	8	14	680
65	30	37	1268
55	66	93	2218
45	227	241	5295
35	5981	5894	
25	19716	17900	
15	31658	31022	
5	33508	41460	
0	37074	37074	

COEFFICIENTS OF UTILIZATION ZONAL CAVITY METHOD

Effective Floor Cavity Reflectance 0.20

RC	Effective Floor Cavity Reflectance 0.20					
	80		70		50	
RW	50	30	50	30	50	30
0	75	75	75	75	72	72
1	71	69	68	68	69	68
2	68	66	64	61	67	65
3	66	61	58	56	65	60
4	63	58	55	53	61	57
5	59	55	52	50	58	55
6	57	53	48	46	56	52
7	55	50	46	44	54	48
8	53	46	44	41	52	46
9	51	45	41	40	50	45
10	48	42	40	38	47	42

6

*Readings at working plane, 2'6" above floor: Beam Angle and Diameter Cutoff at 50% of max. Candlepwer Coefficients used at effective reflectances of: 70% Ceiling, 50% Walls, 20% Floor

To convert values for optional reflector colors, multiply by:
 Gold .90 Bronze .82 Pewter .87

Additional photometric test files are available @ omegalighting.com



PHILIPS OMEGA
 776 South Green St., Tupelo, MS 38804
 Phone 662.842.7212 FAX 662.841.5501

PHILIPS DAY-BRITE CANADA
 189 Bullock Drive, Markham, Ontario, Canada L3P 1W4
 Phone 905.294.9570 FAX 800.268.0003