

Architectural Downlighting

OM6LED 1500 6" LED

1400-1750 Lumen Downlight



application

- Philips Omega Revelation LED combines MesoOptics® diffusion with the proprietary remote phosphor technology to produce one of the most efficient and advanced LED systems available for general illumination.

light engine

- Philips Omega mixing chamber/optical assembly: Remote phosphor technology provides increased efficiency and color stability by redirecting back reflected light. Phosphor lens assembly converts high brightness blue light into white light for an even, diffused pattern, eliminating bright spots often created by individual LEDs. This technology provides consistent, stable color with CCT color control of +/- 100K over the life of the light engine and provides 20% higher efficiency.
- LED Array: The LED Array consists of a metal core circuit board with 22 high brightness royal blue LEDs.
- Color: Available in three CCT options, 3000K, 3500K or 4000K with 80CRI +/-2%.
- Electrical: The power supply/driver features Advance Intelli-volt 120-277VAC 50/60Hz, with 0-10V analog dimming capability. The power supply is overload and short circuit protected as well as thermally regulated to prevent overheating. Sound rating A. Refer to dimming compatibility spec sheet for complete details. Driver has rated lifetime of 50,000 hours.
- Lifetime/Lumen Maintenance: 60,000 hour lifetime at 70% lumen maintenance light engine.

construction

- Thermal Management: A proprietary die-cast aluminum heat sink allows for easy and tool-less installation to the housing yoke. The heat sink is designed to properly maintain junction temperatures in recessed Non-IC applications to provide reliable performance over the life of the light engine. The heat sink incorporates alignment tabs to properly position the heat sink with the housing and rust resistant springs to secure the heat sink and reflector.

- Housing: Precision die stamped 18ga galvanized steel mounting pan and yoke assembly. Allows for ceiling thickness up to 1-3/8". Yoke supports weight of heat sink and light engine assembly to prevent stress on finished reflector.
- Reflector: The lower trim is die-formed of 0.40 low iridescent aluminum and is self-flanged with a variety of finishes available. White flange is standard. Optional polished flange matching trim finish is available, add FF to the catalog number.
- C Channels: Philips Omega Revelation C-Channels are included and provide vertical and horizontal adjustments. These allow for fast and adjustment free installation in T-bar ceilings with 1/2" tile. C-Channels simply snap on grid for proper alignment in 24" O.C. grid systems.
- Junction Box: 16 ga galvanized steel. UL listed for 8 No. 12 AWG, 90C through branch circuit conductors. Allows inspection below ceiling.
- Service: Modular construction allows for easy maintenance of complete system below ceiling. Removing reflector provides easy access to heat sink and light engine assembly. This assembly may be removed by de-pressing the springs which attach to the yoke and then simply opening protective cover and unplugging the push in connector from the LED board.

listings & warranty

- ETL, cUL Listed. (Suitable for wet location applications.)
- Photometric testing performed using IESNA - LM79 procedures. LED lifetime testing performed using IESNA - LM80 procedures.
- 5 year Warranty

Specifier's Reference

Project

Type

Model No.

Comments

Green Choice: OM6LED27120-R6LED30KMDCS

HOUSING

LIGHT ENGINE - REFLECTOR

OM6LED

27

Family

OM6LED
6 inch Housing

Voltage

120 – 120 VAC
50/60Hz
277 – 277 VAC
50/60Hz
347 – Stepdown
(347:120/277)

Wattage

27 – 27 Input Watts

Option

EM – Bodine BSL17C
Emergency Back-up¹

R6LED

Omega Reflector

R6LED – 6" Reflector

Distribution

MD – Medium
WD – Wide

CCT

30K – 3000K
35K – 3500K
40K – 4000K

Reflector Finish

CS – Clear Specular
CSS – Clear Semi-Specular
HZ – Haze
GS – Gold Specular
WT – Wheat
PW – Pewter
BZ – Bronze
WH – White, Paint
FF – Finish Flange
(as suffix to color)

Footnotes

1. Delivered lumen output ranges from 500-550lm.

General Notes

Lumen output varies depending on CCT and distribution, refer to specific IES files for details

Accessories (ordered separately)

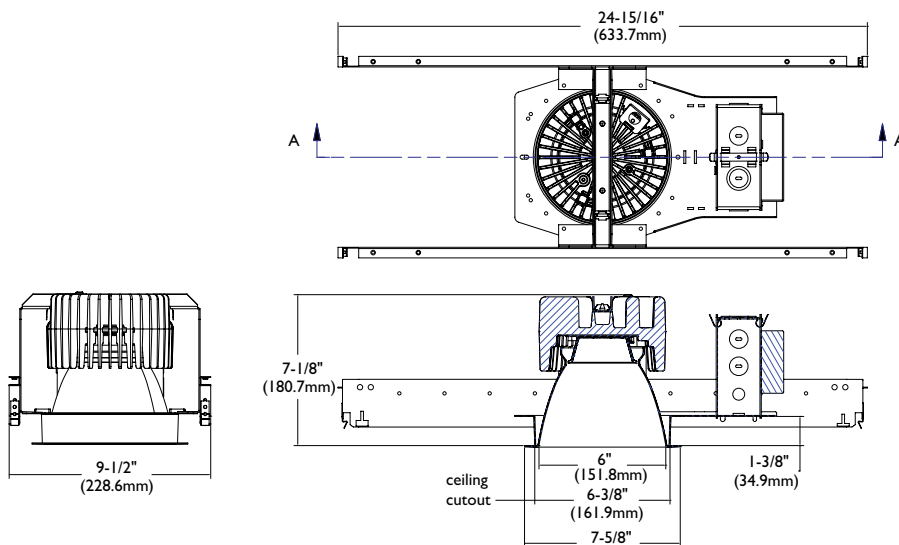
SA6 - Slope ceiling adapter (specify in 5° increments up to 30°)

OMTCA6 - Thick ceiling adapter
(specify finish to match reflector, ie. CS)

energy data

Input Voltage	Input Current	Drive Current	Input Power	LED Power	THD %	Power Factor
120	0.25	350mA	27	23.1	<10%	>0.9
277	0.11	350mA	27	23.1	<10%	>0.9

dimensions



OM6LED27120-R6LED35KMDCS

Tested to LM-79 standards.

Clear Specular Reflector Test No. 19271 S/MH (0 degree plane) .84 Lamp Type (1) 22 Royal Blue LEDs Total Fixture Lumens 1522 IES File LTL19271 Input Watts 27 Beam Angle 59.31 Luminaire Efficacy 56.6 LPW		Candela				Lighting Performance Data			
		Degrees	At 0°	At 90°	Foot Lamberts	Ceiling Height (feet)	Initial Footcandles	Beam Diameter (Ft/In)	
		90	0	0	0	8	56.2	6 - 3	
		85	0	0	0	10	30.2	8 - 6	
		75	0	0	0	12	18.8	10 - 10	
		65	1	1	38	14	12.9	13 - 1	
		55	2	2	56	16	9.3	15 - 4	
		45	56	56	1267				
		35	377	377					
		25	1432	1432					
	15	1589	1589						
	5	1677	1677						
	0	1701	1701						

OM6LED27120-R6LED35KWDCS

Tested to LM-79 standards.

Clear Specular Reflector Test No. 19275 S/MH (0 degree plane) 1.2 Lamp Type (1) 22 Royal Blue LEDs Total Fixture Lumens 1731 IES File LTL19275 Input Watts 27 Beam Angle 82.84 Luminaire Efficacy 64.7 LPW		Candela				Lighting Performance Data			
		Degrees	At 0°	At 90°	Foot Lamberts	Ceiling Height (feet)	Initial Footcandles	Beam Diameter (Ft/In)	
		90	0	0	0	8	35.9	9 - 7	
		85	0	0	0	10	19.3	13 - 1	
		75	1	1	62	12	12.0	16 - 7	
		65	2	2	76	14	8.2	20 - 1	
		55	6	6	167	16	6.0	23 - 7	
		45	223	223	5046				
		35	900	900					
		25	1159	1159					
	15	1173	1173						
	5	1087	1087						
	0	1087	1087						



©2011 Philips Omega
 All rights reserved.
 776 South Green Street • Tupelo, MS 38804
 p. 800.234.1890 • f. 662.841.5501
 www.omegalighting.com
 Canadian Division
 189 Bullock Drive • Markham, Ontario L3P 1W4
 p. 905.294.9570 • f. 905.294.9811

Contact Factory for Additional Configurations.

Specifications are subject to change without notice.

Some luminaires use fluorescent or high intensity discharge (HID) lamps that contain small amounts of mercury. Such lamps are labeled, "Contain Mercury" and/or the symbol "HG". Lamps that contain mercury must be disposed of in accordance with local requirements. Information regarding lamp recycling and disposal can be found at www.lamprecycle.org

