

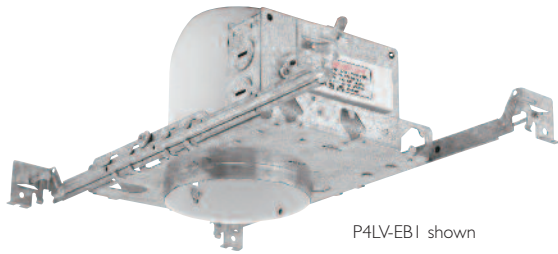
P4LV/P4LV-EB I

4" Miniature 120V Non-IC Recessed Downlight - Low Voltage

Catalog Number: _____

Type: _____

Project: _____



P4LV-EB I shown

Description

Thermally protected small 4" aperture low voltage recessed housing for use with up to 50 watt MR16 lamp in new constructions. Fixture is furnished with preinstalled BH2 adjustable bar hangers. c/ETL Listed for through branch wiring and damp location.

Features

- Magnetic or electronic 120V transformer ensures properly controlled voltage to lamp maximizing lamp life.
- Non-IC Applications.
- Thermal protection standard.
- Provided with BH2 bar hangers.
- MR16 50 watt maximum.
- c/ETL listed for damp locations and through branch circuit wiring.

CATALOG SYSTEM AND OPTIONS

SAMPLE CATALOG NUMBER: P4LV-P4LB

HOUSING TRIMS (choose only one)

P4LV
(120V magnetic ballast)

P4LV-EB I
(120V electronic ballast)

P4LBWV White Baffle
w/White Flange

P4LB Black Baffle
w/Black Flange

P4LRC Clear Reflector
w/White Flange

P4LRW White Reflector
w/White Flange

P4LRB Black Reflector
w/White Flange

P4LEW White Eyeball
w/White Flange

P4LEB Black Eyeball
w/Black Flange

P4LBWVW Wall Wash, White
Baffle w/White Scoop

P4LWC Wall Wash, Clear
Reflector w/White Scoop

P4LPC Pinhole, Clear Reflector
w/White Flange

P4LWWR Retractable Wall Wash
w/White Flange

P4LSW Slot w/White Flange

General Notes:

See Trims on reverse side of the sheet for lamp compatibility. Custom finishes are available in select trims; please consult factory for further details.

SPECIFICATIONS

- Housing** - Deep drawn, 20 gauge, single piece housing. Adjusts vertically in frame to accommodate ceiling thickness from 1/2" to 1" thick. Ceiling opening 4-1/4". Accommodates MR16 lamp up to 50 watts, 12 volt lamps. Fits 2 X 6 joist construction.
- Plaster Frame**- Die-stamped 20 gauge galvanized steel.
- Socket**- Porcelain body GU5-3 Base. Pre-wired with 18 gauge teflon 250 degree leads to junction box.
- Transformer**- Class H magnetic transformer attached to end of junction box. Electronic transformers ensures properly controlled voltage to lamps maximizing lamp life. Transformer can be removed from below ceiling, 120V only.
- Bar Hangers** - Pre-installed BH2 bar hangers telescope from 10" to 24". Bar hangers are equipped with heavy duty fluted nails. Interlocking support tabs provide smooth adjustment of bar hanger. Interlocking support tabs provide smooth adjustment of bar hanger. Integral notch for installation on T-grid ceilings.

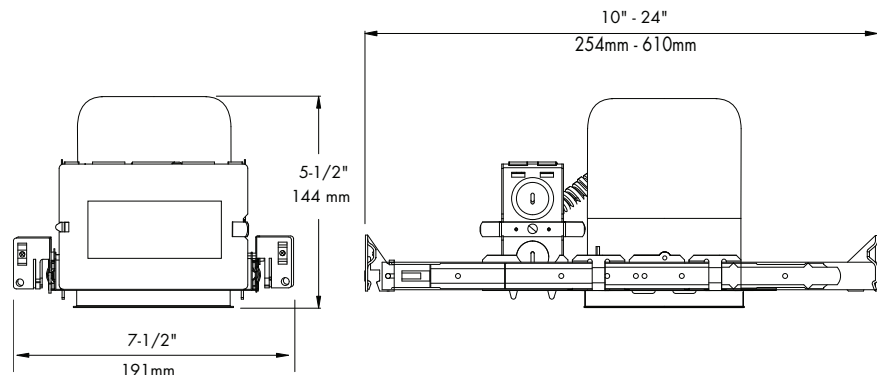
6. Junction Box - Large 18 gauge galvanized steel with one snap-on cover and grounding pig-tail. Knock-outs for 1/2" and 3/4" conduit. Integral cable clamp permits attachment of non-metallic Romex without the need of additional connectors. Meets all safety requirements of ETL and N.E.C.

7. Thermal Protection - Standard thermal protection device inside housing automatically takes the fixture out of service if temperature becomes excessive from overlamping or using the wrong lamp /trim combination.

8. c/ETL Listed - Certified for a maximum of 6 No.14 ga. 90 degree C through branch wiring conductors. Meets all safety requirements of U.L. and N.E.C.

9. Trims - Spun and stamped steel is powder coated in a variety of colors. Features three spring steel friction fit clips for secure hold within housing. Available in a wide variety of styles; clear lens included.

DIMENSIONS



REV. 02/10



P4LBW
White Baffle w/white flange
5" O.D. (127 mm)
45° Tilt

Lamp	IC	Non-IC
MR16		50W



P4LB
Black baffle w/black flange
5" O.D. (127 mm)
45° Tilt

Lamp	IC	Non-IC
MR16		50W



P4LRC (Shown)
Clear reflector w/white flange

P4LRW
White reflector w/white flange
5" O.D. (127 mm)
45° Tilt

Lamp	IC	Non-IC
MR16		50W



P4LRB
Black reflector w/white flange
5" O.D. (127 mm)
45° Tilt

Lamp	IC	Non-IC
MR16		50W



P4LEW
White Baffle w/White Flange
5" O.D. (127 mm)
30° Tilt

Lamp	IC	Non-IC
MR16		50W



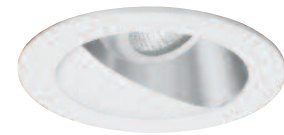
P4LEB
Black baffle w/black flange
5" O.D. (127 mm)
30° Tilt

Lamp	IC	Non-IC
MR16		50W



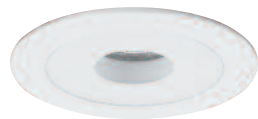
P4LBWW
Wall wash, white baffle w/white scoop
5" O.D. (127 mm)
45° Tilt

Lamp	IC	Non-IC
MR16		35W



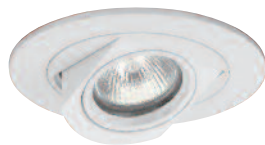
P4LWC
Wall wash, clear reflector w/white scoop
5" O.D. (127 mm)
45° Tilt

Lamp	IC	Non-IC
MR16		35W



P4LPC
Pinhole, clear reflector with white flange
5" O.D. (127 mm)

Lamp	IC	Non-IC
MR16		50W



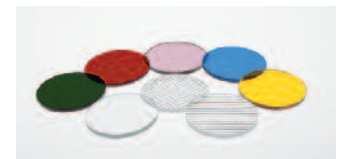
P4LWWR
Retractable wall wash, w/white flange
5" O.D. (127 mm)
75° Tilt

Lamp	IC	Non-IC
MR16		35W



P4LSW
Slot, white flange
5" O.D. (127 mm)
45° Tilt

Lamp	IC	Non-IC
MR16		35W



2" COLOR FILTERS FOR MR16

CF1	Clear Lens
CF2	Spread Lens
CF3	Medium Blue Filter
CF4	Medium Red Filter
CF5	Medium Green Filter
CF7	Yellow Filter
CF8	Pink Filter
CF9	Linear Spread
CF10	UV Filter
CF11	Frosted Lens
CF12	Medium Amber Filter
CL0	2" Honeycomb Louver (requires lensed MR16 lamp)
LCL0	2" Louver and Snoot

General Notes:

Custom finishes are available in select trims; please consult factory for further details

Philips Capri reserves the right to make changes without notice. ©2010