

CFRIC4VI3/NE1NB

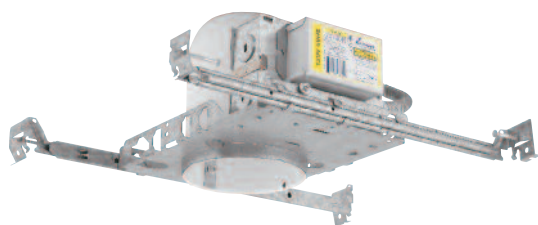
4" IC/Non-IC Rated Downlight

New Construction

Catalog Number: _____

Type: _____

Project: _____



Description

Downlight for long-life, energy efficient compact fluorescent lamps. Provides a broad, uniform light distribution with excellent color rendition. Ideal for areas that require long hours of continuous operation.

Features

- AirSeal™ housing.
- For use in insulated ceiling application.
- Specular reflectors for excellent light output.
- Grooved baffle reduces glare at aperture.
- Die-stamped plaster frame.
- c/ETL listed for damp locations and through branch circuit wiring.



CATALOG SYSTEM AND OPTIONS

SAMPLE CATALOG NUMBER: CFRIC4VI3NE1NB-R436

HOUSING	BALLAST	SOCKET	TRIMS (choose one)	
CFRIC4VI3	NE1	NB	-	
CFRIC4VI3 CFM13/GX24Q (electronic)	NE1 120 Volt Electronic Normal Power Factor Ballast	NB No Bracket	P4BW White Baffle, white flange P4B Black Baffle, white flange P4RC Clear reflector; white flange P4RG Gold reflector; white flange P4RB Black reflector; white flange P4RW White reflector; white flange P4VWV Wall wash, white baffle, white scoop	P4VWB Wall wash, black baffle, white scoop P4S Drop shower light, white flange, wet location listed P4F Fresnel lens, white flange, wet location listed R436 Shower trim, wet location listed

General Notes:

Lamp compatibility is noted under housings.
Energy Star and Title 24 compliant.

SPECIFICATIONS

1. **Ballast** - NE1 electronic normal power factor ballast operates four pin GX24q compact fluorescent lamps over 45khz. Ballast meets EPA Energy Star registered luminaire requirements. Ballast meets FCC Part 18 on consumer limits on EMI/RFI. Minimum starting temperature of 0 degrees fahrenheit. Ballast features auto shutdown at end of lamp life.

2. **Bar Hangers**- Pre-installed BH2 pre-nailed bar hangers telescope from 10" to 24". Vertical design of interlocking bar hangers prevents sagging even at full 24" extension. Includes built in grid clips for attachment to NEMA G ceilings.

3. **Plaster Frame** - Die-stamped 22 gauge galvanized steel. Mounting frame accommodates ceiling materials up to 1/2" to 1" thick.

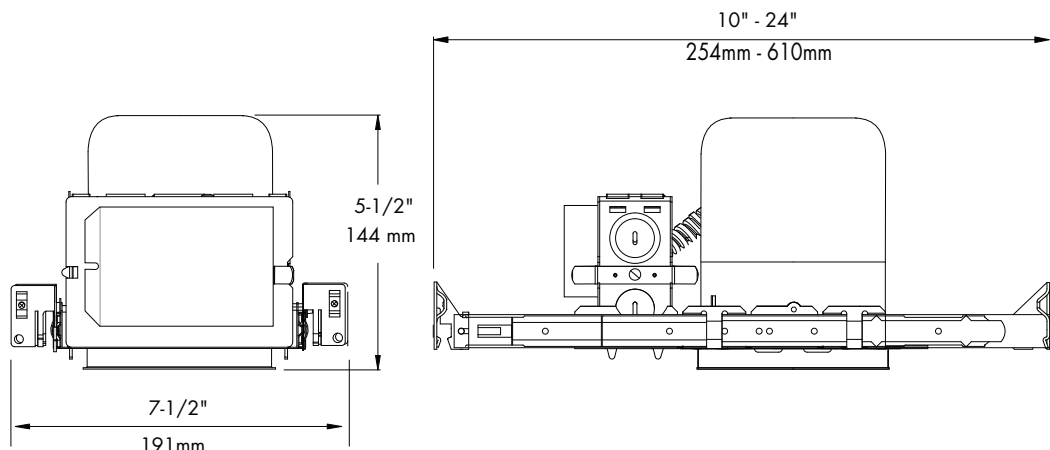
4. **Trims** - Spun and stamped steel is powder coated in a variety of colors. Features three spring steel friction fit clips for secure hold within housing. Available in a wide variety of styles; clear lens included.

6. **Socket** - One vertically mounted plastic, 4-pin GX24q compact fluorescent socket allows lamp to seat snugly and position it for optimal photometric performance.

7. **Junction Box** - Extra large 27 cubic inch .063" galvanized steel with snap on cover and ground wire riveted to frame. Approved for through branch circuit wiring with up to 8 #12 AWG conductors.

8. **c/ETL listed** - for damp locations.

DIMENSIONS



REV. 02/10



PHILIPS CAPRI
776 South Green St., Tupelo, MS 38804
Phone 662.842.7212 FAX 662.841.5501
www.caprilighting.com

PHILIPS DAYBRITE CANADA:
189 Bullock Drive, Markham, Ontario, Canada L3P 1W4
Phone 905.294.9570 FAX 800.268.0003
www.day-britecanada.com

CP2-3



P4BW (Shown)
White Baffle w/white flange

P4B
Black baffle w/white flange
5" O.D. (127 mm)

Lamp	IC	Non-IC
CFRIC4V13NE1NB		
CFL Triple Tube	13W	13W



P4RC (Shown)
Clear reflector w/white flange

P4RG
Gold reflector w/white flange
5" O.D. (127 mm)

Lamp	IC	Non-IC
CFRIC4V13NE1NB		
CFL Triple Tube	13W	13W



P4RB (Shown)
Black reflector w/white flange

P4RW
White reflector w/white flange
5" O.D. (127 mm)

Lamp	IC	Non-IC
CFRIC4V13NE1NB		
CFL Triple Tube	13W	13W



P4WW (Shown)
Wall wash, white baffle w/white scoop

P4WB
Wall wash, black baffle w/white scoop
5" O.D. (127 mm)

Lamp	IC	Non-IC
CFRIC4V13NE1NB		
CFL Triple Tube	13W	13W



P4S
Drop Shower Light w/white flange
Wet Location Listed

5" O.D. (127 mm)

Lamp	IC	Non-IC
CFRIC4V13NE1NB		
CFL Triple Tube	13W	13W



P4F
Fresnel Lens. Wet Location Listed

5" O.D. (127 mm)

Lamp	IC	Non-IC
CFRIC4V13NE1NB		
CFL Triple Tube	13W	13W



R436
Shower Trim. Wet Location Listed

5" O.D. (127 mm)

Lamp	IC	Non-IC
CFRIC4V13NE1NB		
CFL Triple Tube	13W	13W

OPERATING CHARACTERISTICS

LAMP	LINE AMPS	INPUT WATTS	POWER FACTOR	MIN. START TEMP.	
CFRIC4V13NE1-120V	CFM18W/GX24Q	0.34	22	>50%	0F

LUMINAIRE WATTAGE CONSUMPTION COMPARISON

