

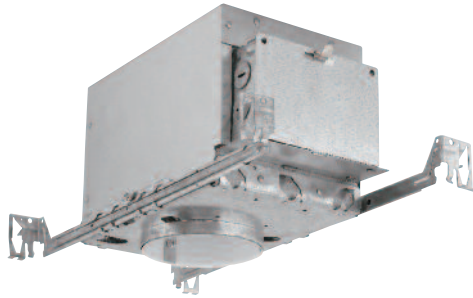
P4ASIC

4" Miniature AirSeal™ IC Rated
Incandescent Recessed Downlight

Catalog Number: _____

Type: _____

Project: _____



Description

For new construction. Thermally protected recessed housing. Fixture is c/ETL Listed for through-branch circuit wiring and damp location use.

Features

- Compact size permits installation with 2X6 joist construction and as close as 12" on center.
- 50 watt maximum.
- Wide variety of trims.
- Thermal protection standard.
- Pre-installed BH2 barhangers.
- c/ETL listed for damp locations and through branch circuit wiring.
- AirSeal™ rated.
- IC rated for use in direct contact with thermal insulation.

CATALOG SYSTEM AND OPTIONS

SAMPLE CATALOG NUMBER: P4ASIC-P4BW

HOUSING	TRIMS (choose only one)
P4ASIC -	
	P4BW White Baffle, white flange
	P4B Black Baffle, white flange
	P4RC Clear reflector; white flange
	P4RG Gold reflector; white flange
	P4RB Black reflector; white flange
	P4RW White reflector; white flange
	P4WWW Wall wash, white baffle, white scoop
	P4WB Wall wash, black baffle, white scoop
	P4F Fresnel lens, white flange, wet location listed



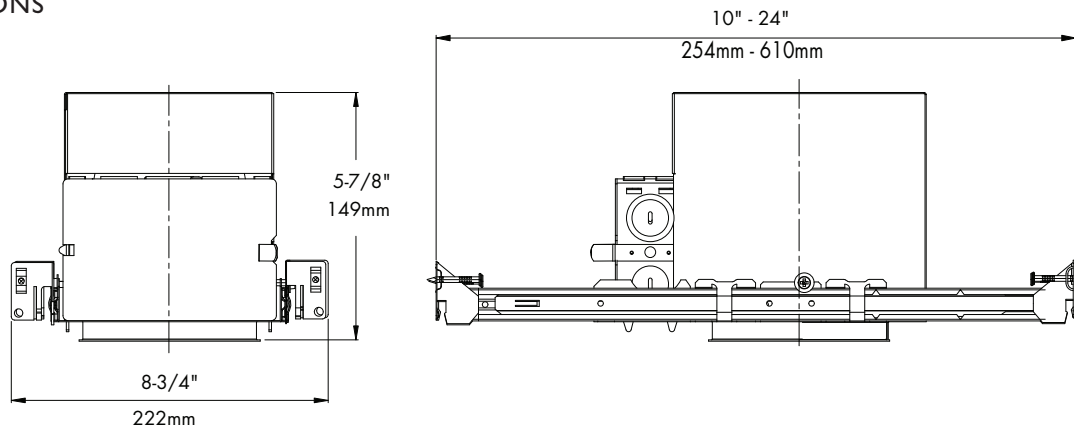
General Notes:

See Trims on reverse side of the sheet for lamp compatibility.

SPECIFICATIONS

- Outer Housing** - Die-formed all-aluminum construction. For use in direct contact with thermal insulation. For use in 2"X6" joist construction. Plaster frame is stamped 22 gauge galvanized steel.
- Inner Housing** - Deep drawn 22 gauge steel single piece housing painted white. Adjusts vertically in frame to accommodate ceiling thickness up to 1-3/8" thick. Ceiling opening 4-1/4". Accommodates lamp up to 50 watts depending on trim used. Plaster Frame is stamped 22 gauge galvanized steel.
- Socket**- Medium base screw shell porcelain socket attached to adjustable socket supporting bracket.
- Bar Hangers** - Pre-installed BH2 pre-nailed bar hangers telescope from 10 to 24 inches. Bar hangers are equipped with heavy duty fluted nails. Interlocking support tabs provide smooth adjustment of bar hanger. Integral grid clips for NEMA G ceilings.
- Junction Box** - Large 27 cu inch, 18 gauge galvanized steel with two snap-on covers and grounding pigtail. Knock-outs for 1/2" and 3/4" conduit. Includes 4 Romex pryouts with strain relief. Meets all safety requirements of c/ETL and N.E.C.
- Thermal Protection** - Standard thermal protection device inside housing automatically takes the fixture out of service if temperature becomes excessive from over lamping or wrong lamp/trim combination.
- C/ETL Listed** - for damp locations and through-branch wiring, 3 in/3 out.
- Trims** - Spun and stamped steel is powder coated in a variety of colors. Features three spring steel, friction fit clips for a secure hold within the housing.

DIMENSIONS



REV. 09/11

4" AIRSEAL IC RATED MINIATURE TRIMS - NEW CONSTRUCTION



P4BW (Shown)
White Baffle w/white flange

P4B
Black baffle w/white flange
5" O.D. (127 mm)

Lamp	IC	Non-IC
R20	35W	35W
PAR20	35W	35W



P4RC (Shown)
Clear reflector w/white flange

P4RG
Gold reflector w/white flange
5" O.D. (127 mm)

Lamp	IC	Non-IC
R20	50W	50W
PAR20	50W	50W



P4RB (Shown)
Black reflector w/white flange

P4RW
White reflector w/white flange
5" O.D. (127 mm)

Lamp	IC	Non-IC
R20	50W	50W
PAR20	50W	50W



P4VWW (Shown)
Wall wash, white baffle w/white scoop

P4VWB
Wall wash, black baffle w/white scoop
5" O.D. (127 mm)

Lamp	IC	Non-IC
R20	50W	50W
PAR20	50W	50W



P4GW
White Adjustable Gimbal

P4GB
Black Adjustable Gimbal
4-7/8" O.D. (124 mm)

Lamp	IC	Non-IC
R20	35W	35W
PAR20	35W	35W



P4EW (Shown)
White Eyeball

P4EB
Black Eyeball
5" O.D. (127 mm)

Lamp	IC	Non-IC
R20	50W	50W
PAR20	50W	50W



P4F
Fresnel Lens. Wet Location Listed
5" O.D. (127 mm)

Lamp	IC	Non-IC
R20	35W	35W
PAR20	35W	35W

Philips Capri reserves the right to make changes without notice.©2010