

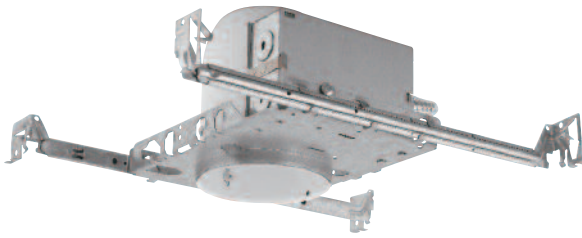
# P4

## 4" Miniature Recessed Non-IC Downlight - Incandescent

Catalog Number: \_\_\_\_\_

Type: \_\_\_\_\_

Project: \_\_\_\_\_



### Description

For new construction. Thermally protected recessed housing. Furnished with pre-installed BH2 adjustable bar hangers. Fixture is c/ETL Listed for through-branch circuit wiring and damp location use.

### Features

- Compact size permits installation with 2X6 joist construction and as close as 12" on center.
- 50 watt maximum.
- Socket pre-installed in housing.
- Wide variety of trims.
- Thermal protection standard.
- Pre-installed BH2 barhangers.
- c/ETL listed for damp locations and through branch circuit wiring.
- Non - IC

## CATALOG SYSTEM AND OPTIONS

SAMPLE CATALOG NUMBER: P4-P4BW

### HOUSING

P4

### TRIMS (choose only one)

- P4BW White Baffle, white flange
- P4B Black Baffle, white flange
- P4RC Clear reflector; white flange
- P4RG Gold reflector; white flange
- P4RB Black reflector; white flange
- P4RW White reflector; white flange
- P4WW Wall wash, white baffle, white scoop

### P4WB

Wall wash, black baffle, white scoop

### P4F

Fresnel lens, white flange, wet location listed

### General Notes:

See Trims on reverse side of the sheet for lamp compatibility.

## SPECIFICATIONS

- Housing** - Deep drawn 22 gauge steel single piece housing painted white. Adjusts vertically in frame to accommodate ceiling thickness up to 1-3/8" thick. Ceiling opening 4-1/4". Accommodates lamp up to 50 watts depending on trim used. Plaster frame is stamped 22 gauge galvanized steel.
- Socket** - Medium base screw shell porcelain socket attached to adjustable socket supporting bracket.
- Bar Hangers** - Pre-installed BH2 pre-nailed bar hangers telescope from 10 to 24 inches. Bar hangers are equipped with heavy duty fluted nails. Interlocking support tabs provide smooth adjustment of bar hanger. Integral grid clips for NEMA G ceilings.

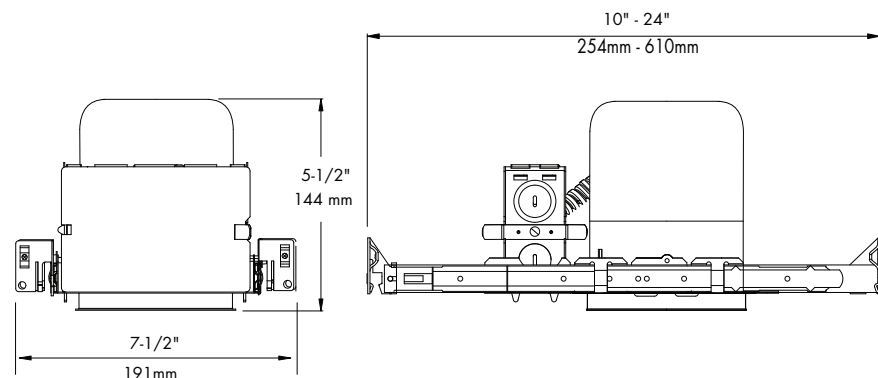
4. **Junction Box** - Large 27 inch, 18 gauge galvanized steel with two snap-on covers and grounding pigtail. Knock-outs for 1/2" and 3/4" conduit. Includes 4 Romex pryouts with strain relief. Meets all safety requirements of c/ETL and N.E.C.

5. **Thermal Protection** - Standard thermal protection device inside housing automatically takes the fixture out of service if temperature becomes excessive from over lamping or using the wrong lamp/trim combination.

6. **c/ETL Listed** - for damp locations and through-branch wiring, 4 in/4 out.

7. **Trims** - Spun and stamped steel is powder coated in a variety of colors. Features three spring steel friction fit clips for secure hold within housing. Available in a wide variety of styles.

## DIMENSIONS



REV. 09/11



**P4BW** (Shown)  
White Baffle w/white flange

**P4B**  
Black baffle w/white flange  
5" O.D. (127 mm)

Lamp	Non-IC Only
R20	50W
PAR20	50W



**P4RC** (Shown)  
Clear reflector w/white flange

**P4RG**  
Gold reflector w/white flange  
5" O.D. (127 mm)

Lamp	Non-IC Only
R20	50W
PAR20	50W



**P4RB** (Shown)  
Black reflector w/white flange

**P4RW**  
White reflector w/white flange  
5" O.D. (127 mm)

Lamp	Non-IC Only
R20	50W
PAR20	50W



**P4VWV** (Shown)  
Wall wash, white baffle w/white scoop

**P4VVB**  
Wall wash, black baffle w/white scoop  
5" O.D. (127 mm)

Lamp	Non-IC Only
R20	50W
PAR20	50W



**P4GW**  
White Adjustable Gimbal

**P4GB**  
Black Adjustable Gimbal  
4-7/8" O.D. (124 mm)

Lamp	Non-IC Only
R20	50W
PAR20	50W



**P4EW** (Shown)  
White Eyeball

**P4EB**  
Black Eyeball  
5" O.D. (127 mm)

Lamp	Non-IC Only
R20	50W
PAR20	50W



**P4F**  
Fresnel Lens. Wet Location Listed

5" O.D. (127 mm)

Lamp	Non-IC Only
R20	50W
PAR20	50W

Philips Capri reserves the right to make changes without notice. ©2010