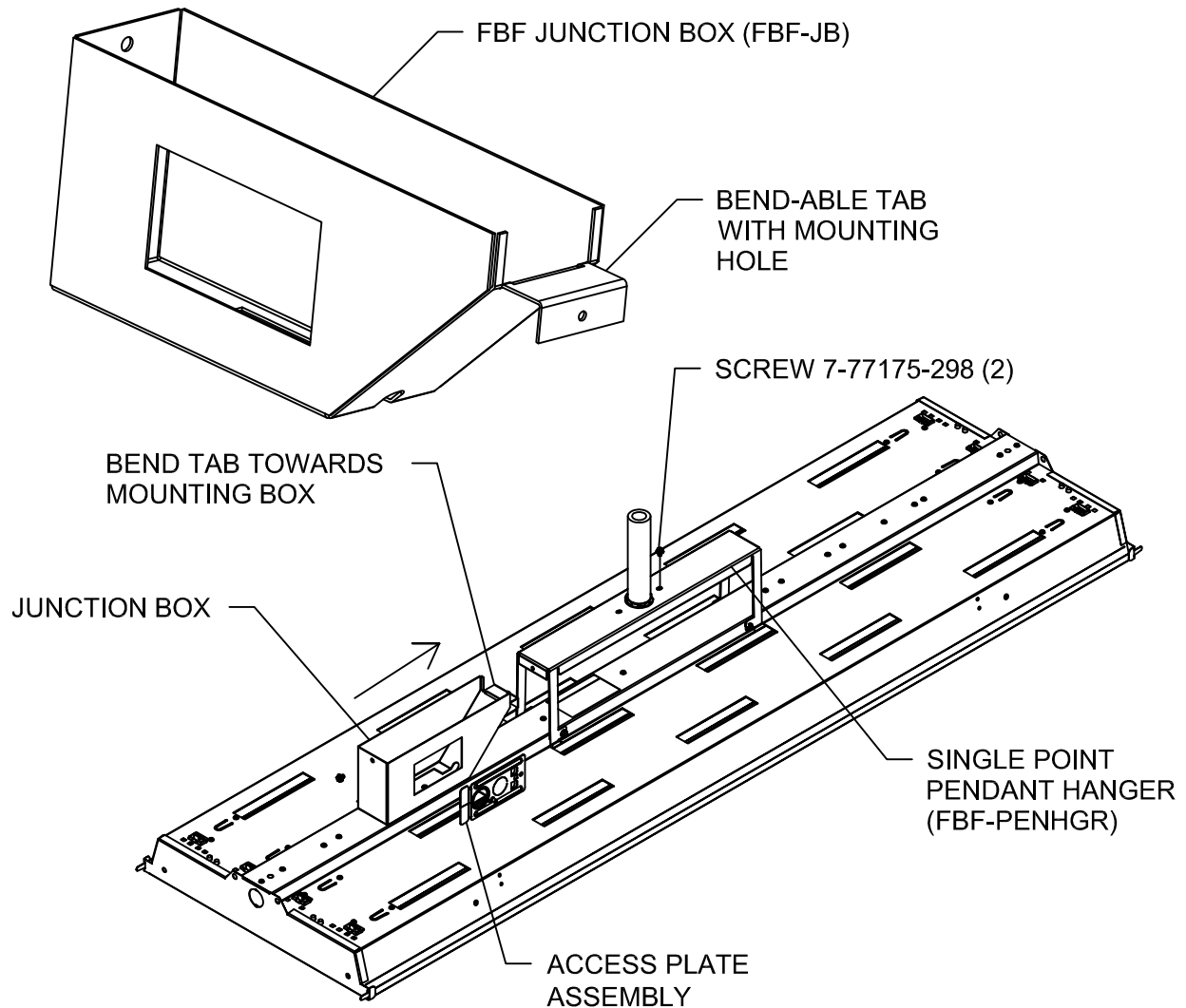


SUBJECT:
FBF JUNCTION BOX
(FBF-JB)

 **Day-Brite Lighting**
a Genlyte company
INSTRUCTION SHEET

CAUTION: THE INSTALLATION AND SERVICING OF THIS PRODUCT SHOULD BE PERFORMED BY A QUALIFIED ELECTRICIAN OR SERVICE PERSONNEL

CAUTION: This fixture is designed for permanent installation in ordinary (Non-Hazardous) locations in accordance with the National Electrical Code and all applicable local codes. Do not use in areas of limited ventilation or in high ambient enclosures. The lamp and fixture operate at high temperatures, contact with combustible materials can cause fire and personal contact can cause severe burns.



- 1.) REMOVE ACCESS PLATE FROM BACK OF FIXTURE. (DO NOT DISCARD)
- 2.) SLIDE THE JUNCTION BOX UNDER THE SINGLE POINT PENDANT HANGER AS SHOWN.
- 3.) ONCE IN PLACE, BEND TAB UP TOWARD SINGLE POINT PENDANT HANGER. WHEN TAB IS IN CORRECT POSITION, SECURE WITH SCREW.
- 4.) PLACE THE SECOND SCREW INTO THE OPPOSITE END OF THE JUNCTION BOX.
- 5.) MAKE WIRING CONNECTIONS INSIDE OF JUNCTION BOX.
- 6.) PLACE ACCESS PLATE (REMOVED FROM FIXTURE) INTO ACCESS HOLE IN JUNCTION BOX.