

SUBJECT:

# AA20E LOGISTIXPRO OPTICAL ASSEMBLY

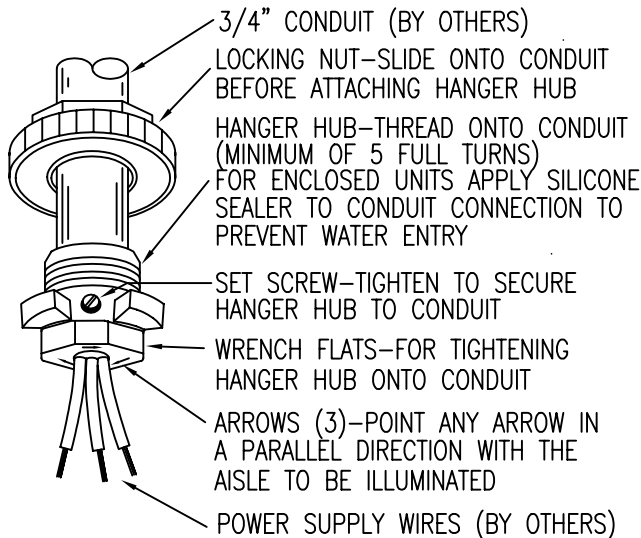


# INSTRUCTION SHEET

**WARNING:** ELECTRICAL SHOCK POTENTIAL !! DO NOT ATTEMPT TO INSTALL, MAINTAIN OR RELAMP WITHOUT DIS-CONNECTING ALL POWER. FAILURE TO DISCONNECT POWER CAN RESULT IN ELECTROCUTION, SHOCK OR SEVERE BURNS.

**CAUTION:** This fixture is designed for permanent installation in ordinary (Non-Hazardous) locations in accordance with the National Electrical Code and all applicable local codes. Do not use in areas of limited ventilation or in high ambient enclosures. The lamp and fixture operate at high temperatures, contact with combustible materials can cause fire and personal contact can cause severe burns.

## MOUNTING BALLAST HOUSING TO CONDUIT

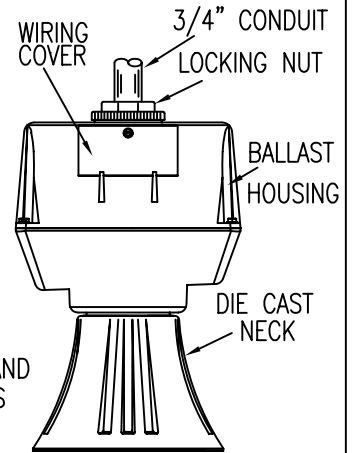


- 1) LIFT BALLAST HOUSING ONTO THE HANGER HUB AND ROTATE 60° UNTIL SEATED ON HUB
- NOTE: REFLECTOR MOUNTING YOKE MUST BE PARALLEL WITH AISLE
- 2) TURN LOCKING NUT (HAND TIGHT) ONTO HANGER HUB TO SECURE BALLAST HOUSING

**WARNING:** LOCKING NUT MUST ENGAGE THREADS ON HANGER HUB AND BE HAND TIGHTENED TO INSURE THAT FIXTURE IS PROPERLY SEATED ON HUB

**CAUTION:** THE LOCKING NUT IS PROVIDED WITH WRENCH FLATS TO BE USED ONLY IF NECESSARY TO REMOVE NUT

- 3) REMOVE WIRING COVER AND MAKE SUPPLY CONNECTIONS (USE 90°C SUPPLY WIRE) REPLACE WIRING COVER

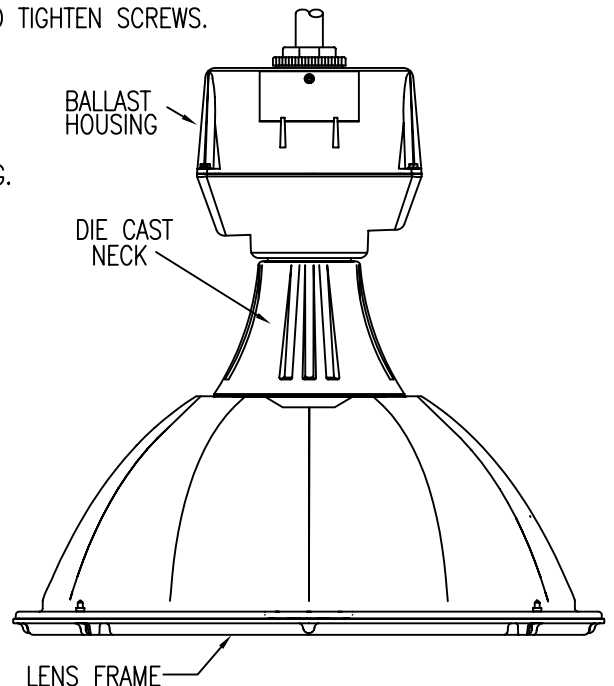
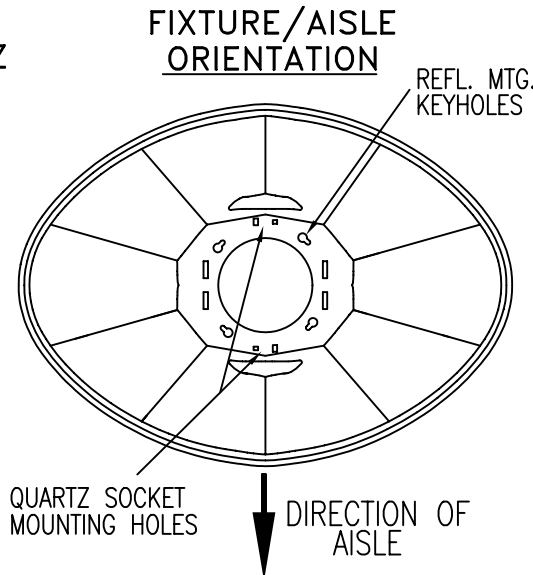


## REFLECTOR MOUNTING

- 1) PRIOR TO HANGING UNIT, LOCATE HID LAMP SOCKET TO DESIRED LIGHT DISTRIBUTION LOCATION BY REMOVING THE (2) #8 SCREWS AT SOCKET BRACKET. POSITION 1 WILL PRODUCE A NARROW BEAM LIGHT DISTRIBUTION. AS THE SOCKET IS LOWERED, THE BEAM LIGHT DISTRIBUTION WILL GRADUALLY BECOME WIDER WITH POSITION 6 BEING THE WIDEST POSITION. FOR PRECISE SETTINGS OF LIGHT DISTRIBUTION SEE CATALOG SPECIFICATION SHEET FOR INDIVIDUAL REFLECTOR AND LAMP.
- 2) LOOSEN, DO NOT REMOVE, THE (4) REFLECTOR MOUNTING SCREWS AT THE BOTTOM OF DIE CAST NECK.
- 3) OPEN THE LENS FRAME ASSEMBLY BY LOOSENING THE (2) #10 FLAT HEAD SCREWS, AND HINGE OPEN.
- 4) ATTACH REFLECTOR TO DIE CAST NECK AT (4) KEY-HOLE SLOTS AND TIGHTEN SCREWS.
- 5) CLOSE LENS AND TIGHTEN SCREWS.

## OPTIONAL QUARTZ MOUNTING

THE QUARTZ SOCKET IS EQUIPED WITH A SPRING STEEL BRACKET. AS THE REFLECTOR IS BEING INSTALLED, ROUTE SOCKET THRU CENTER HOLE OF REFLECTOR, AND SNAP QUARTZ SOCKET BRACKET INTO THE SMALL SQUARE HOLES IN REFLECTOR ON EITHER SIDE, BEFORE TIGHTENING SCREWS.



7 87625-658 JULY 2003