

SUBJECT:

ENCLOSURE
FTV-4E & FTV-5E



INSTRUCTION SHEET

WARNING: ELECTRICAL SHOCK POTENTIAL !! DO NOT ATTEMPT TO INSTALL, MAINTAIN OR RELAMP WITHOUT DISCONNECTING ALL POWER. FAILURE TO DISCONNECT POWER CAN RESULT IN ELECTROCUTION, SHOCK OR SEVERE BURNS.

CAUTION: This fixture is designed for permanent installation in ordinary (Non-Hazardous) locations in accordance with the National Electrical Code and all applicable local codes. Do not use in areas of limited ventilation or in high ambient enclosures. The lamp and fixture operate at high temperatures, contact with combustible materials can cause fire and personal contact can cause severe burns.

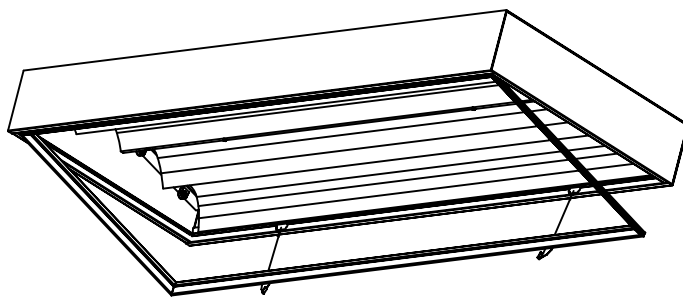
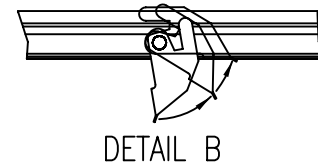
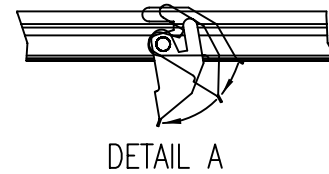
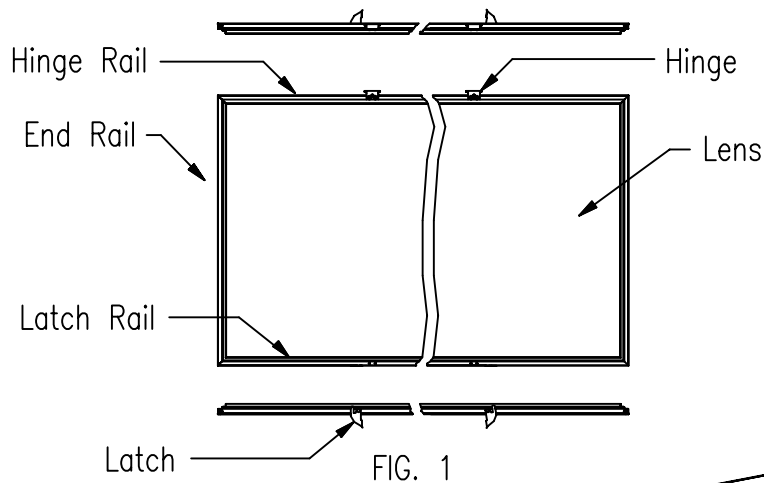
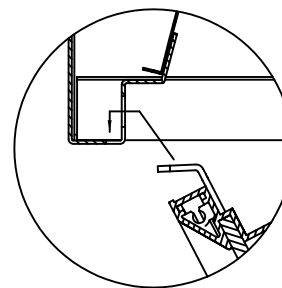
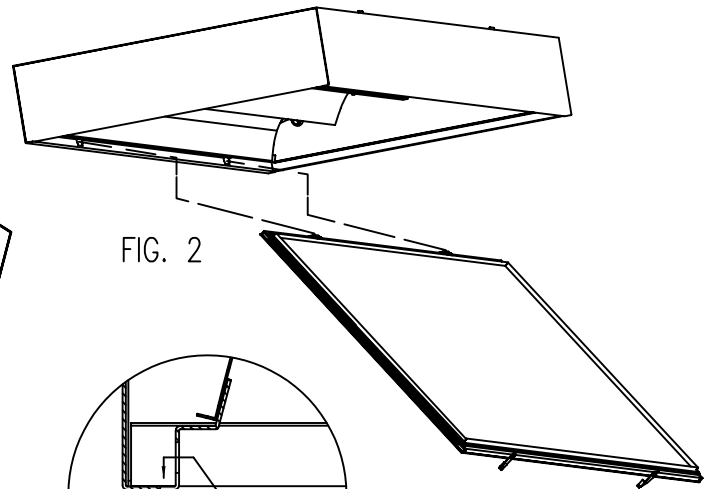


FIG. 3



DETAIL C

INSTALLATION

1. Remove enclosure from carton and inspect to insure no shipping damage has occurred.
2. Rotate Latches to the open position (Detail A).
3. Hold enclosure by the end rails (Fig.1) and insert hinges into the slots (Detail C) of the body.
4. Swing enclosure up to insert latches into opposite set of slots (Fig. 2) and rotate Latches to the closed position (Detail B).

FEBRUARY 2003

(FRONT)

7-87625-609