

SUBJECT:

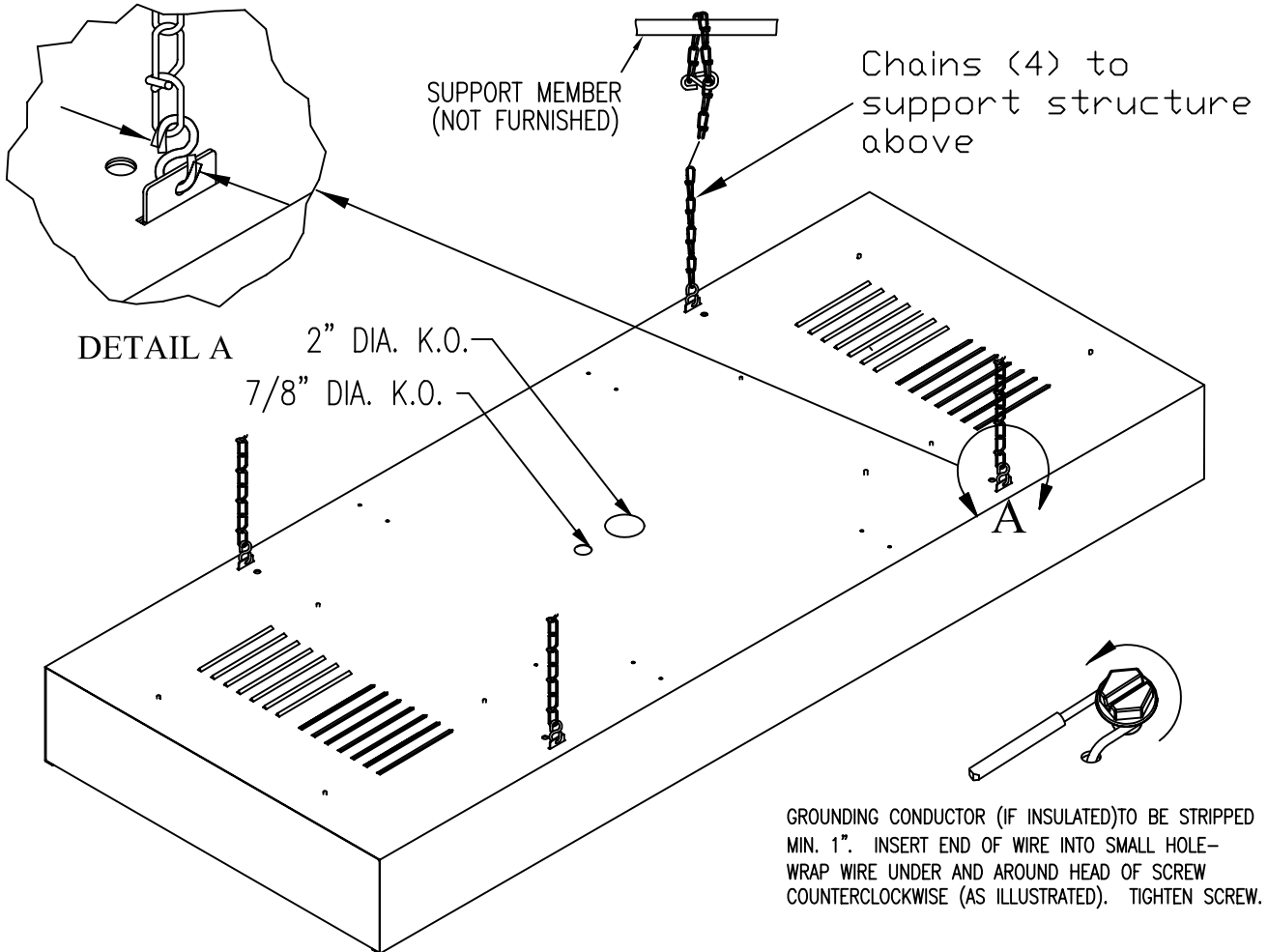
T5 HIGH BAY
"FTV" SERIES

 Day-Brite Lighting

INSTRUCTION SHEET

WARNING: ELECTRICAL SHOCK POTENTIAL !! DO NOT ATTEMPT TO INSTALL, MAINTAIN OR RELAMP WITHOUT DISCONNECTING ALL POWER. FAILURE TO DISCONNECT POWER CAN RESULT IN ELECTROCUTION, SHOCK OR SEVERE BURNS.

CAUTION: This fixture is designed for permanent installation in ordinary (Non-Hazardous) locations in accordance with the National Electrical Code and all applicable local codes. Do not use in areas of limited ventilation or in high ambient enclosures. The lamp and fixture operate at high temperatures, contact with combustible materials can cause fire and personal contact can cause severe burns.



CHAIN MOUNT:

1. Remove unit from carton and inspect to insure no shipping damage has occurred.
2. Locate bag containing chains and "S" hooks. Unit supplied with (4) 5' chains and (8) "S" hooks.
3. If unit is supplied with cord, fixture is ready for chain installation.
4. If unit is not supplied with cord it will be necessary to remove (2) reflectors by removing (2) reflector mounting screws (Fig. 1 back page) then connect a suitable length cord/conduit through the 7/8" K.O. on the back of the unit.
5. Replace (2) reflectors insuring that reflector is placed properly in body as illustrated in Detail B on back page.
6. Secure with (2) reflector mounting screws.

Installation:

7. Remove chains and "S" hooks from bag.
8. Attach "S" hooks into chain and squeeze "S" hook closed to secure chain (Detail A).
9. Attach opposite end of "S" hooks into tabs on top of body and squeeze "S" hook closed to secure chain (Detail A).
10. Attach chains to permanent structure of the building and secure by squeezing the "S" hook closed as illustrated above.
11. Insure that unit is level.
12. Make supply connections in accordance with all Local Codes and the National Electrical Code.

FEBRUARY 2003

(FRONT)

7-87625-606

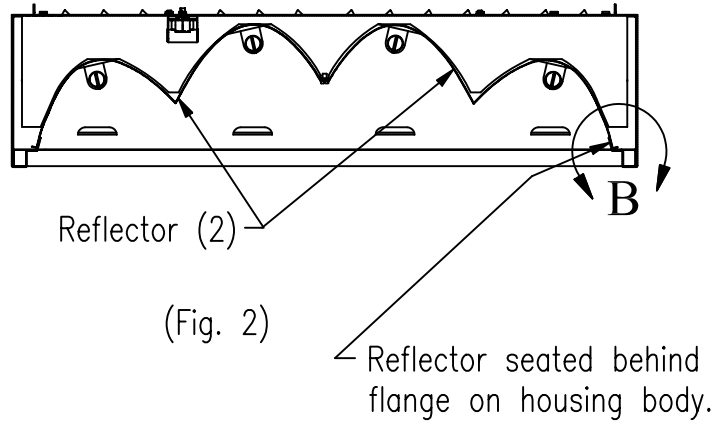
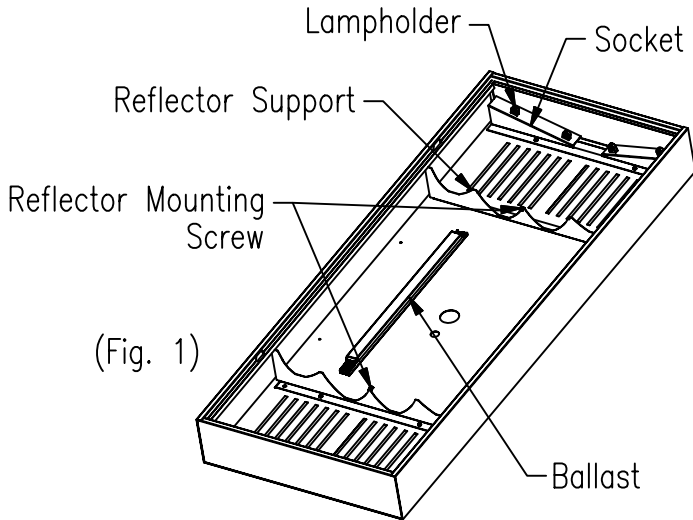
SUBJECT:

T5 HIGH BAY
"FTV" SERIES



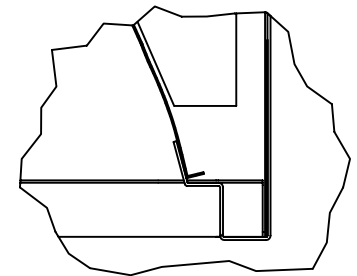
INSTRUCTION SHEET

CAUTION: THE INSTALLATION AND SERVICING OF THIS PRODUCT SHOULD BE PERFORMED BY A QUALIFIED ELECTRICIAN OR SERVICE PERSONNEL



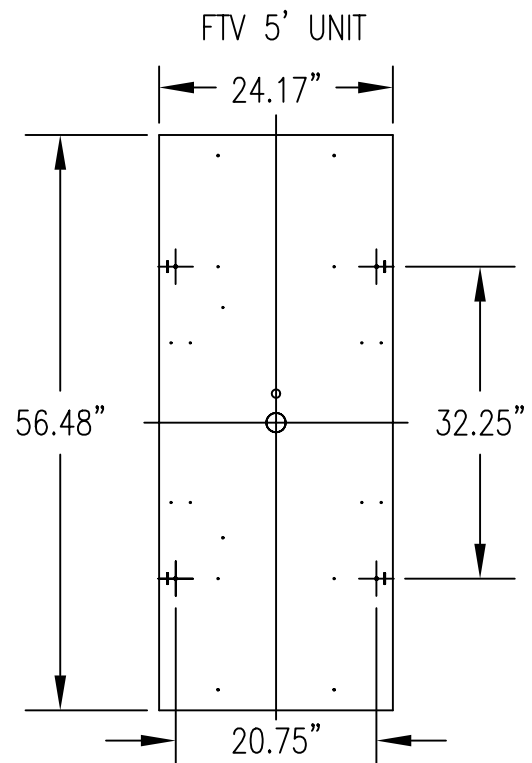
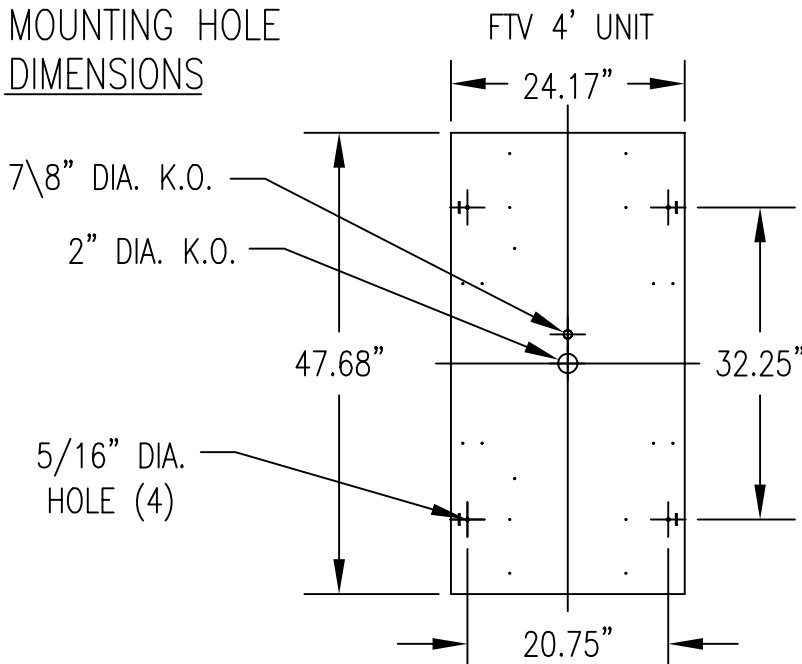
SURFACE MOUNT:

1. Remove unit from carton and inspect to insure no shipping damage has occurred.
2. Discard bag containing chains and "S" hooks.
3. Remove (2) reflectors by removing (2) reflector mounting screws (Fig. 1)
4. Knock out 2" K.O. in the center of the back on the housing.
5. Align supply wire hole with location of incoming supply wires.
6. Mount unit to ceiling using (4) mounting holes (dimensions shown below)
Use mounting hardware (by others) appropriate for ceiling material.
7. Make supply connections in accordance with all Local Codes and the National Electrical Code.
8. Replace (2) reflectors insuring that reflector is placed properly in body as illustrated in Detail B.
9. Secure with (2) reflector mounting screws.



DETAIL B

MOUNTING HOLE DIMENSIONS



FEBRUARY 2003

(BACK)

7-87625-606