

SUBJECT:

STAIRWELL FIXTURE



Day-Brite Lighting

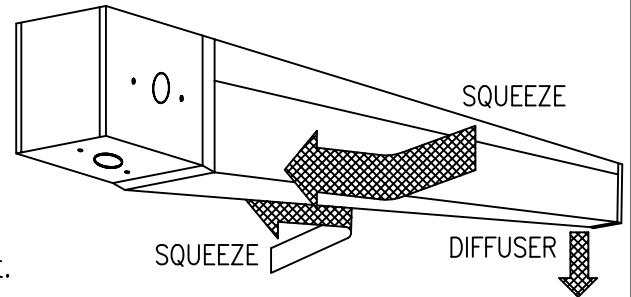
INSTRUCTION SHEET

WARNING: ELECTRICAL SHOCK POTENTIAL !! DO NOT ATTEMPT TO INSTALL, MAINTAIN OR RELAMP WITHOUT DISCONNECTING ALL POWER. FAILURE TO DISCONNECT POWER CAN RESULT IN ELECTROCUTION, SHOCK OR SEVERE BURNS.

CAUTION: This fixture is designed for permanent installation in ordinary (Non-Hazardous) locations in accordance with the National Electrical Code and all applicable local codes. Do not use in areas of limited ventilation or in high ambient enclosures. The lamp and fixture operate at high temperatures, contact with combustible materials can cause fire and personal contact can cause severe burns.

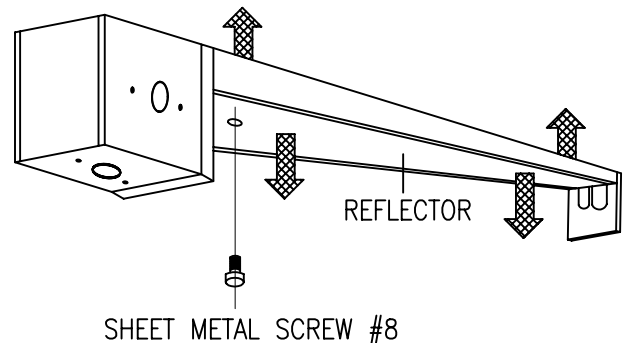
1. TO REMOVE DIFFUSER

- If optional wire guard is attached remove it first.
- Gently squeeze one end of the diffuser enough to clear body of rivet.
- Without letting go, pull diffuser towards face of fixture and slide diffuser into end plate and pass rivet.
- The opposite end of the diffuser will now be free of its end plate, allowing removal of diffuser.



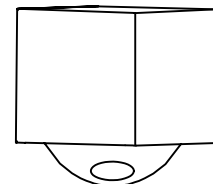
2. MOUNTING

- Remove diffuser (see instruction 1)
- Remove two screws from reflector. (#8 sheet metal screws)
- Remove reflector.
- Mounting holes are now open for installation.

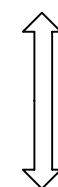


3. MOUNTING SENSOR

- Sensor should ALWAYS BE PLACED AT THE POSITION SHOWN TO THE RIGHT.



EITHER WALL OR CEILING MOUNTED



FLOOR

SAK

787625553