

SUBJECT:

"HBC" LUMINAIRE



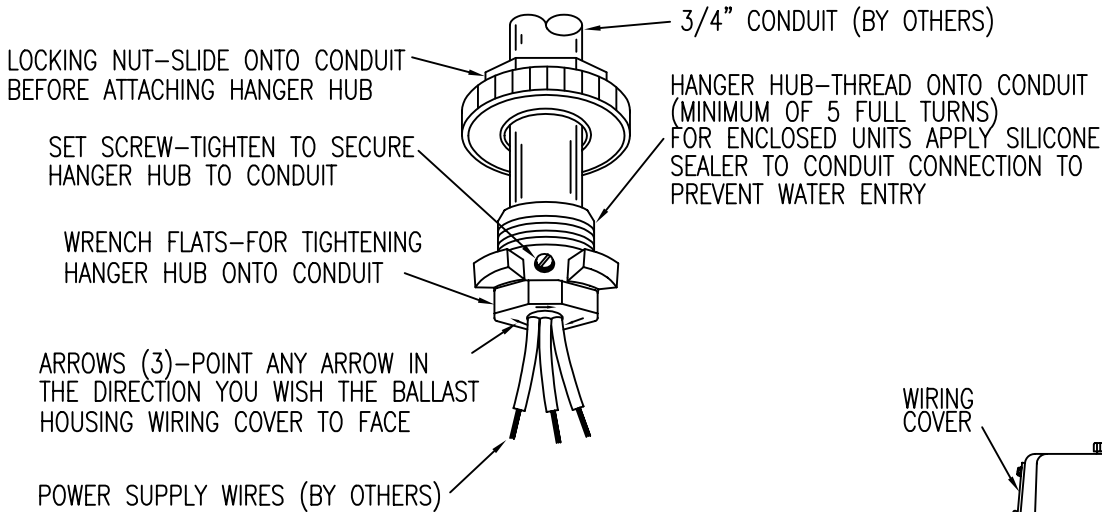
INSTRUCTION SHEET

WARNING: ELECTRICAL SHOCK POTENTIAL !! DO NOT ATTEMPT TO INSTALL, MAINTAIN OR RELAMP WITHOUT DISCONNECTING ALL POWER. FAILURE TO DISCONNECT POWER CAN RESULT IN ELECTROCUTION, SHOCK OR SEVERE BURNS.

CAUTION: This fixture is designed for permanent installation in ordinary (Non-Hazardous) locations in accordance with the National Electrical Code and all applicable local codes. Do not use in areas of limited ventilation or in high ambient enclosures. The lamp and fixture operate at high temperatures, contact with combustible materials can cause fire and personal contact can cause severe burns.

CAUTION: THE INSTALLATION AND SERVICING OF THIS PRODUCT SHOULD BE PERFORMED BY A QUALIFIED ELECTRICIAN OR SERVICE PERSONNEL

MOUNTING BALLAST HOUSING TO CONDUIT



- 1) LIFT BALLAST HOUSING ONTO THE HANGER HUB AND ROTATE 60° UNTIL SEATED ON HUB
- 2) TURN LOCKING NUT (HAND TIGHT) ONTO HANGER HUB TO SECURE BALLAST HOUSING

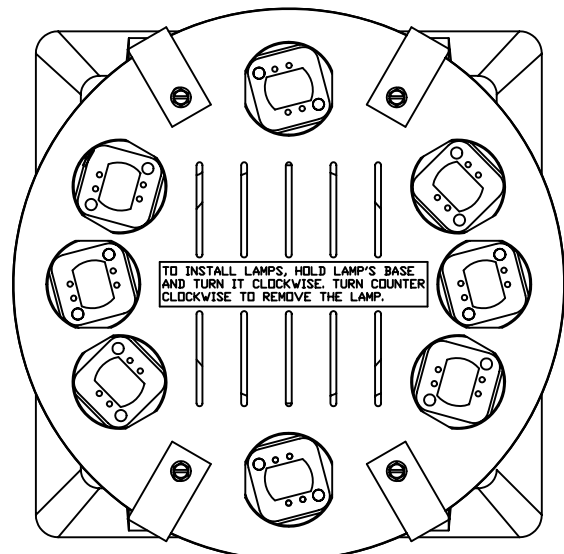
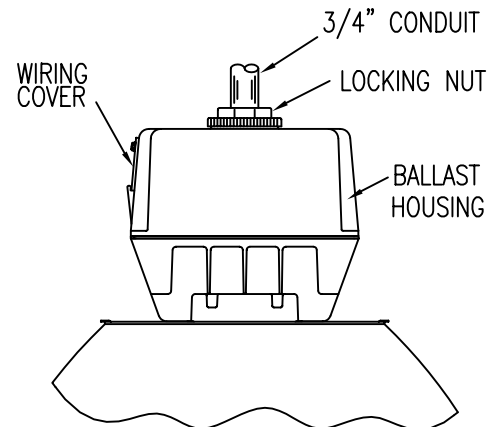
WARNING: LOCKING NUT MUST ENGAGE THREADS ON HANGER HUB AND AND BE HAND TIGHTENED TO INSURE THAT THE FIXTURE IS PROPERLY SEATED ON HUB

CAUTION: THE LOCKING NUT IS PROVIDED WITH WRENCH FLATS TO BE USED ONLY IF NECESSARY TO REMOVE NUT

- 3) REMOVE WIRING COVER AND MAKE SUPPLY CONNECTIONS (USE 90°C SUPPLY WIRE). LABELED SET OF BLACK AND WHITE LEADS ARE PROVIDED FOR MULTIPLE SWITCHING LEVELS FOR TWO LAMPS, FOUR LAMPS, SIX LAMPS, AND EIGHT LAMPS. AFTER MAKING NECESSARY SUPPLY CONNECTIONS ACCORDING TO NEC CODES, REPLACE WIRING COVER.

LAMPING AND RE-LAMPING INSTRUCTIONS

- 1) IF UNIT IS EQUIPPED WITH BOTTOM ENCLOSURE, REMOVE THE ENCLOSURE TO ACCESS LAMP SOCKETS.
- 2) HOLD LAMP BY ITS BASE AND PLACE IT INTO A LAMP SOCKET THEN TURN IT CLOCKWISE TO LOCK IT IN PLACE.
CAUTION: DO NOT HOLD LAMPS AT GLASS TUBES WHEN INSTALLING OR REMOVING AS BREAKAGE COULD OCCUR.
- 3) TO REMOVE A LAMP, HOLD LAMP'S BASE THEN TURN IT COUNTERCLOCKWISE TO REMOVE THE LAMP.
- 4) REPLACE BOTTOM ENCLOSURE IF UNIT IS SO EQUIPPED.



INSIDE BOTTOM VIEW WITHOUT A REFLECTOR
THIS VIEW MAY VARY FOR DIFFERENT UNITS

January 2001

7 87625-376