

SUBJECT:
MINI FLOODLIGHT
Cat. No. "FSN"

 **Day-Brite Lighting**
a Genlyte company
INSTRUCTION SHEET

WARNING: ELECTRICAL SHOCK POTENTIAL !! DO NOT ATTEMPT TO INSTALL, MAINTAIN OR RELAMP WITHOUT DISCONNECTING ALL POWER. FAILURE TO DISCONNECT POWER CAN RESULT IN ELECTROCUTION, SHOCK OR SEVERE BURNS.

CAUTION: This fixture is designed for permanent installation in ordinary (Non-Hazardous) locations in accordance with the National Electrical Code and all applicable local codes. Do not use in areas of limited ventilation or in high ambient enclosures. The lamp and fixture operate at high temperatures, contact with combustible materials can cause fire and personal contact can cause severe burns.

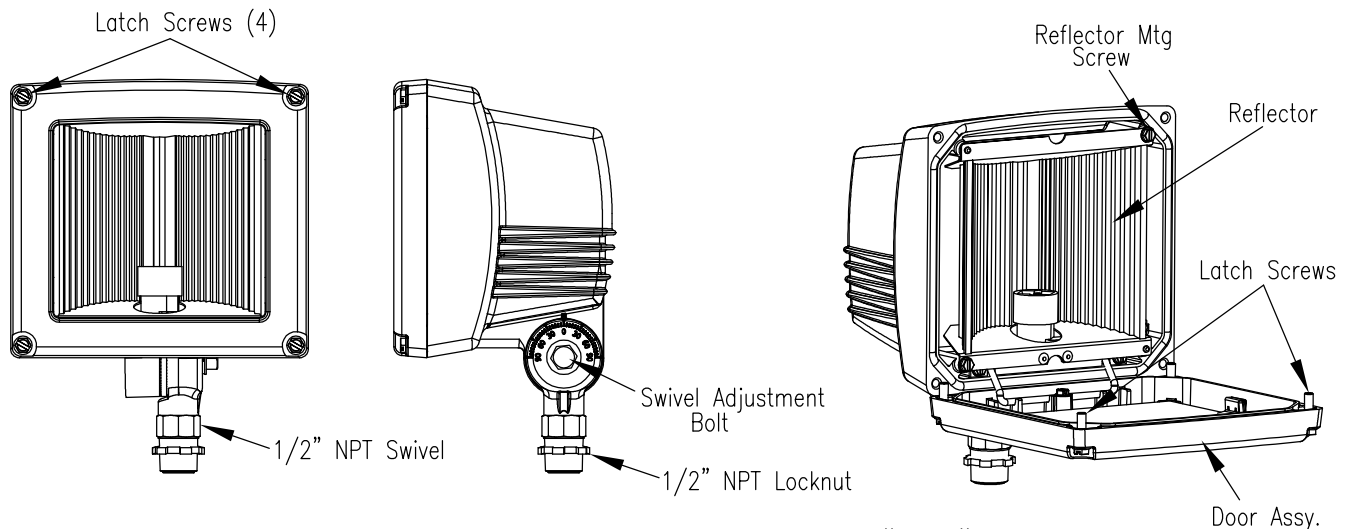


FIG. 1

"FSN" UNIT WITH
STANDARD (WIDE DIST.) REFLECTOR

This unit comes equipped with a 1/2" NPT male swivel arm that threads into a "PTF" pole top fitter, a "CAM" cross arm fitting and/or 1/2" NPT threaded hub. Use a wrench on the flat area of the swivel stud to secure floodlight. Use 1/2" locknut to lock in desired position. Never use floodlight for leverage to tighten swivel as this may damage swivel arm and affect seal.

INSTALLATION

- 1) Insure power supply is off.
- 2) Apply sealing compound to swivel arm thread to provide water tight seal.
- 3) Thread swivel arm into selected wiring device.
- 4) Wire fixture to power supply in accordance with The National Electrical Code and all applicable local code requirements.
- 5) **WARNING:** To prevent electrical shock, connect green ground lead of fixture to ground conductor of supply.

LAMP INSTALLATION

- 1) Insure power supply is off.
- 2) Loosen (4) latch screws and open door assembly.(FIG.1)
- 3) Install lamp - Refer to Lamp Type Label on fixture.
- 4) Close door frame assembly and secure with (4) captive screws.

(Continued on back)

FRONT

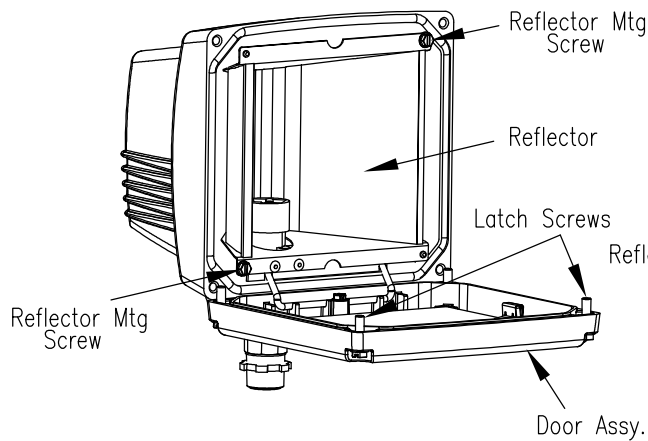
03/23/2007

7-16393-101

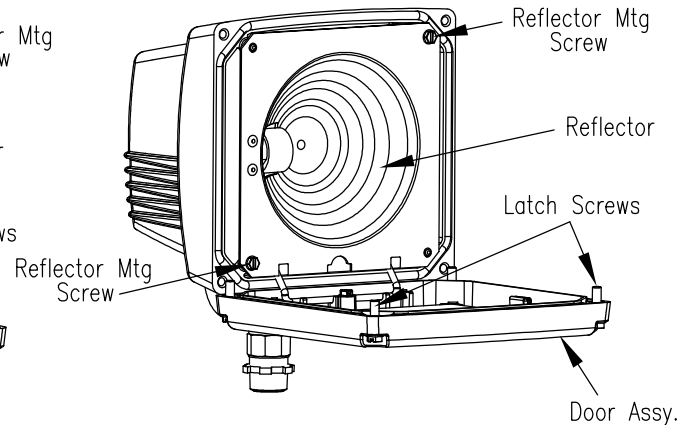
SUBJECT:
MINI FLOODLIGHT
Cat. No. "FSN"

 **Day-Brite Lighting**
a Genlyte company
INSTRUCTION SHEET

CAUTION: THE INSTALLATION AND SERVICING OF THIS PRODUCT SHOULD BE PERFORMED BY A QUALIFIED ELECTRICIAN OR SERVICE PERSONNEL



"FSN" UNIT WITH
ASYMMETRIC (ASM) REFLECTOR



"FSN" UNIT WITH
SPOT (NHP) REFLECTOR

FLOODLIGHT AIMING:

VERTICAL AIMING: Loosen the swivel adjustment bolt (Fig 1) and rotate unit to desired position. Re-tighten swivel adjustment bolt to secure in desired location.

HORIZONTAL AIMING: Thread 1/2" NPT locknut completely onto swivel arm. Thread swivel arm into selected wiring device so that the floodlight is in desired position. Secure with locknut.

REFLECTOR BEAM DISTRIBUTION:

Any of the Mini Flood reflectors may be rotated 90°, 180° or 270° to provide the desired beam spread distribution.

- 1) Loosen (4) latch screws and open door assembly.(FIG.1)
- 2) Remove the (2) reflector mounting screws and rotate reflector to desired position. Replace (2) reflector mounting screws.

CAUTION: THERE IS AN INSULATION PAD LOCATED UNDER THE REFLECTOR – DO NOT REMOVE!

- 3) Close door frame assembly and secure with (4) captive screws.

**SPECIAL INSTRUCTION TO PREVENT WATER COLLECTION INSIDE FIXTURE

Contractor shall drill (1) 1/4" dia. weep hole at the lowest gravity point of the fixture when it is installed.

CAUTION: Remove reflector and insulation to insure no internal damage to components when drilling.